



# R e m o t e a i r v a l v e s

## Individual mounting

Inline	
--------	--

## Manifold mounting

stacking	
----------	--

Series

**1100**

**55**

**56**

**57**

**58**

**59**

**700**

**900**

**82**

**6300**

**6500**

**6600**

**2700**

**1800**

**ISO 1**

**ISO 2**

**ISO 3**



# R e m o t e a i r v a l v e s

Function	Port size	Flow (Max)	Individual mounting	Series
<b>4/2</b>	<b>1/8" - 1/4"</b>	<b>1.4 C<sub>v</sub></b>	Inline	

### OPERATIONAL BENEFITS

1. Balanced spool, immune to variations of pressure.
2. Short stroke with high flow.
3. The piston (booster) provides maximum shifting forces.
4. Powerful return thanks to the combination of mechanical and air springs.
5. Bonded spool with minimum friction, shifting in a glass-like finished bore.
6. Wiping effect eliminates sticking.
7. Low leakage rate.



1100  
55  
56  
57  
58  
59

### HOW TO ORDER

Port size	Single operator	Double operator
<b>1/8" NPTF</b>	911B-RA	921B-RA
<b>1/4" NPTF</b>	912B-RA	922B-RA

700  
900

Air pilot port : 1/8" NPTF.

82  
6300  
6500  
6600  
2700  
1800  
ISO 1  
ISO 2  
ISO 3

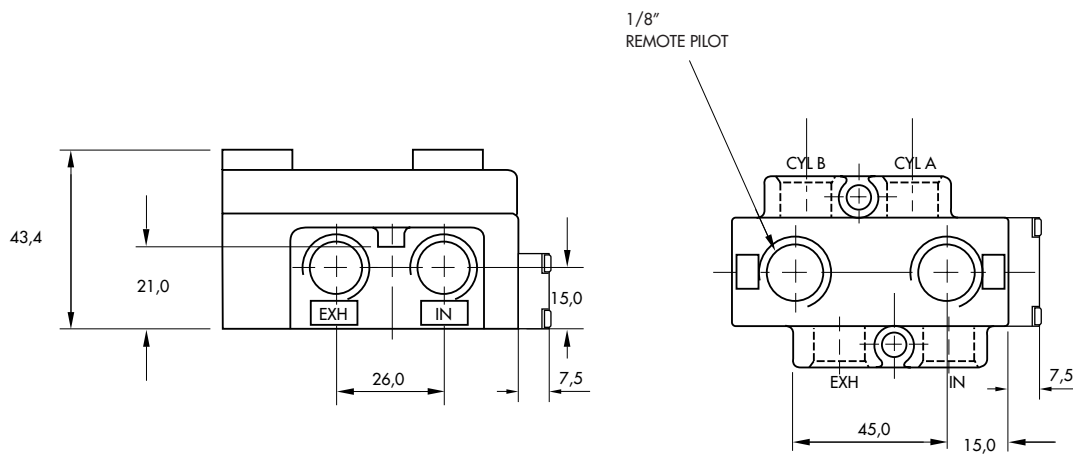
**TECHNICAL DATA**

<b>Fluid :</b>	Compressed air, vacuum, inert gases
<b>Pressure range :</b>	Vacuum to 150 PSI
<b>Air signal pressure :</b>	Single operator : 25 to 150 PSI $\geq$ main valve pressure Double operator : 10 to 150 PSI
<b>Lubrication :</b>	Not required, if used select a medium aniline point lubricant (between 180°F to 210°F)
<b>Filtration :</b>	40 $\mu$
<b>Temperature range :</b>	0°F to 120°F (-18°C to 50°C)
<b>Flow (at 6 bar, <math>\Delta P=1</math>bar) :</b>	1/8" : (0.8 C <sub>v</sub> ), 1/4" : (1.2 C <sub>v</sub> )

- Spare parts :      • Remote air operator (single operator) : R-09002-01. • Remote air operator ( double operator) : R-09002-02.
- Options :            • BSPP threads.

**DIMENSIONS**

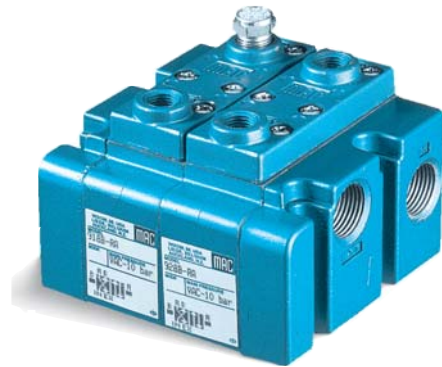
Dimensions shown are metric (mm)



Function	Port size	Flow (Max)	Manifold mounting	Series
<b>4/2</b>	<b>1/8" - 1/4"</b>	<b>1.4 C<sub>v</sub></b>	stacking	

**OPERATIONAL BENEFITS**

1. Balanced spool, immune to variations of pressure.
2. Short stroke with high flow.
3. The piston (booster) provides maximum shifting forces.
4. Powerful return thanks to the combination of mechanical and air springs.
5. Bonded spool with minimum friction, shifting in a glass-like finished bore.
6. Wiping effect eliminates sticking.
7. Low leakage rate.



1100

55

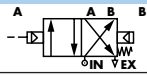
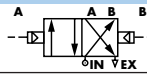
56

57

58

59

**HOW TO ORDER**

Port size	Single operator	Double operator
		
<b>1/8" NPTF</b>	913B-RA	923B-RA
<b>1/4" NPTF</b>	914B-RA	924B-RA

700

900

Air pilot port : 1/8" NPTF.  
Manifold fastening kit (3/8" NPTF) : M-09001-01.

82

6300

6500

6600

2700

1800

ISO 1

ISO 2

ISO 3

**TECHNICAL DATA**

<b>Fluid :</b>	Compressed air, vacuum, inert gases
<b>Pressure range :</b>	Vacuum to 150 PSI
<b>Air signal pressure :</b>	Single operator : 25 to 150 PSI $\geq$ main valve pressure Double operator : 10 to 150 PSI
<b>Lubrication :</b>	Not required, if used select a medium aniline point lubricant (between 180°F to 210°F)
<b>Filtration :</b>	40 $\mu$
<b>Temperature range :</b>	0°F to 120°F (-18°C to 50°C)
<b>Flow (at 6 bar, <math>\Delta P=1</math>bar) :</b>	1/8" : (0.8 C <sub>v</sub> ), 1/4" : (1.2 C <sub>v</sub> )
<b>Leak rate :</b>	100 cm <sup>3</sup> /min

Spare parts :      • Remote air operator (single operator) : R-09002-01. • Remote air operator (double operator) : R-09002-02.  
                              • Pressure seal between valves : 16358. • Tie-rod (x2) : 19615.

Options :            • BSPP threads.

**DIMENSIONS**

Dimensions shown are metric (mm)

