

Specifications

83 Series Valve

Fluids:

Compressed air or inert gases

Lubrication:

Not required. If used, select a medium aniline point lubricant (between 180° and 210°F)

Safe Operating Temperature Range:

0°F to 120°F (-18°C to 50°C)

Pressure Range:

Main Valve:	Vacuum to 120 PSI (External pilot) 20 to 120 PSI (Internal pilot) 35 to 120 PSI (Internal pilot and memory spring) 30 to 120 PSI (3 Position)
External pilot:	20 to 120 PSI 35 to 120 PSI (Memory spring) 30 to 120 PSI (3 Position)
Single remote air:	Same as above 35 to 60 PSI (Remote pilot signal - This signal is independent of the main valve or pilot valve pressure)
Double Remote:	20 to 120 PSI

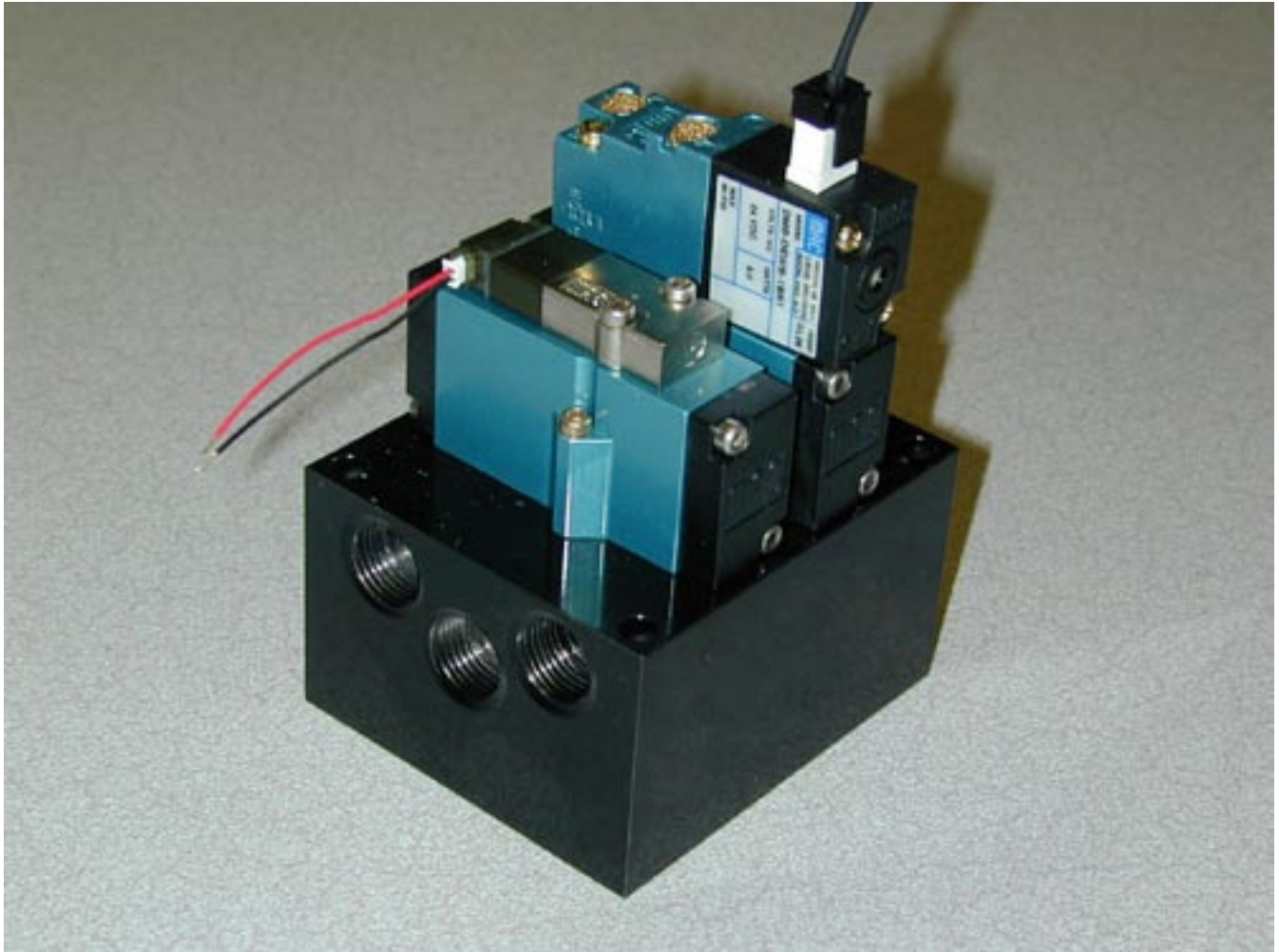
Note: Ext. pilot or double remote signal pressure must be equal to or greater than main valve pressure

Flow:

Cv = 1.5 (2 Position)

Cv = 1.1 (3 Position)

MAC 83 Series



How to Order 83 Series

83A - X X X - XX-XXXX-XXX

Pilot Valve Model Numbering

Spool Type

- 0 Base Only
- A Sgl. Oper. Sgl. Press.
- B Dbl. Oper. Sgl. Press.
- C Sgl. Oper. Dual Press.
- D Dbl. Oper. Dual Press.
- E 3 Pos. Closed Center
- F 3 Pos. Open Center
- G 3 Pos. Dual Press.,
Press. Center
- M Sgl. Oper. Sgl. Press.
w/ memory spring
- N Sgl. Oper. Dual Press.
w/ memory spring

Pilot Air Options

- A Internal Pilot
- B Internal Pilot Dual Press
supply from #5 port
- D Ext. Pilot from 14 End
- E Ext. Pilot from 12 End

Base Port Size and Thread Type

- 0 Valve Only

Side Cyl. Ports

- A 1/4 NPTF
- B 3/8 NPTF
- C 1/4 BSPPL
- D 3/8 BSPPL
- E 1/4 BSPTR
- F 3/8 BSPTR

Bottom Cyl. Ports

- G 1/4" NPTF
- H 1/4" BSPPL
- J 1/4" BSPTR

How to Order Pilot Valve Options For 83 Series (Sgl. Operators) (Partial Listing)

DM-D XX X - X XX

Voltage		Wire Length		Manual Operator		Electrical Connection	
JA	110/50, 120/60 (2.9W)	A	18"	1	Recessed Non-Locking Operator	KA	Square Connector
JB	220/50, 240/60 (2.9W)	B	24"			KD	Square Connector with Light
JC	24/60 (2.9W)	J*	6"	2	Recessed Locking Operator	JB	Rectangular Connector
FB	24 VDC (1.8W)					JD	Rectangular Connector with Light
DA	24 VDC (5.4W)					BA	Flying Leads
DF	24 VDC (12.7W)						

* For use with "J" & "K" type connectors

GM-G XX X - X XX

Voltage		Wire Length		Manual Operator		Electrical Connection	
DC	24 VDC (1.8W)	A	18"	1	Recessed Non-Locking Operator	BA	Flying Leads
DD	24 VDC (2.5W)	B	24"			BT	Flying Leads with Light
DF	24 VDC (4.0W)	C	36"	2	Recessed Locking Operator	KA	Solenoid Plug-In Wire Assembly
						KT	Solenoid Plug-In Wire Assembly with Light
						GA	MAC JAC Solenoid Plug-In Wire Assembly

RM-R XX X - X XX

Voltage		Wire Length		Manual Operator		Electrical Connection	
DC	24 VDC (1.8W)	A	18"	1	Recessed Non-Locking Operator	BA	Flying Leads
DD	24 VDC (2.5W)	B	24"			RA	Mini JAC Solenoid Plug-In
DF	24 VDC (4.0W)	C	36"	3	Extended Non Locking Operator	RB	Mini JAC Solenoid Plug-In with LED
DJ	12 VDC (1.8W)					TA	JST Solenoid Plug-In
DK	12 VDC (2.5W)					TB	JST Solenoid Plug-In w/ LED
DM	12 VDC (4.0W)						

DM-RA1 X (For Single Remote Air Operator)

Pilot Port Size and Thread Type	
1	1/8" NPTF
4	1/8" BSPPL
5	1/8" BSPRT

How to Order Pilot Valve Options For 83 Series (Dbl. Operators) (Partial Listing)

TM-D XX X - X XX

Voltage		Wire Length		Manual Operator		Electrical Connection	
AA	110/50, 120/60	A	18"	1	Recessed Non-Locking Operator	KA	Square Connector
AB	220/50, 240/60	B	24"			KD	Square Connector with Light
AC	24/60	J*	6"	2	Recessed Locking Operator	JB	Rectangular Connector
FB	24 VDC (1.8W)					JD	Rectangular Connector with Light
DA	24 VDC (5.4W)					BA	Flying Leads
DF	24 VDC (12.7W)						

* For use with "J" & "K" type connectors

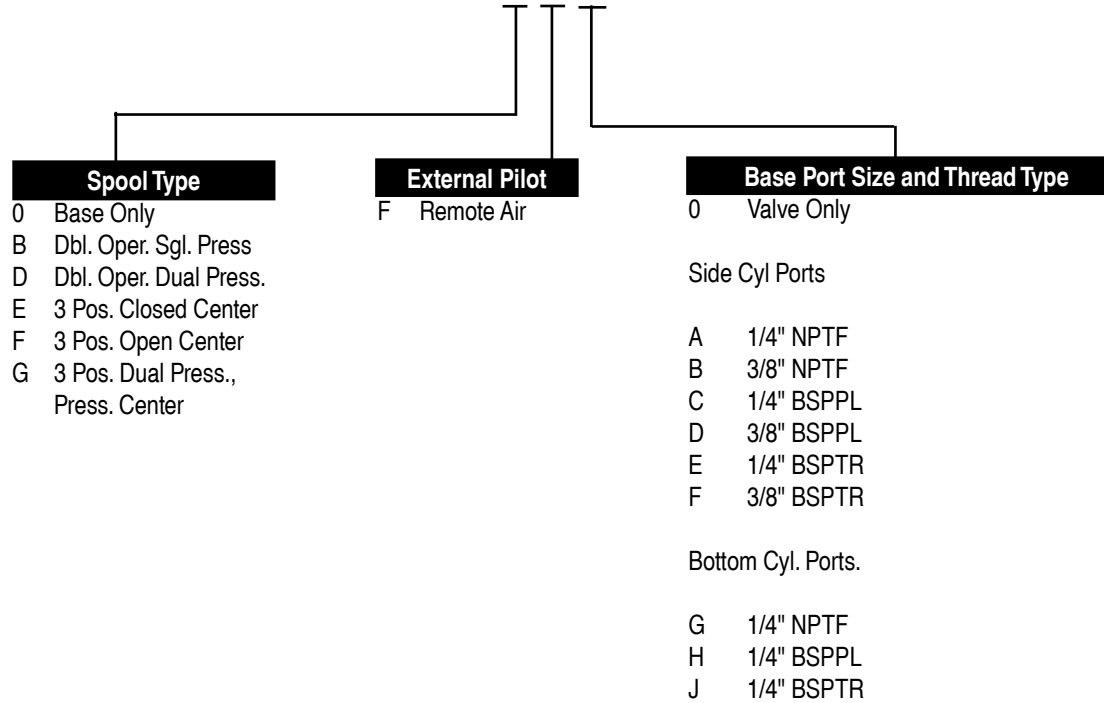
RM-R XX X - X XX

Voltage		Wire Length		Manual Operator		Electrical Connection	
DA	24 VDC (0.5w)	0*	No lead wire	0	No Operator	BA	Flying Leads
DB	24 VDC (1.0w)	A	18"	1	Recessed Non-Locking Operator	BB	Flying Leads w/ LED
DC	24 VDC (1.8W)	B	24"			BC	Flying Leads w/ MOV
DD	24 VDC (2.5W)	C	36"	3	Extended Non Locking Operator	BD	Flying Leads w/ LED and MOV
DE	24 VDC (3.0w)	D	48"				
DF	24 VDC (4.0W)	E	72"			RA	Mini JAC Solenoid Plug-In
		F	96"			RB	Mini JAC Solenoid Plug-In with LED
DG	12 VDC (0.5w)	G	120"			RC	Mini JAC Solenoid Plug-In with MOV
DH	12 VDC (1.0w)	H	144"			RD	Mini JAC Solenoid Plug-In with LED and MOV
DJ	12 VDC (1.8W)						
DK	12 VDC (2.5W)					TA	JST Solenoid Plug-In
DL	12 VDC (3.0w)					TB	JST Solenoid Plug-In w/ LED
DM	12 VDC (4.0W)					TC	JST Solenoid Plug-In w/ MOV
						TD	JST Solenoid Plug-In w/ LED and MOV

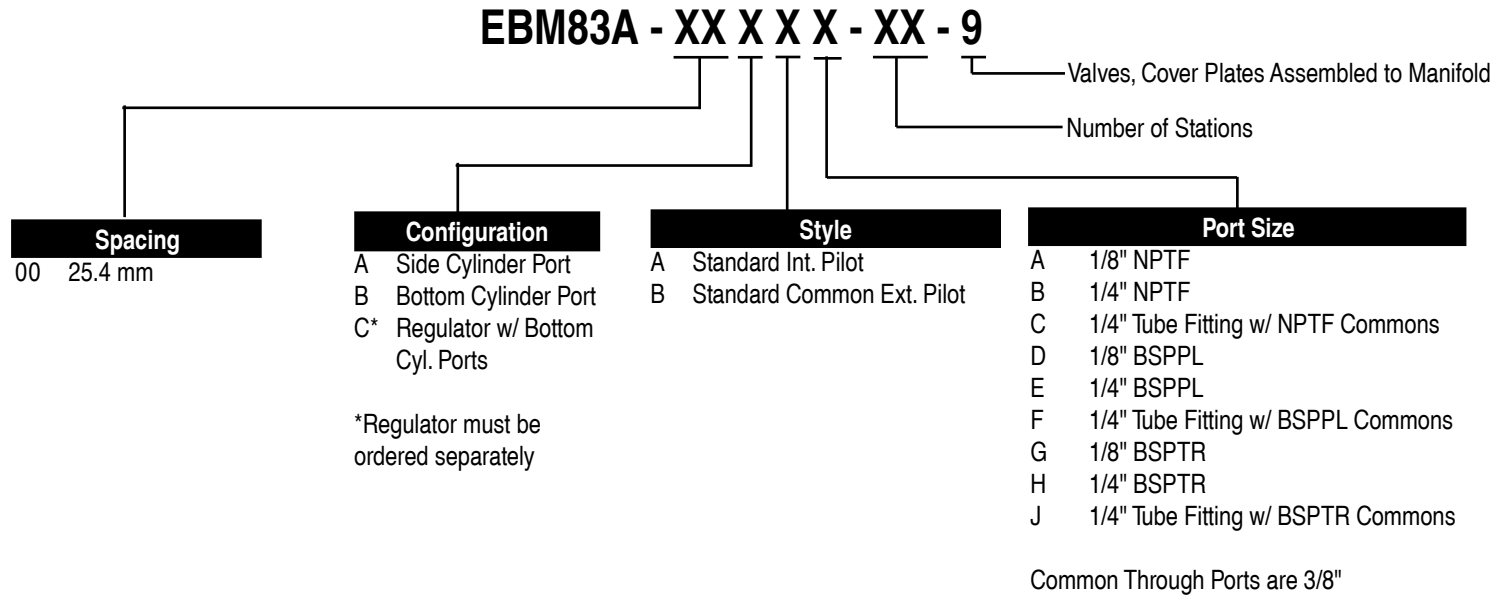
*Not available for flying leads connector

How to Order 83 Series Double Remote Air

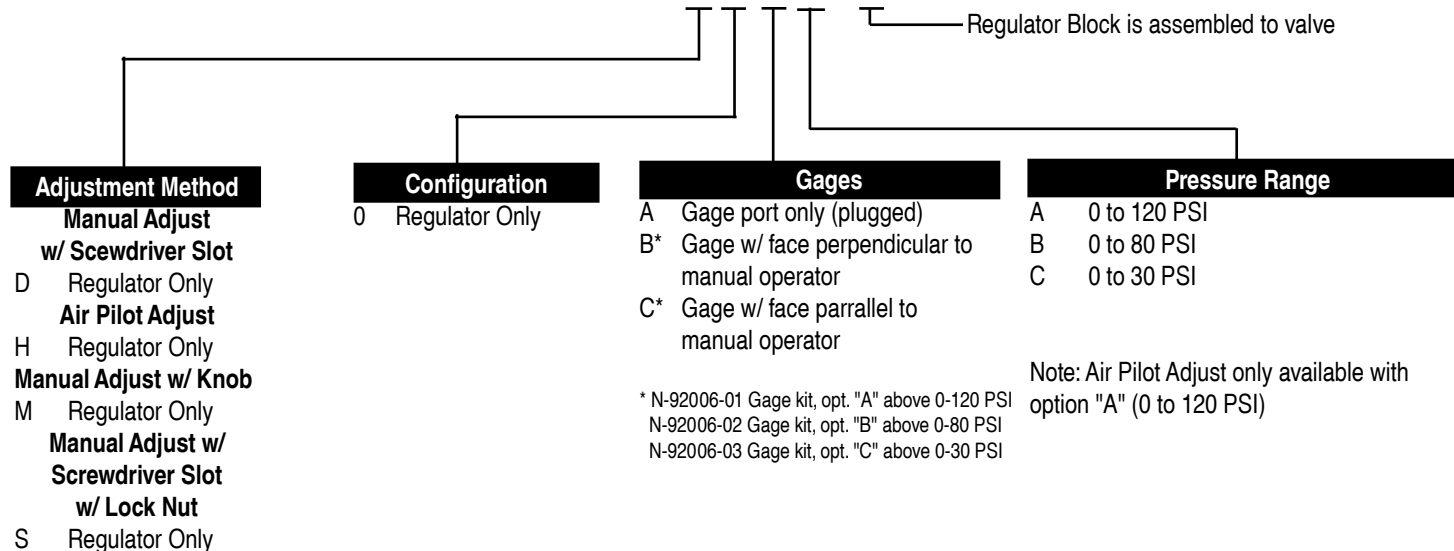
83A - X X X - RA

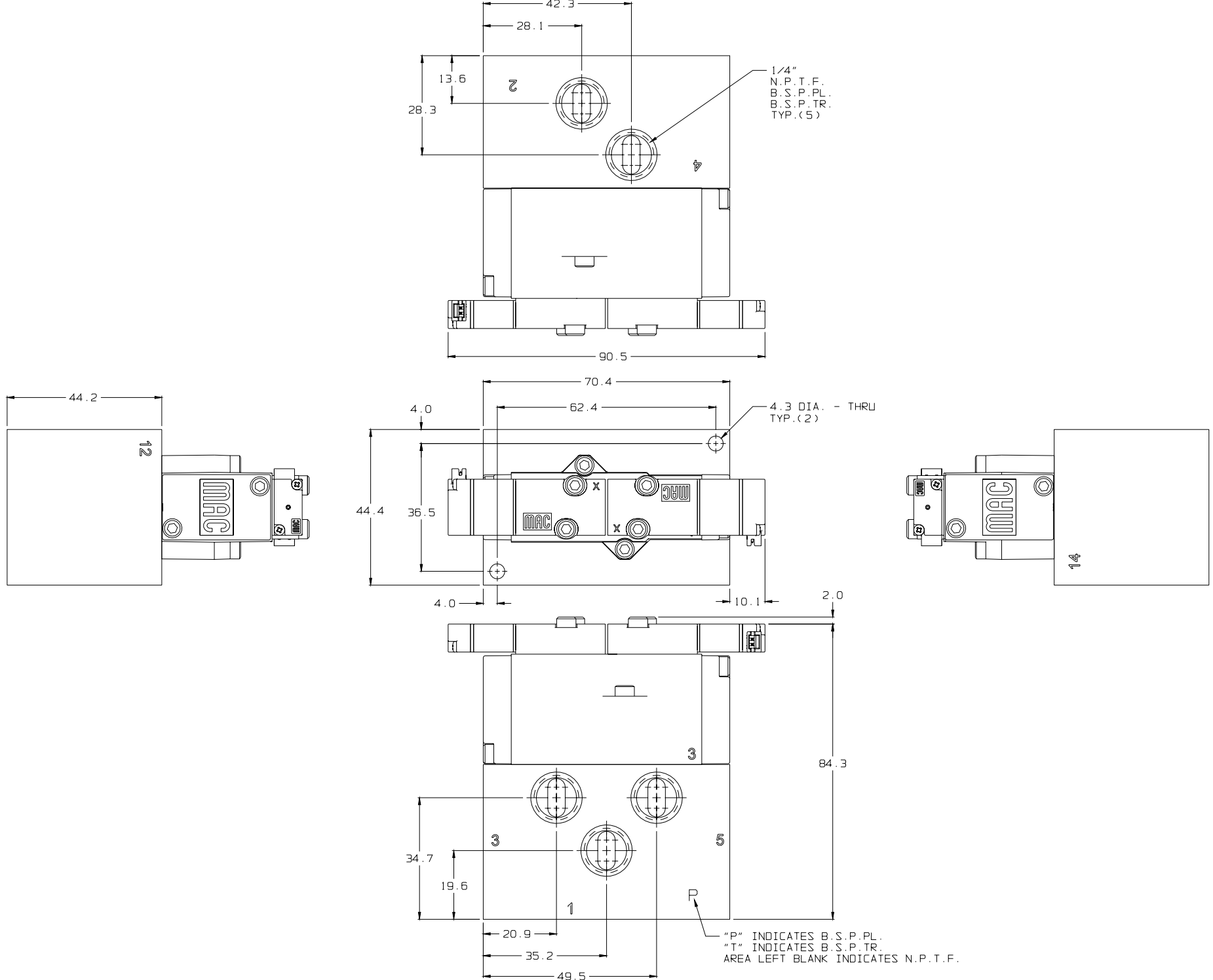


How to Order 83 Series EBM Circuit Bar

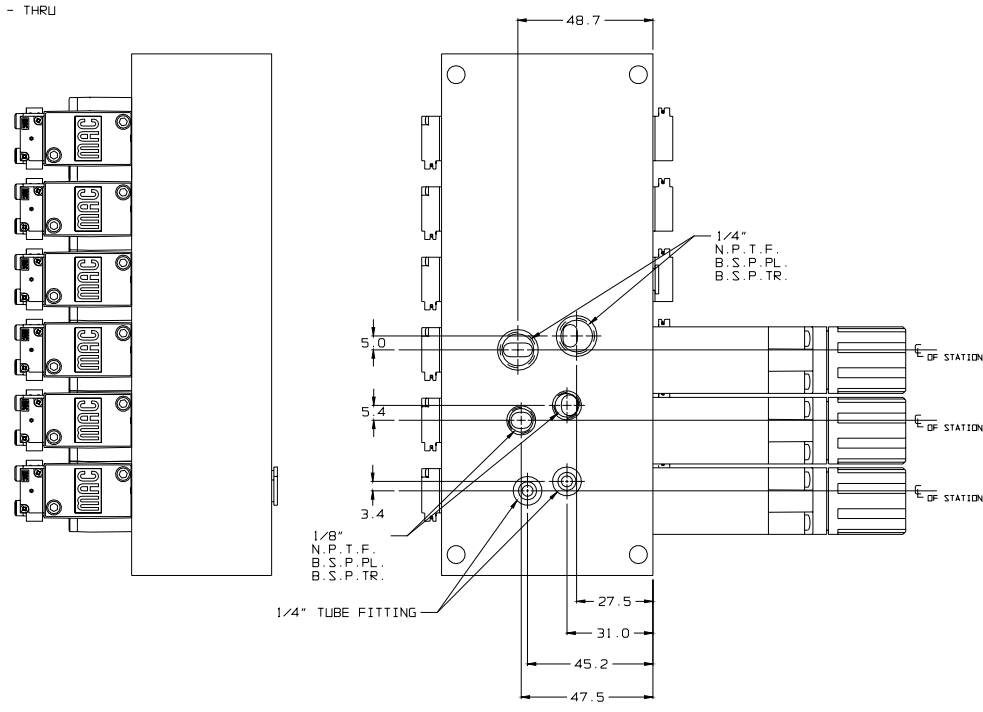
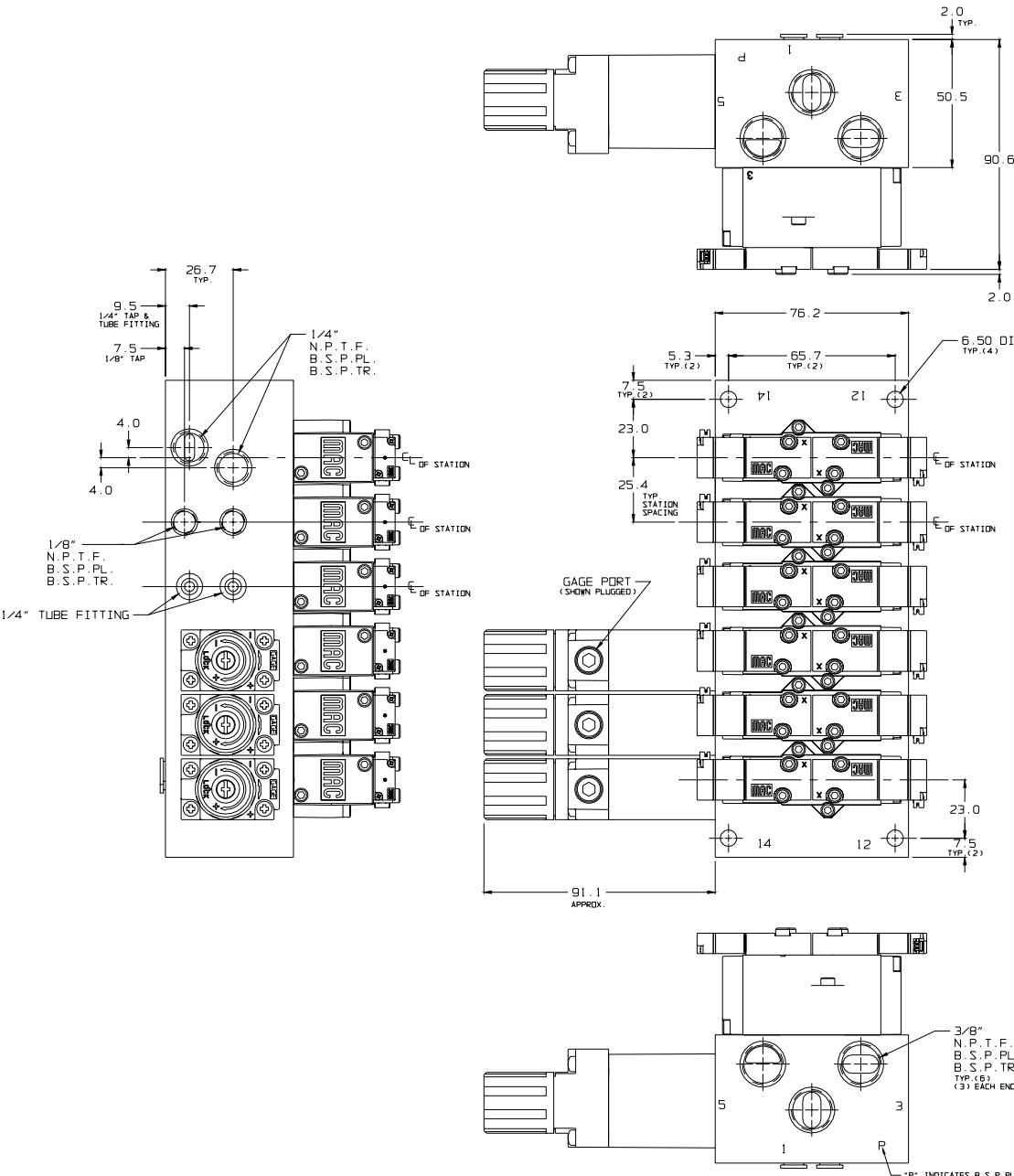


How to Order Regulator PR92C - X X X X - 9



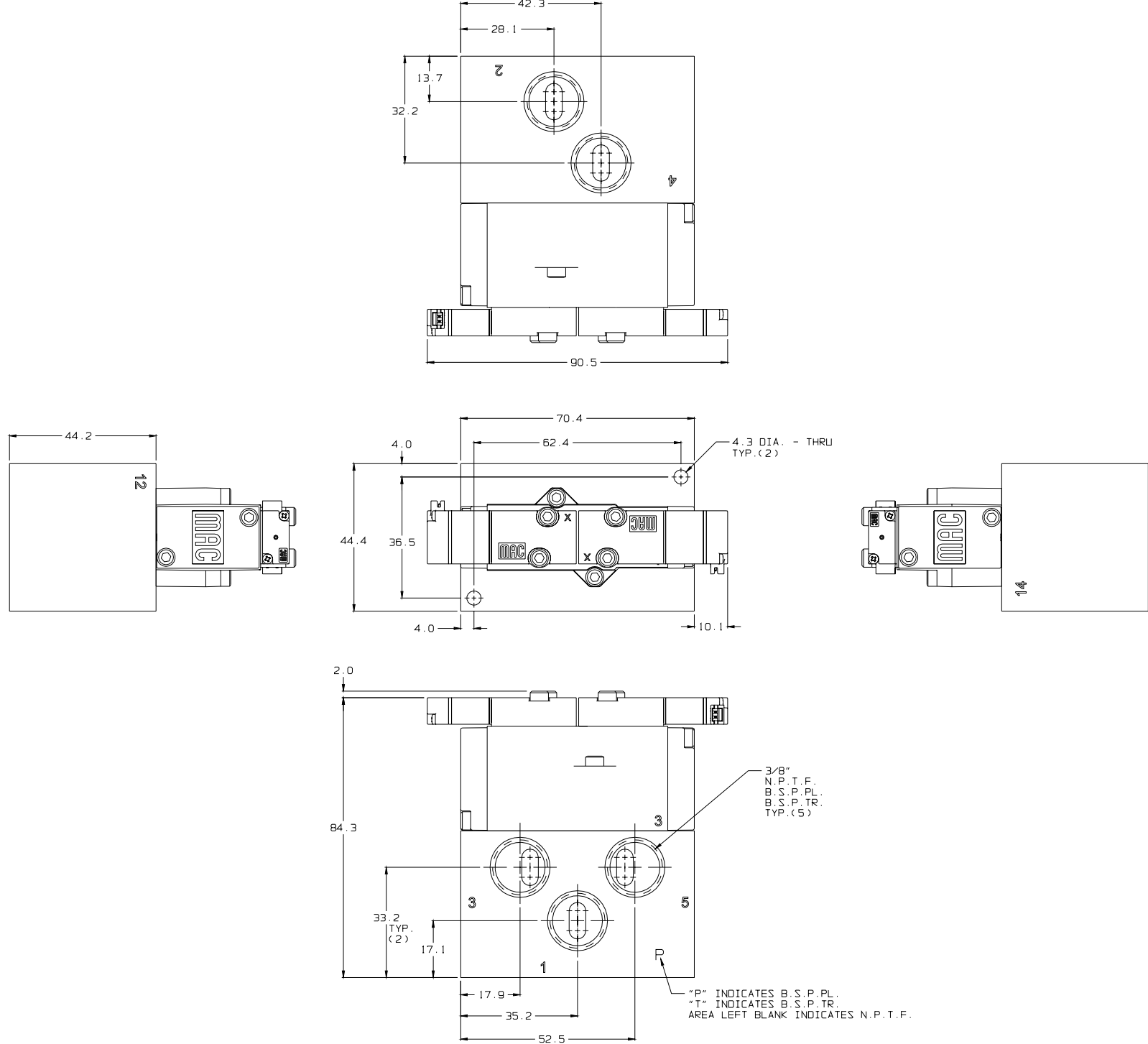


83 Series Individual Base
1/4" Side Ports (shown w/ RM3 Pilots)

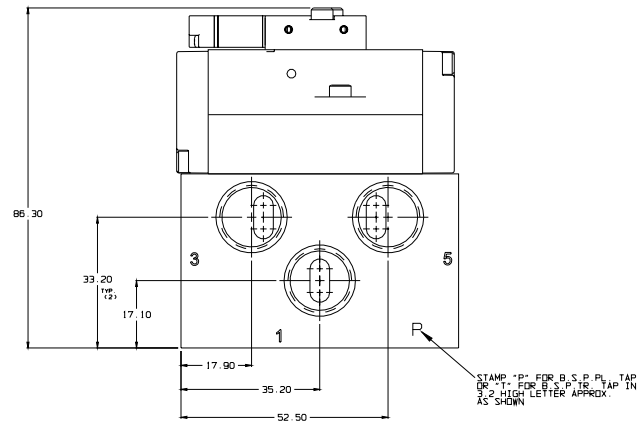
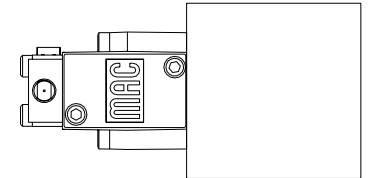
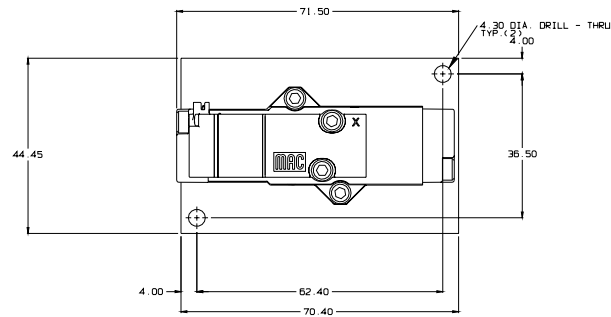
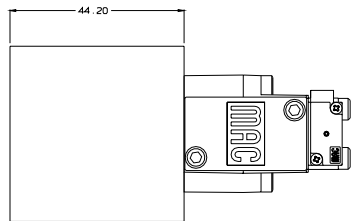
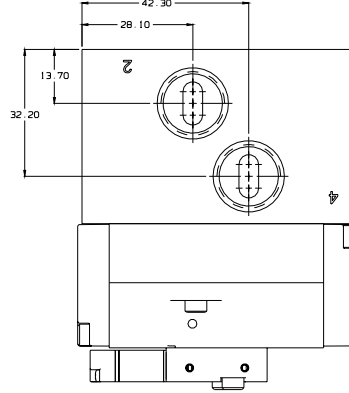


83 Series EBM Circuit Bar (non plug-in)

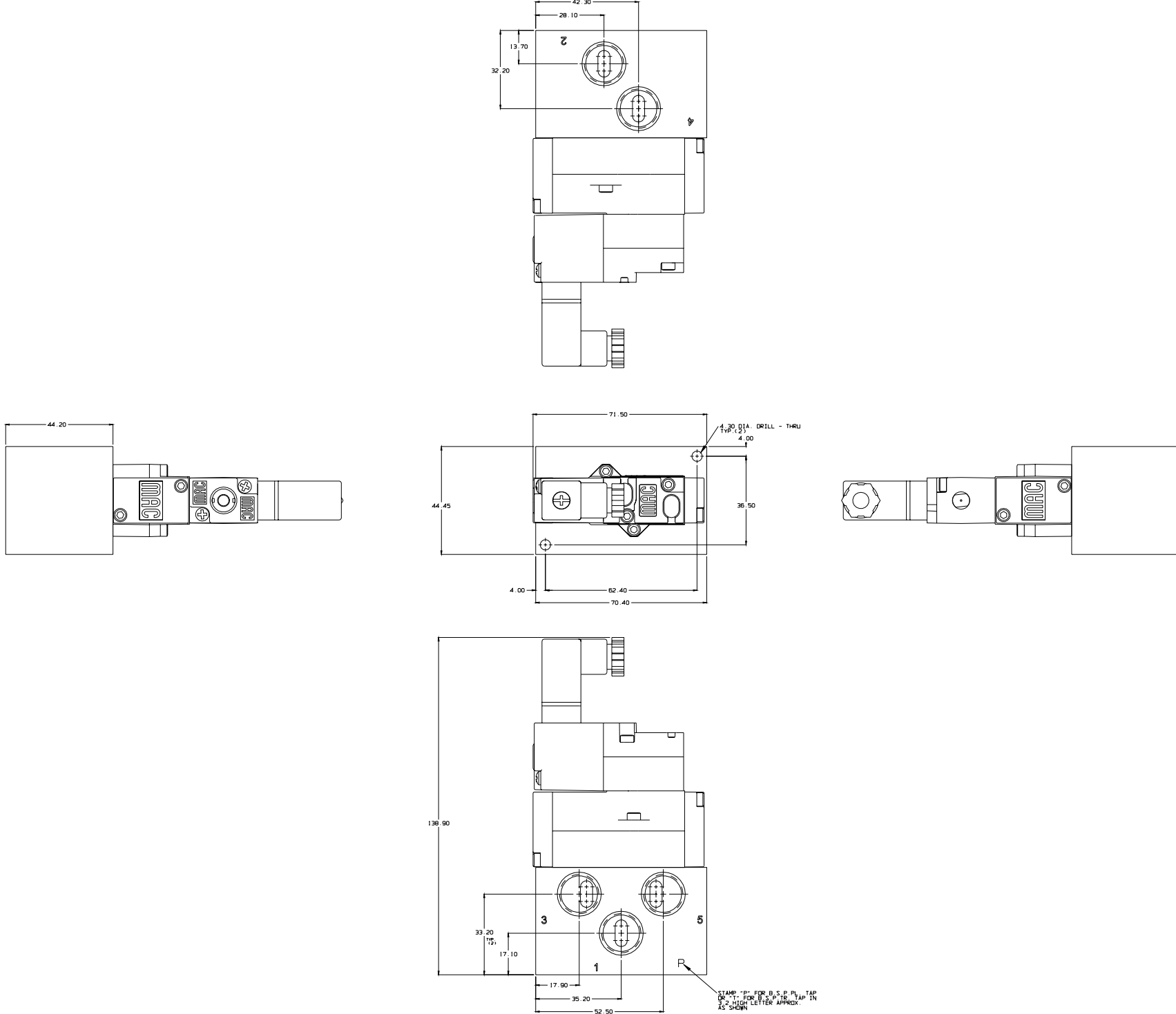
P INDICATES B.S.P.PL.
 ** INDICATES B.S.P.TR.
 AREA LEFT BLANK INDICATES N.P.T.F.



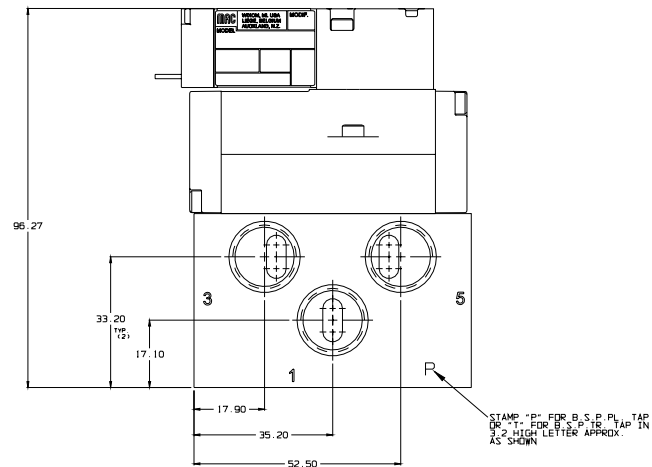
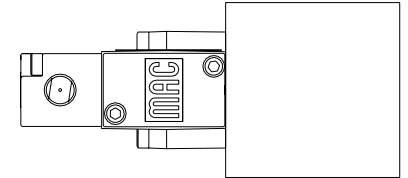
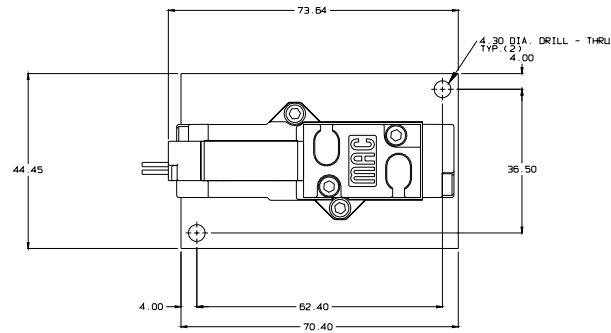
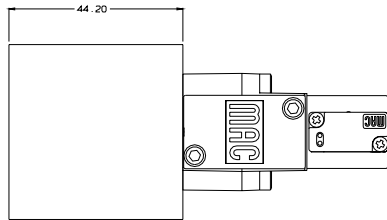
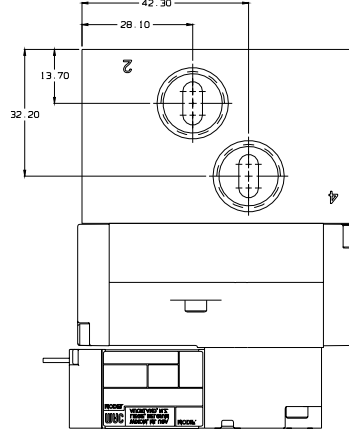
83 Series Individual Base
 3/8" Side Ports
 (shown w/ RM3 Pilots)



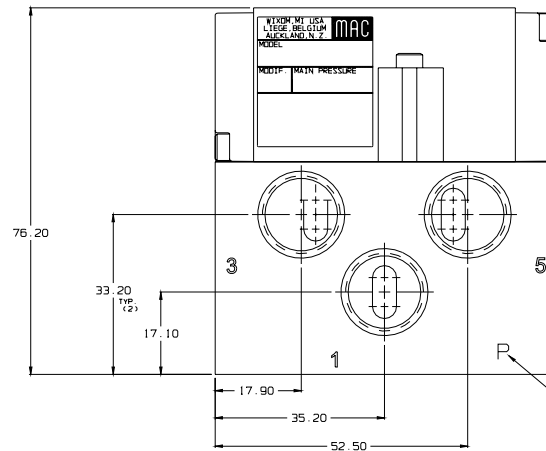
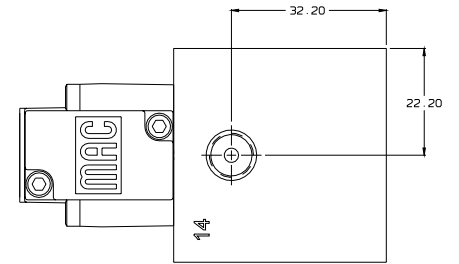
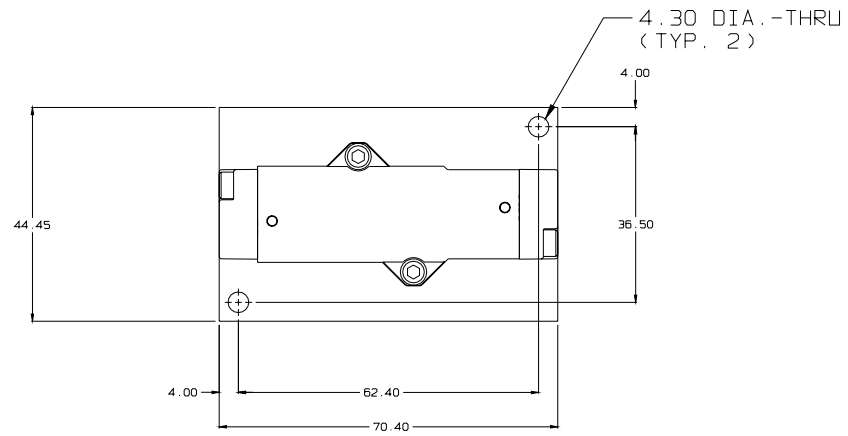
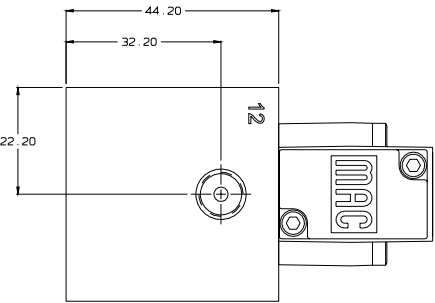
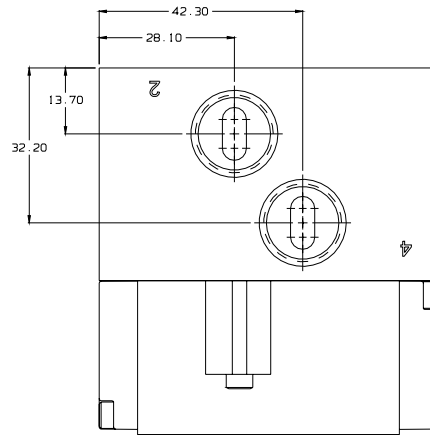
83 Series Single Solenoid
 3/8" Side Ports
 with RM Pilot



83 Series Single Solenoid
 3/8" Side Ports
 with DM Pilot



83 Series Single Solenoid
 3/8" Side Ports
 with GM Pilot



83 SERIES DOUBLE REMOTE AIR
BASE (SHOWN WITH 3/8" PORTS)

STAMP "P" FOR B.S.P. PL. TAP
OR "T" FOR B.S.P. TR. TAP IN
3/8" HIGH LETTER APPROX.
AS SHOWN