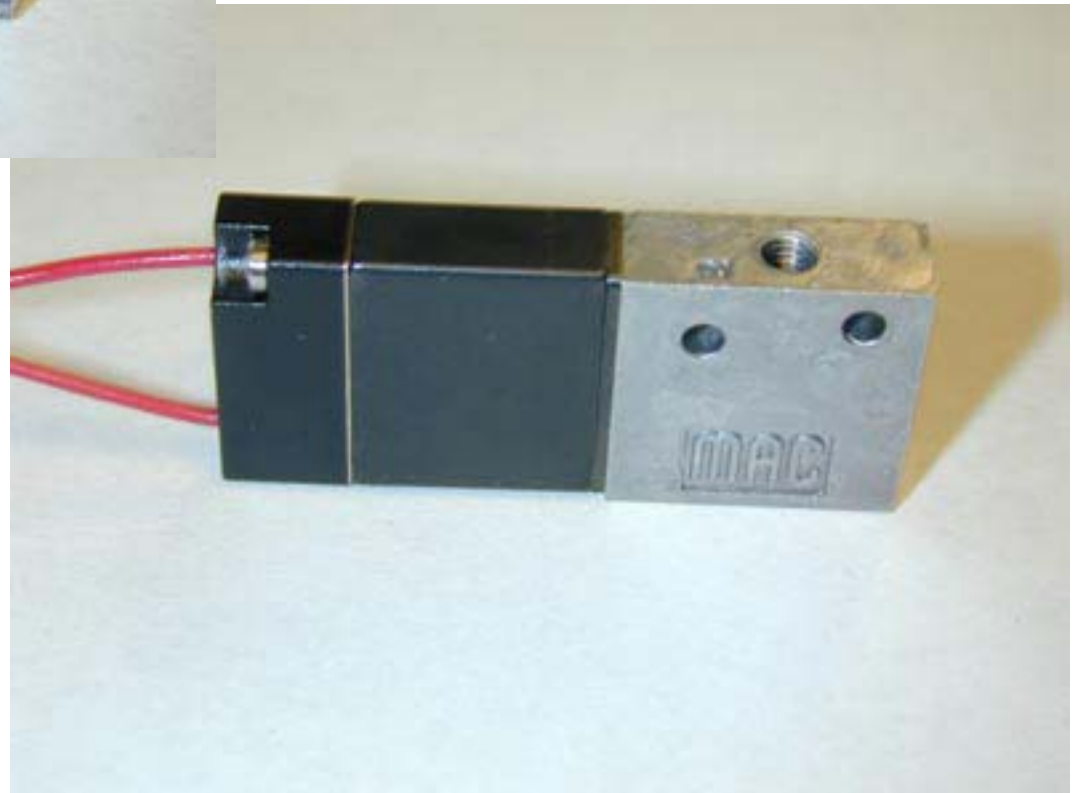
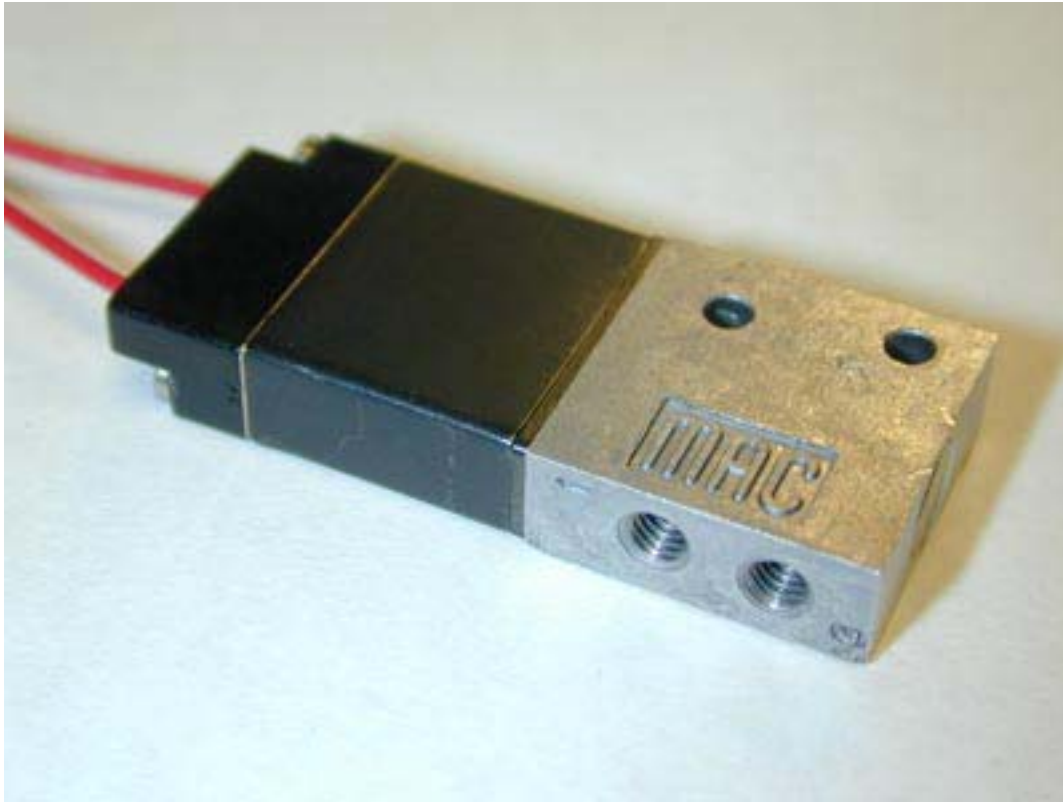
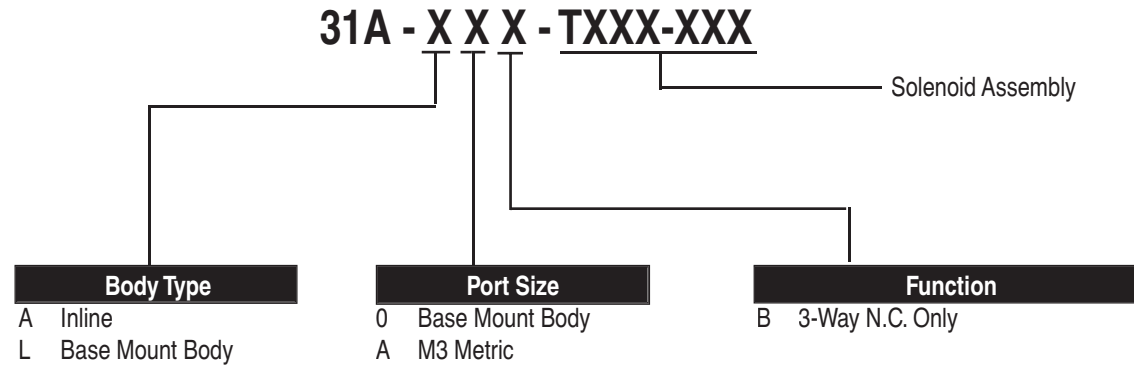


31 Series Inline Valve



How to Order 31 Series

(High Speed Valve w/ Differential Assist)

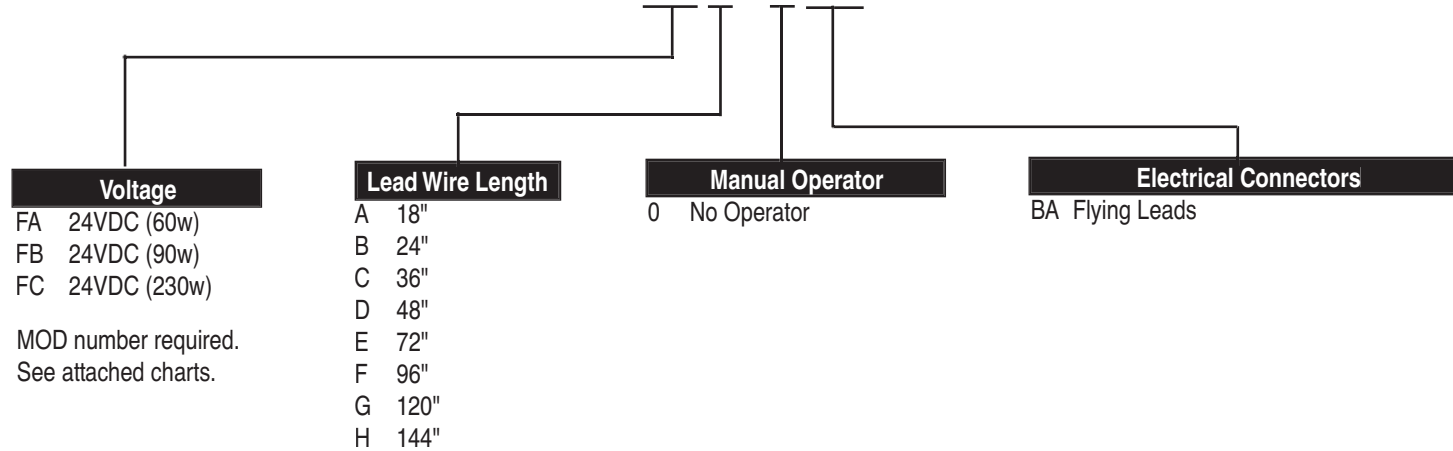


MOD number required. See attached charts.

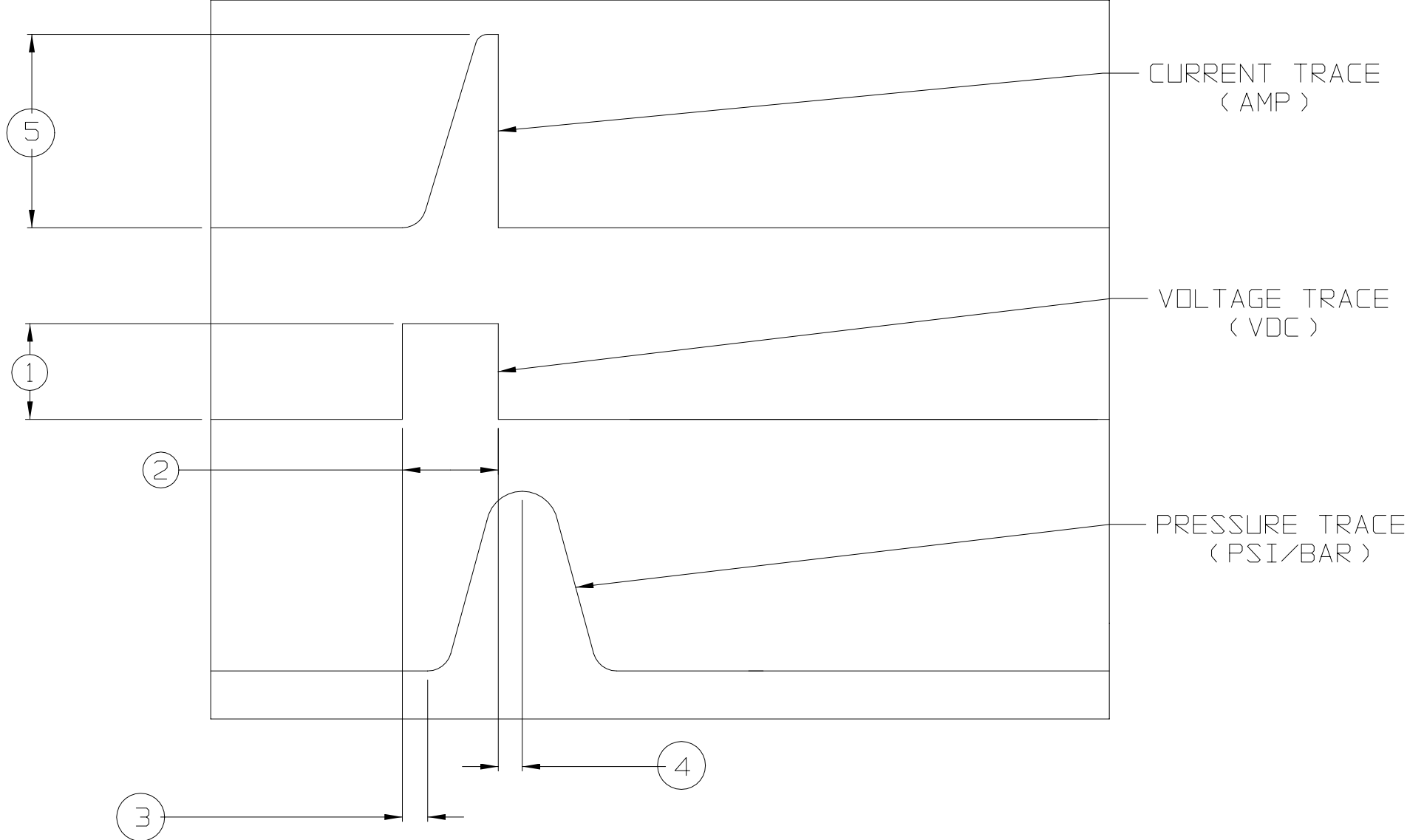
How to Order 31 Series

High Speed Solenoid Assembly For Differential Air Assist

T XX X - X XX



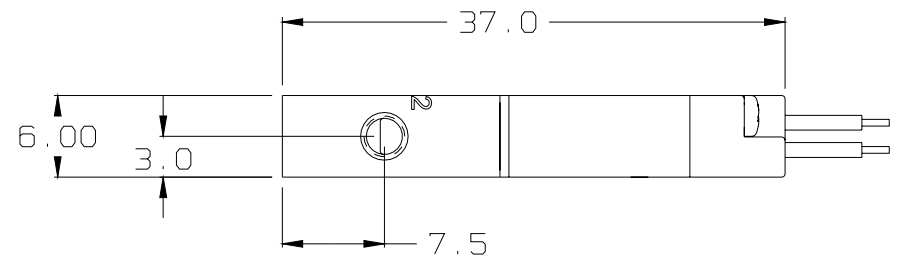
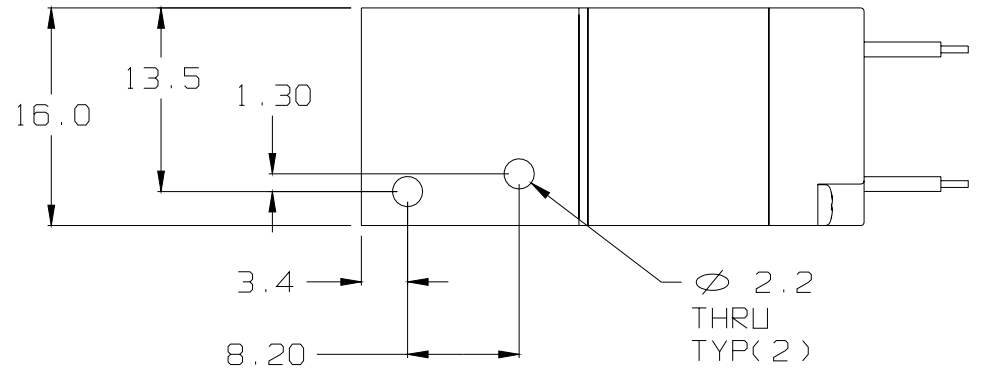
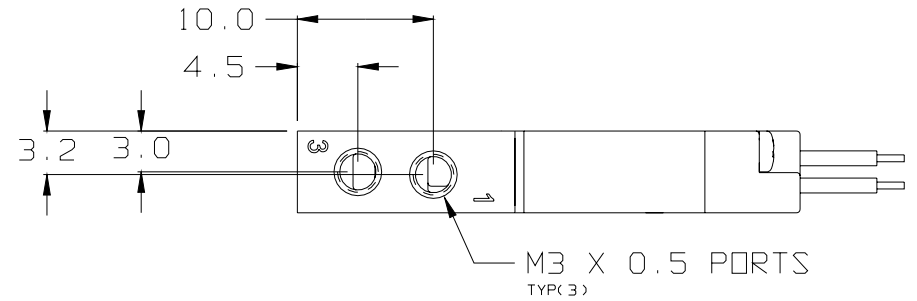
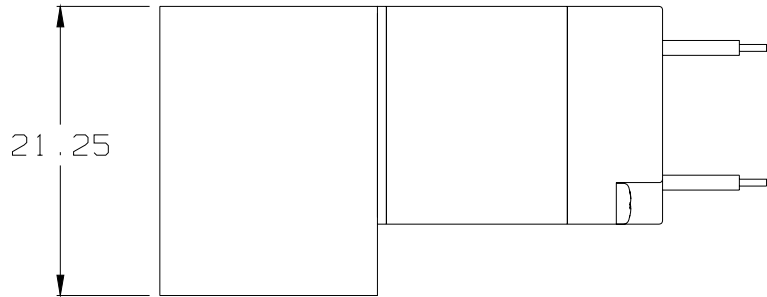
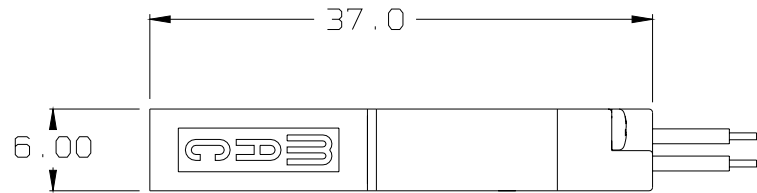
Differential Air Assist					Trace Description	1	Values for Maximum Pulse Magnitude				
Valve Model Number	MOD Number (Std. Grease)	MOD Number (Food grade Grease)	Cv (Flow)	Resistance (Ohms)			Inlet Pressure (psi)	Voltage (VDC)	On time required to Create Maximum Air Pulse (ms)	Time to Start Flow (ms)	Time to Start Exhaust (ms)
					31A-XXX-TFCX-XXX	S041					
80	1.40										
40	1.25										
31A-XXX-TFCX-XXX	S042	S045	0.05	2.5	40	24	1.25	0.40	0.27	8.2	
					80		1.45				
					40		1.35				
31A-XXX-TFCX-XXX	S043	S046	0.06	2.5	40	24	1.50	0.43	0.25		
					80		1.25				
					40		1.65				
31A-XXX-TFBX-XXX	S041	S044	0.03	6.5	40	24	1.25	0.35	0.35		
					80		1.65				
					40		1.60				
31A-XXX-TFBX-XXX	S042	S045	0.05	6.5	40	24	1.60	0.55	0.33	3.4	
					80		1.75				
					40		1.70				
31A-XXX-TFBX-XXX	S043	S046	0.06	6.5	40	24	1.70	0.60	0.30		
					80		1.85				
					40		1.35				
31A-XXX-TFAX-XXX	S041	S044	0.03	9.5	40	24	1.35	0.47	0.35		
					80		1.75				
					40		1.60				
31A-XXX-TFAX-XXX	S042	S045	0.05	9.5	40	24	1.60	0.60	0.33	2.4	
					80		1.80				
					40		1.65				
31A-XXX-TFAX-XXX	S043	S046	0.06	9.5	40	24	1.65	0.70	0.33		
					80		1.90				
					80		1.90				



PARAMETERS FOR
MAXIMUM AIR PULSE

1. VOLTAGE
2. ON-TIME REQUIRED FOR MAXIMUM
AIR PULSE
3. TIME TO START TO FLOW
4. TIME TO START TO EXHAUST
5. PEAK CURRENT

31 SERIES WITH HIGH SPEED SOLENOID WITH DIFERENTIAL AIR ASSIST



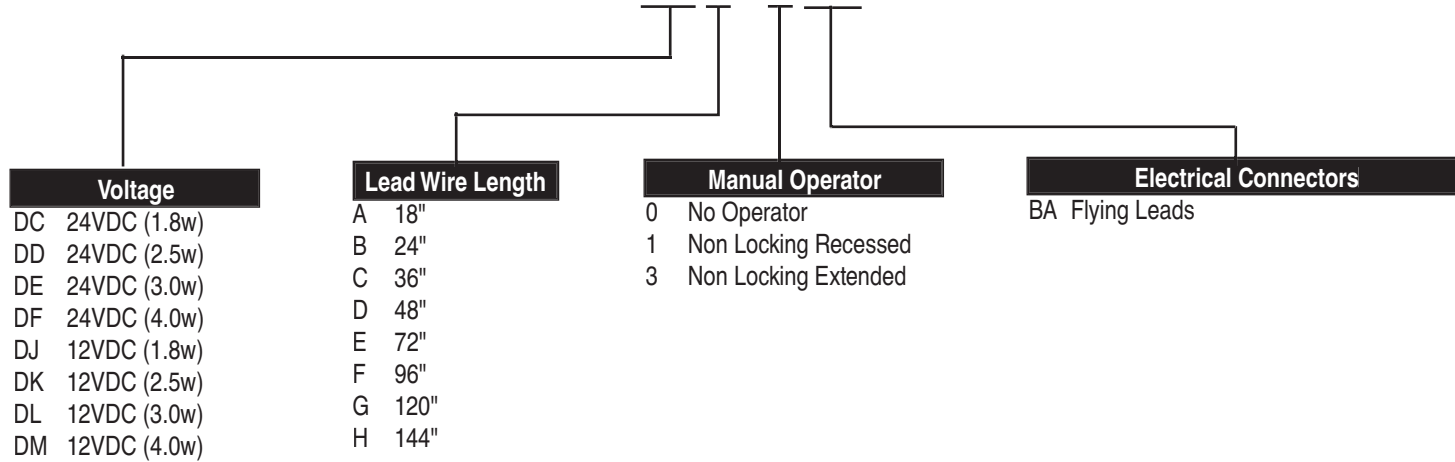
MANIFOLD BODY

INLINE BODY

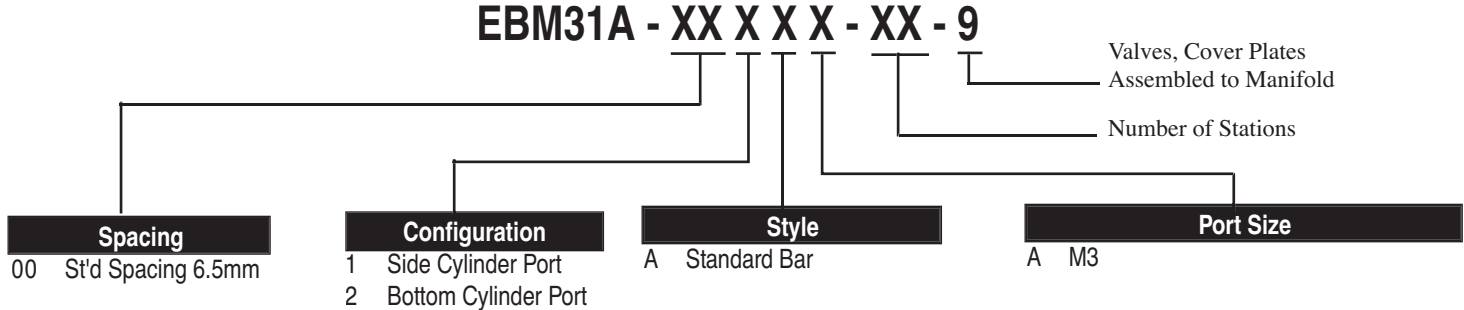
-DIMENSIONS SHOWN ARE
IN MILLIMETERS

How to Order 31/41 Series Solenoid Assembly

T XX X - X XX



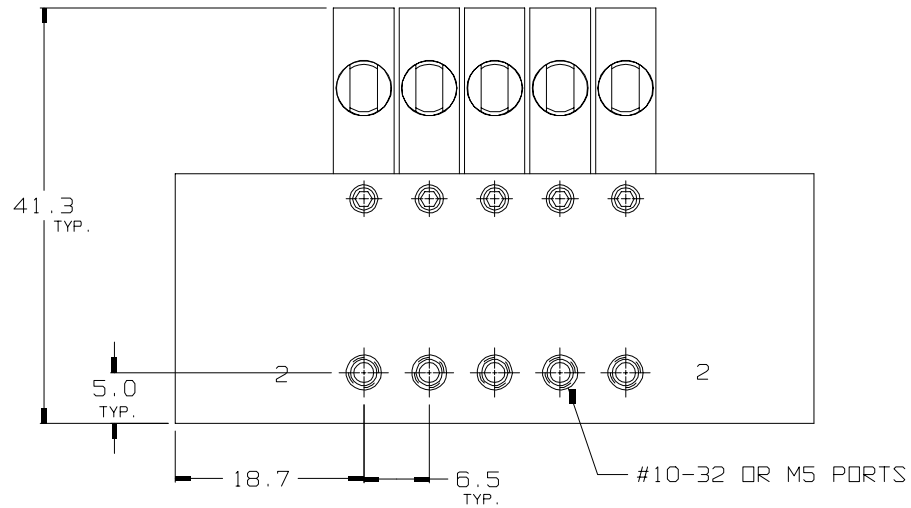
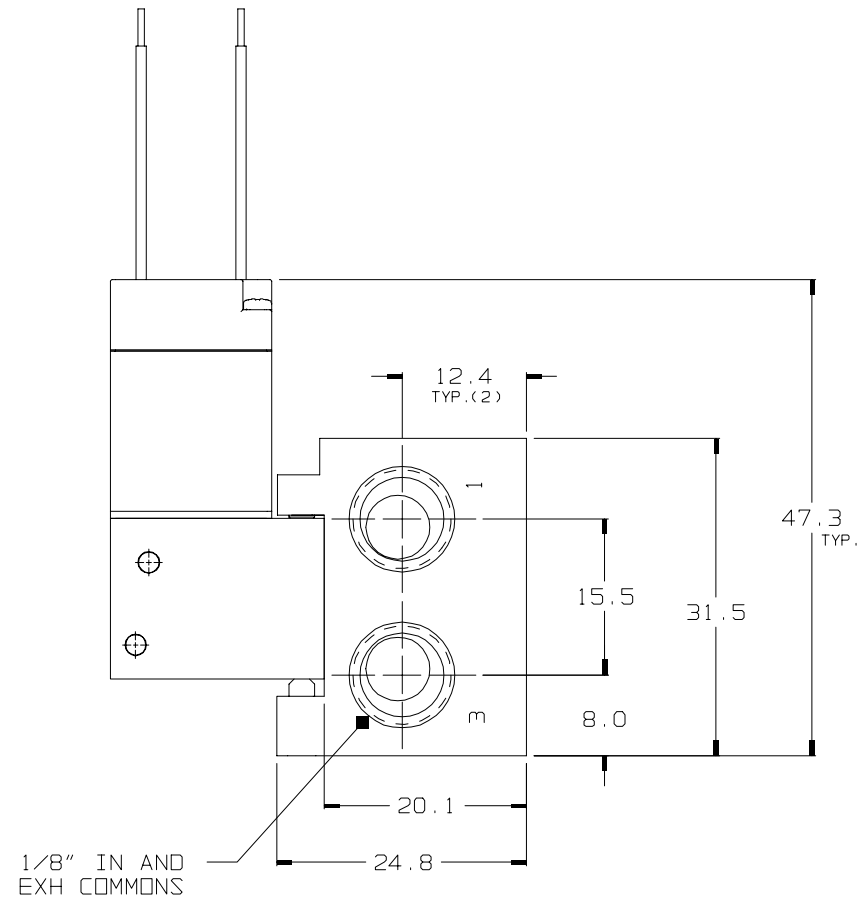
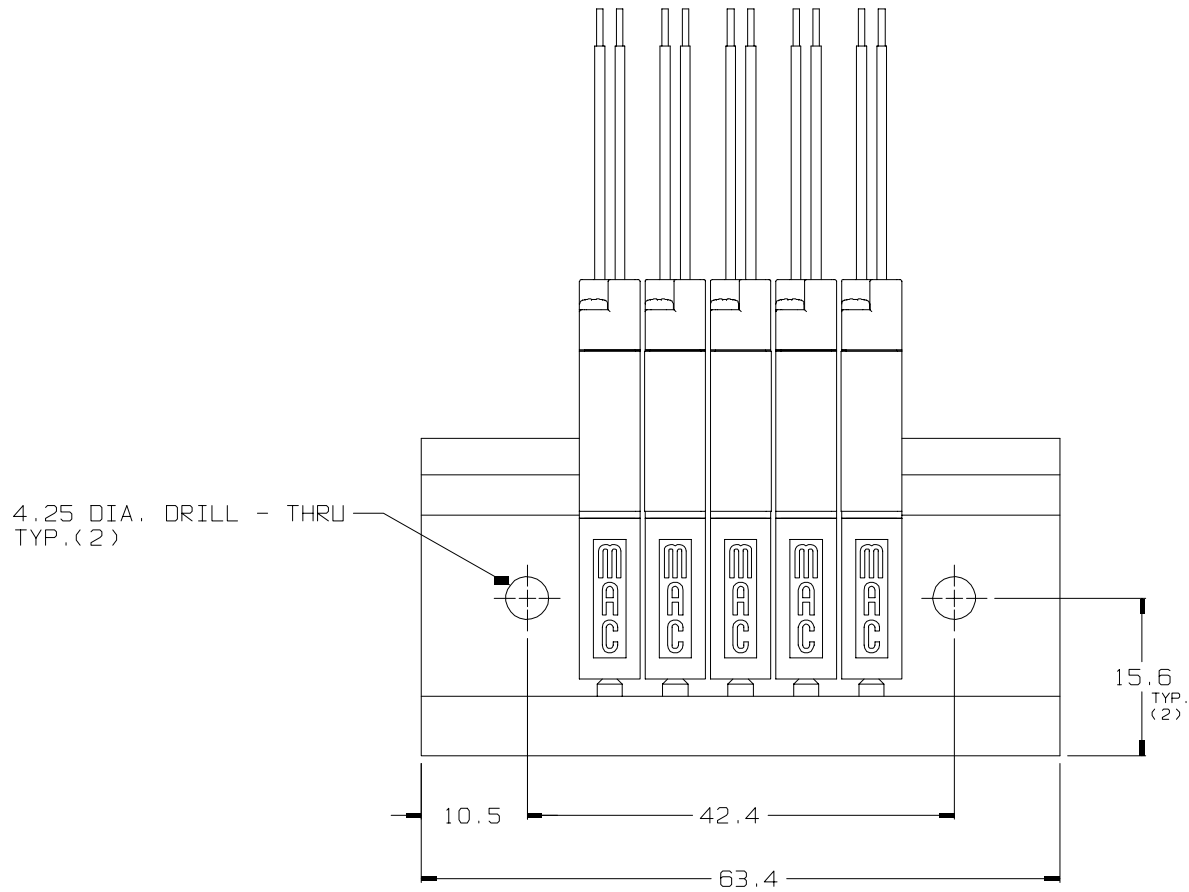
How to Order 31 Series EBM Circuit Bar



Note: Through ports (Inlet and Exhaust) are
M7 Ports.

31 SERIES EBM

(SHOWN WITH "FLYING LEADS" CONNECTOR)



- DIMENSIONS SHOWN ARE
IN MILLIMETERS
- 5 STATION BAR SHOWN