

**Sandwich-pressure regulator**

**OPERATIONAL BENEFITS**

1. Easy mounting: saves on installation costs in comparison with inline regulators.
2. Compact all included units.
3. Large orifice provides high flow.
4. Various functions available.
5. Simple, reliable and solid design.
6. Single pressure regulator.



PR37A  
PR42B  
**PR46A**  
PR47A  
PR48B  
  
PR92C

**HOW TO ORDER**

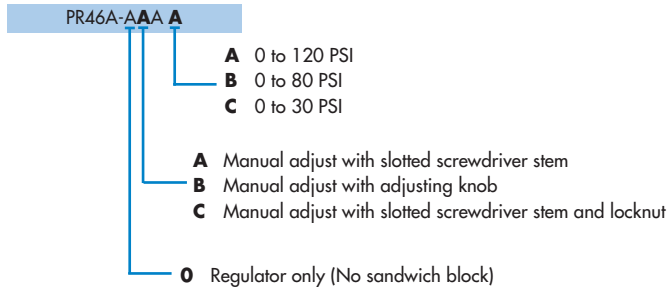
REGULATORS FOR "PLUG-IN" AND "NON PLUG-IN" VALVES

Gauge	For plug-in valves	For non plug-in valves
Gauge port (plugged)	PR46A-AAAA	PR46A-BAAA

PR93A

**OPTIONS**

Pressure range :



PRA01A

PRA02A

PRA1A

PRP1A

Notes : gages must be ordered separately, not included with regulator.  
Recommended gage : 24165-150 (15 mm)

PRA2D

PRP2B

PRA3C

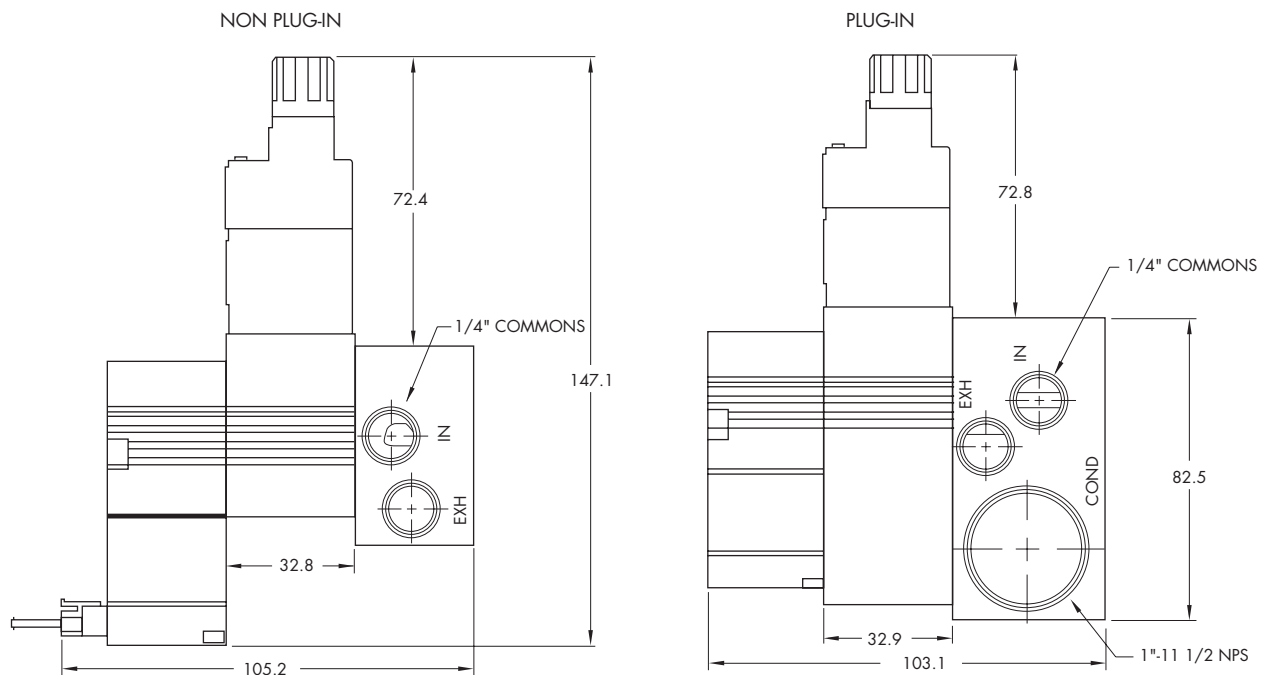
PRP3B

**TECHNICAL DATA**

<b>Fluid :</b>	Compressed air, inert gases
<b>Pressure range :</b>	0 to 120 PSI
<b>Regulating range :</b>	0 to 120 PSI
<b>Lubrication :</b>	Not required, if used select a medium aniline point lubricant (between 180°F and 210°F)
<b>Filtration :</b>	40 μ
<b>Temperature range :</b>	0°F to 120°F (-18°C to +50°C)
<b>Flow :</b>	Cv 0,21

**DIMENSIONS**

Dimensions shown are metric (mm)



# How to Order

## 36 / 46 Series Regulator

PR46A - X X X X - X

