

# Specifications

## 25 Series Valves

**Fluids:**

Compressed air or inert gases

**Lubrication:**

Not required. If used, select a medium aniline point lubricant (between 180° and 210°F)

**Safe Operating Temperature Range:**

0°F to 120°F (-18°C to 50°C)

**Pressure Range:**

Main Valve: Vacuum to 120 PSI (External pilot)  
40 to 120 PSI (Internal pilot)

External pilot: 40 to 120 PSI

**Flow:**

$C_v =$  up to 0.40

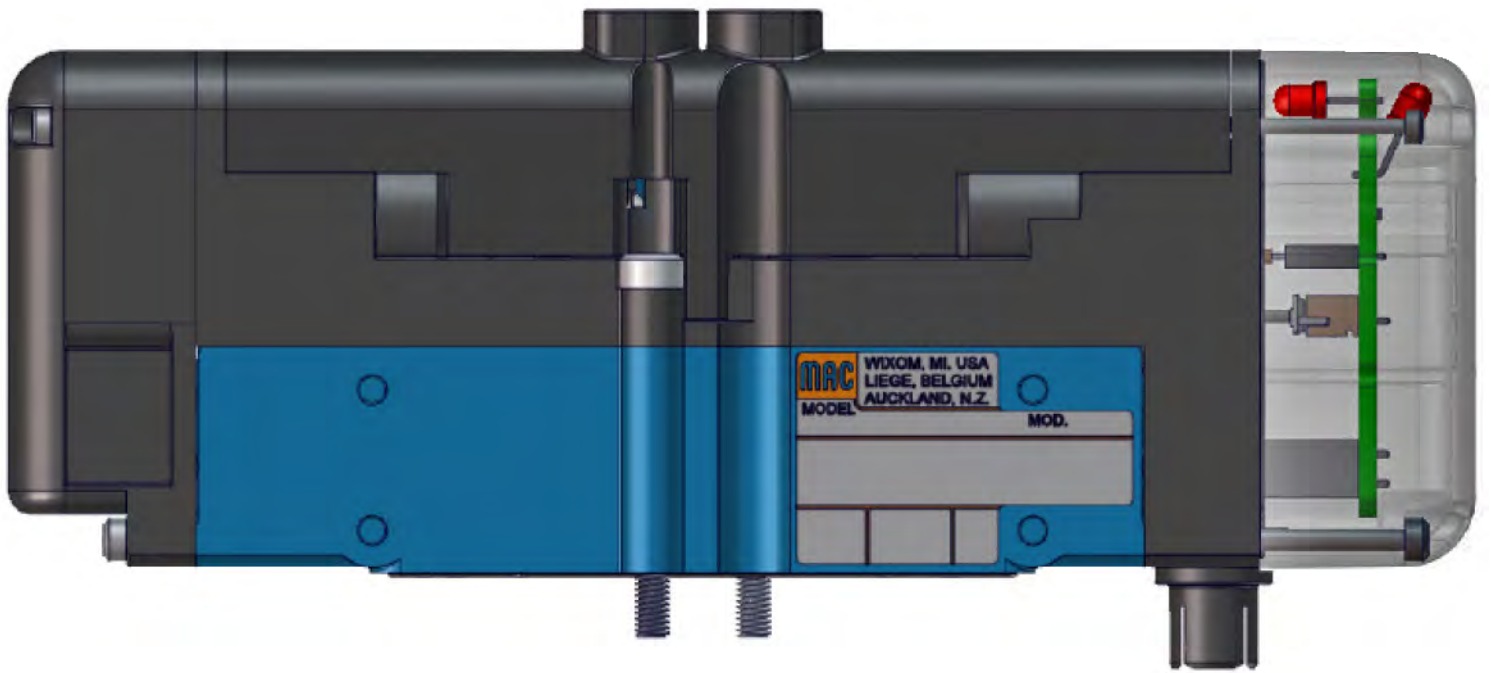
**Voltage:**

DC 12/24 Volt 1.8w to 4.0w (Higher wattages available - consult factory)

**Coil:**

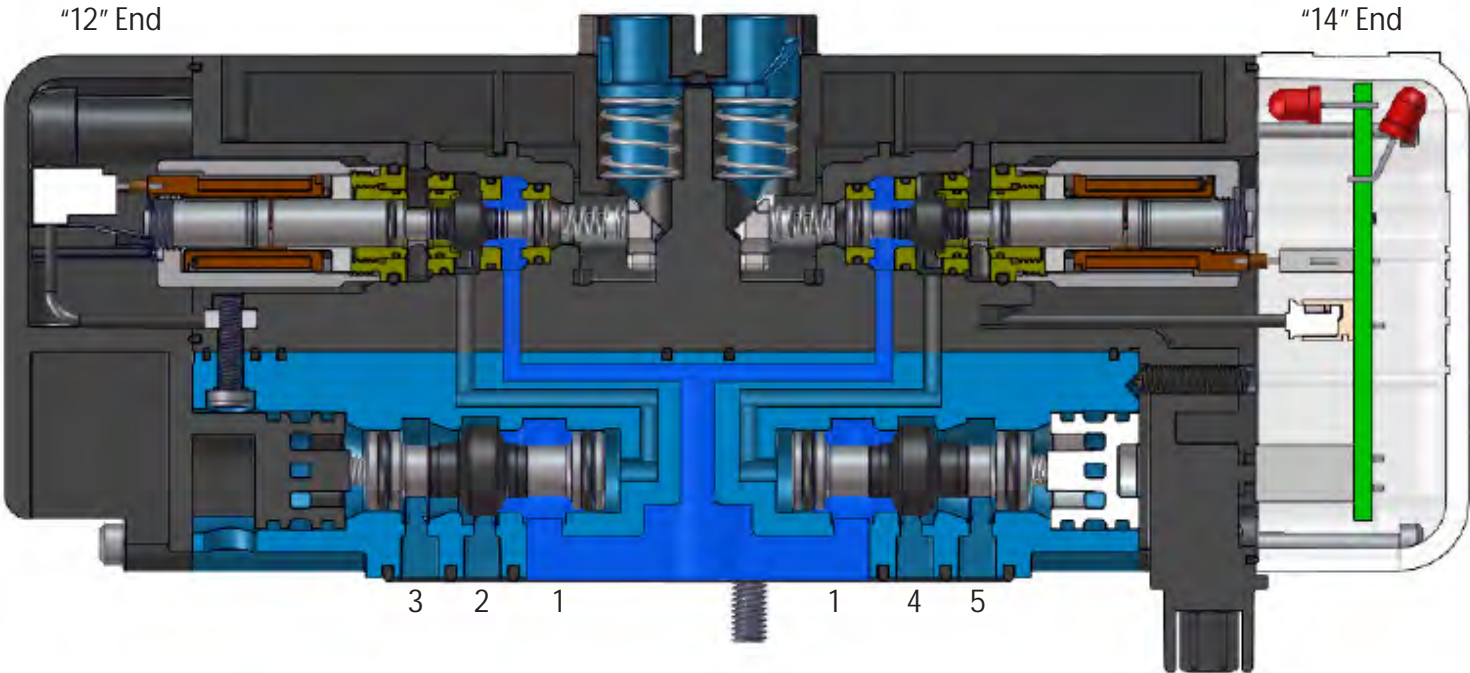
Class A continuous duty

# MAC 25 Series

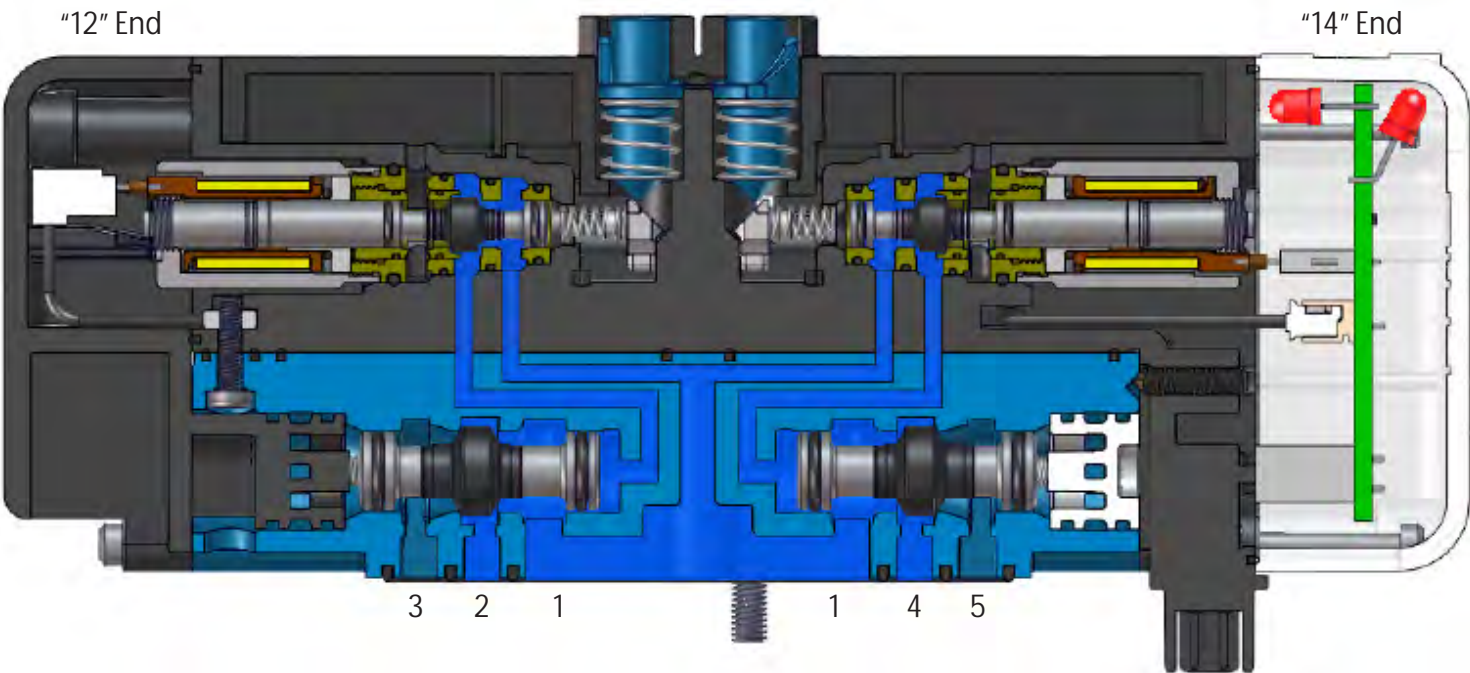


# MAC 25 Series

(3-Way N.C. 12 and 14 Ends Shown Below)

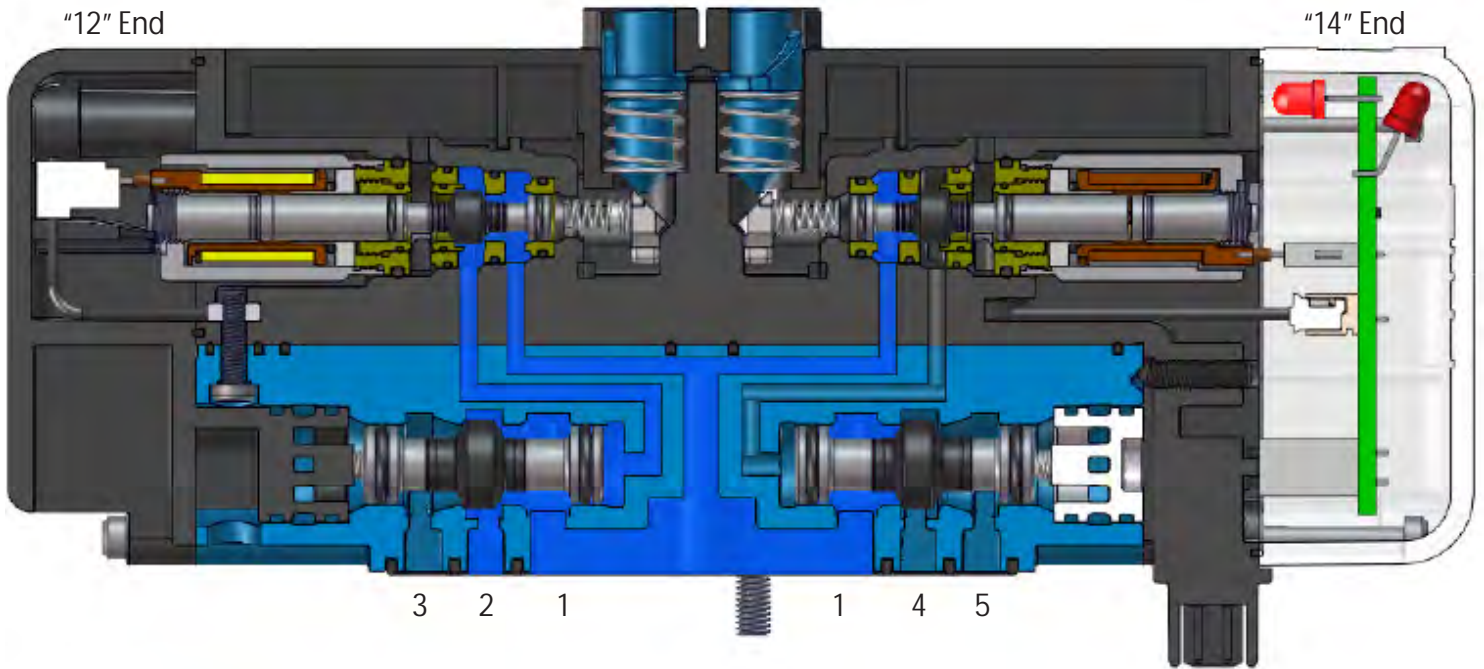


"12" End De-Energized : "14" End De-Energized

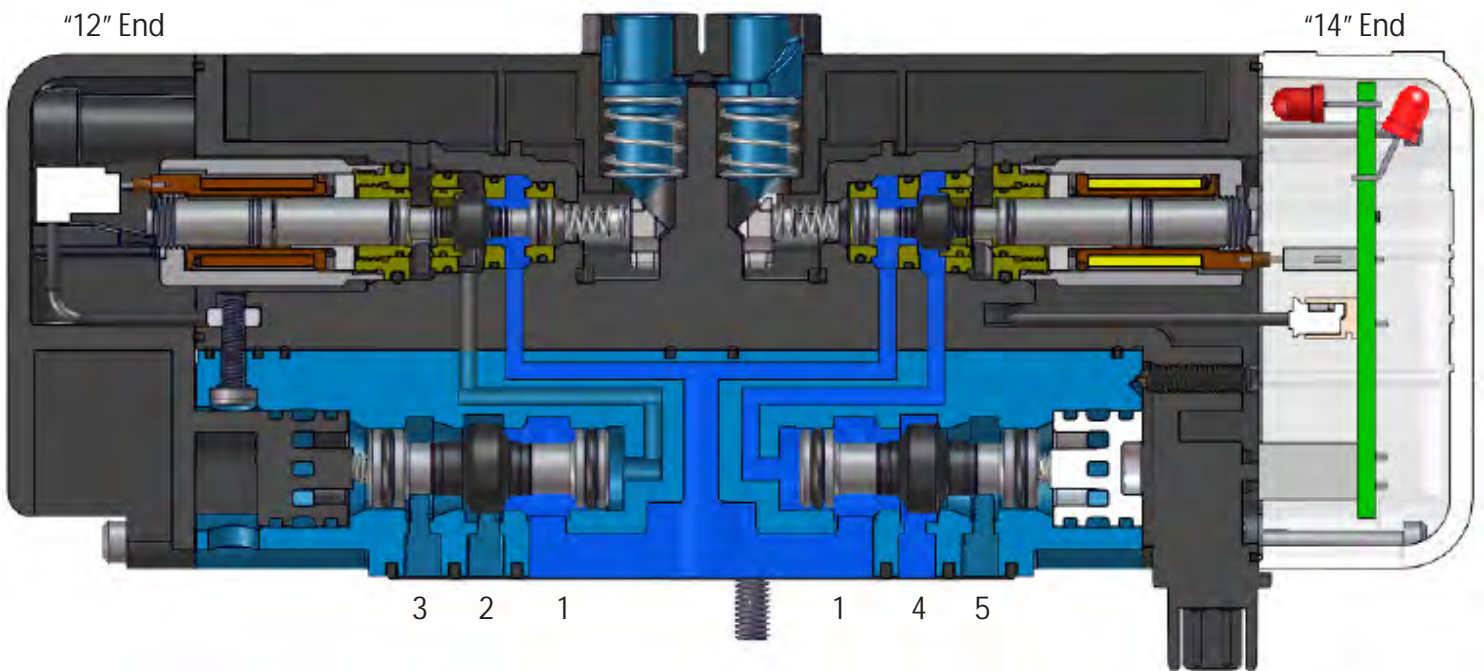


"12" End Energized : "14" End Energized

# MAC 25 Series



"12" End Energized : "14" End De-Energized

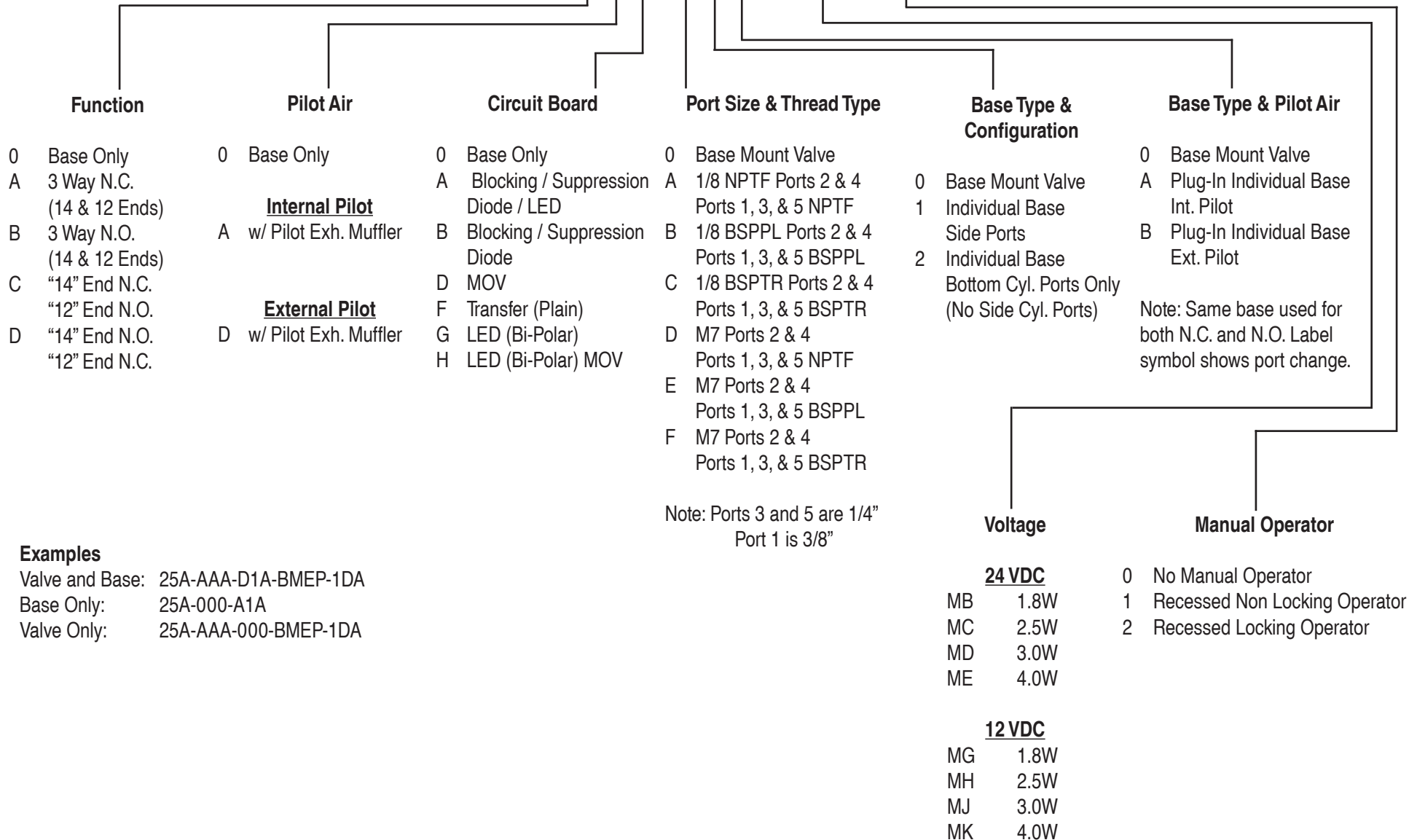


"12" End De-Energized : "14" End Energized



# How to Order 25 Series Valve

25A - X X X - X X X - B XX P - X DA



## Examples

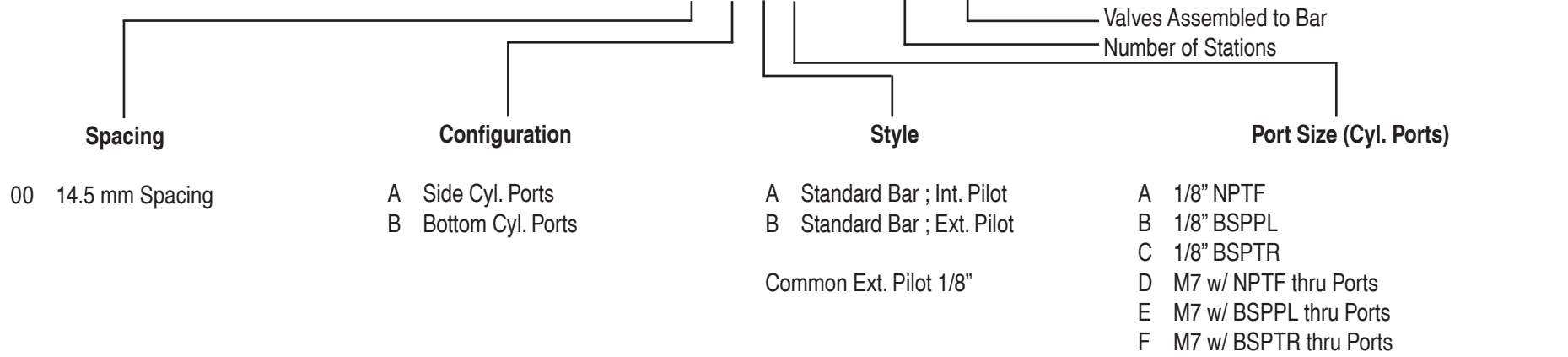
Valve and Base: 25A-AAA-D1A-BMEP-1DA

Base Only: 25A-000-A1A

Valve Only: 25A-AAA-000-BMEP-1DA

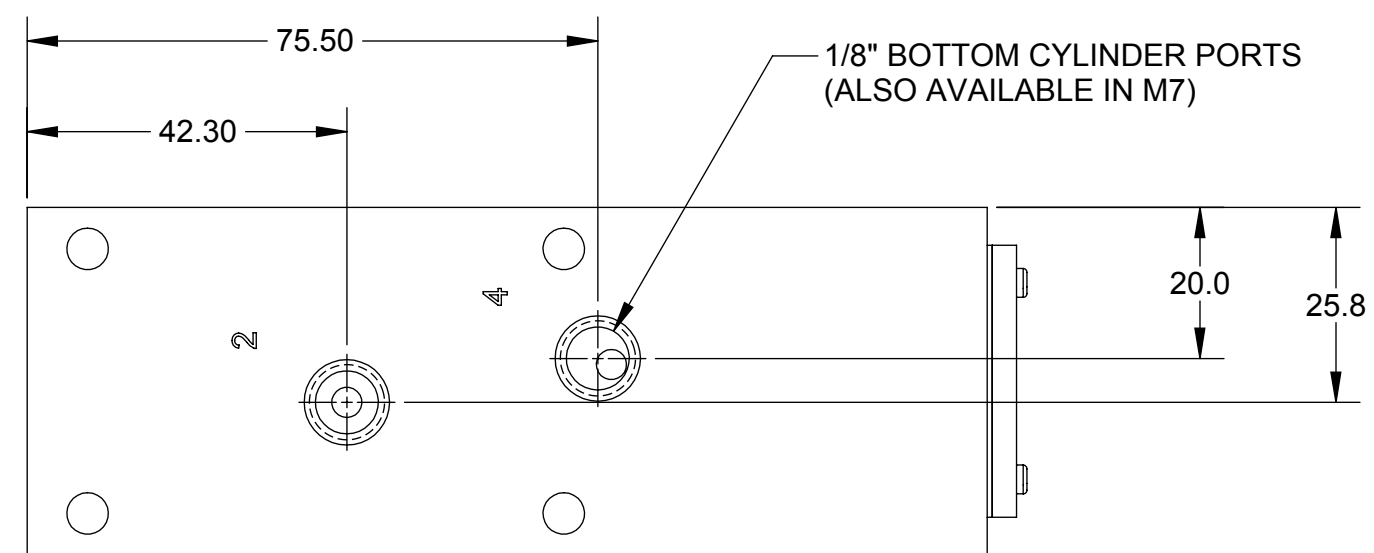
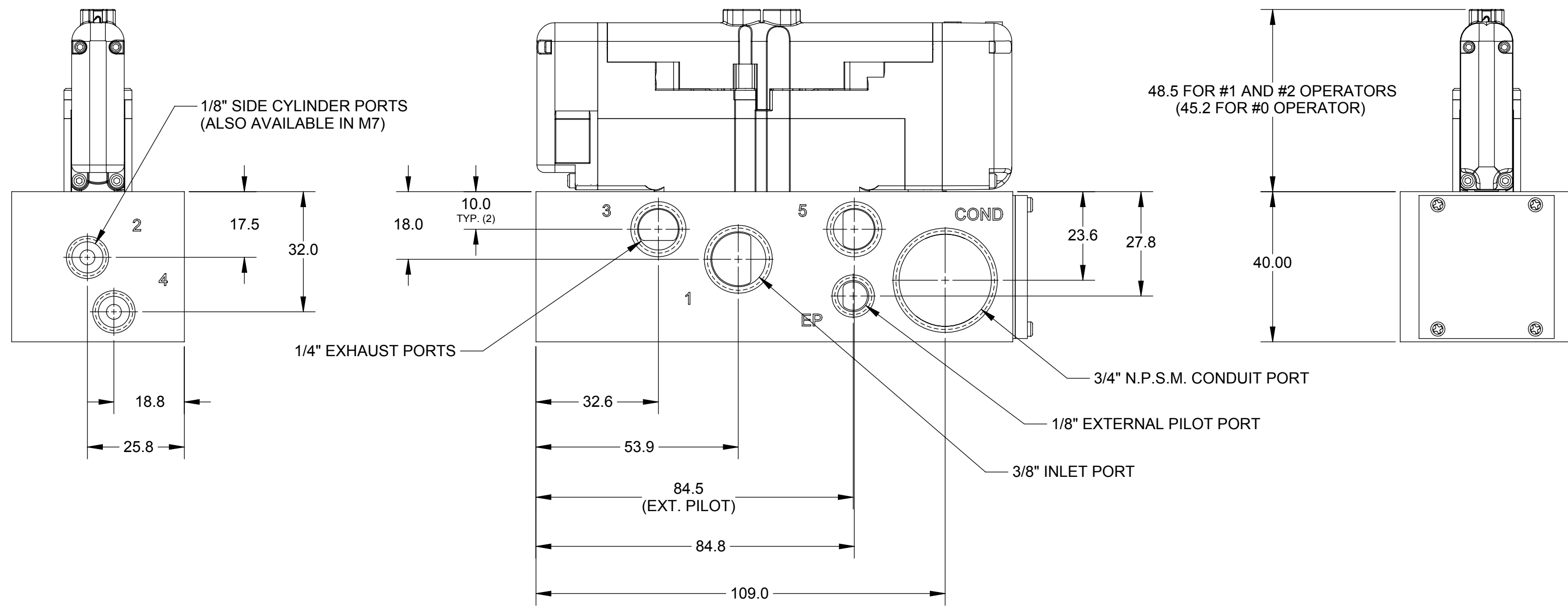
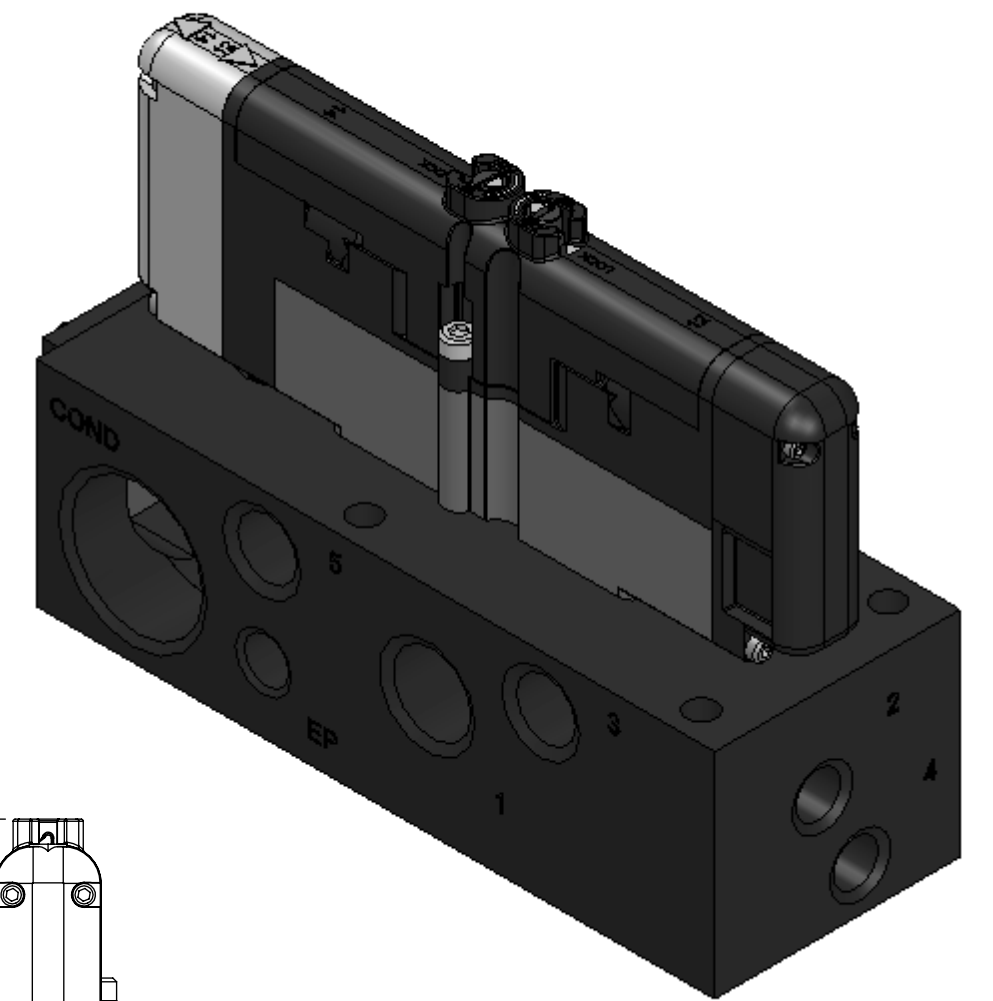
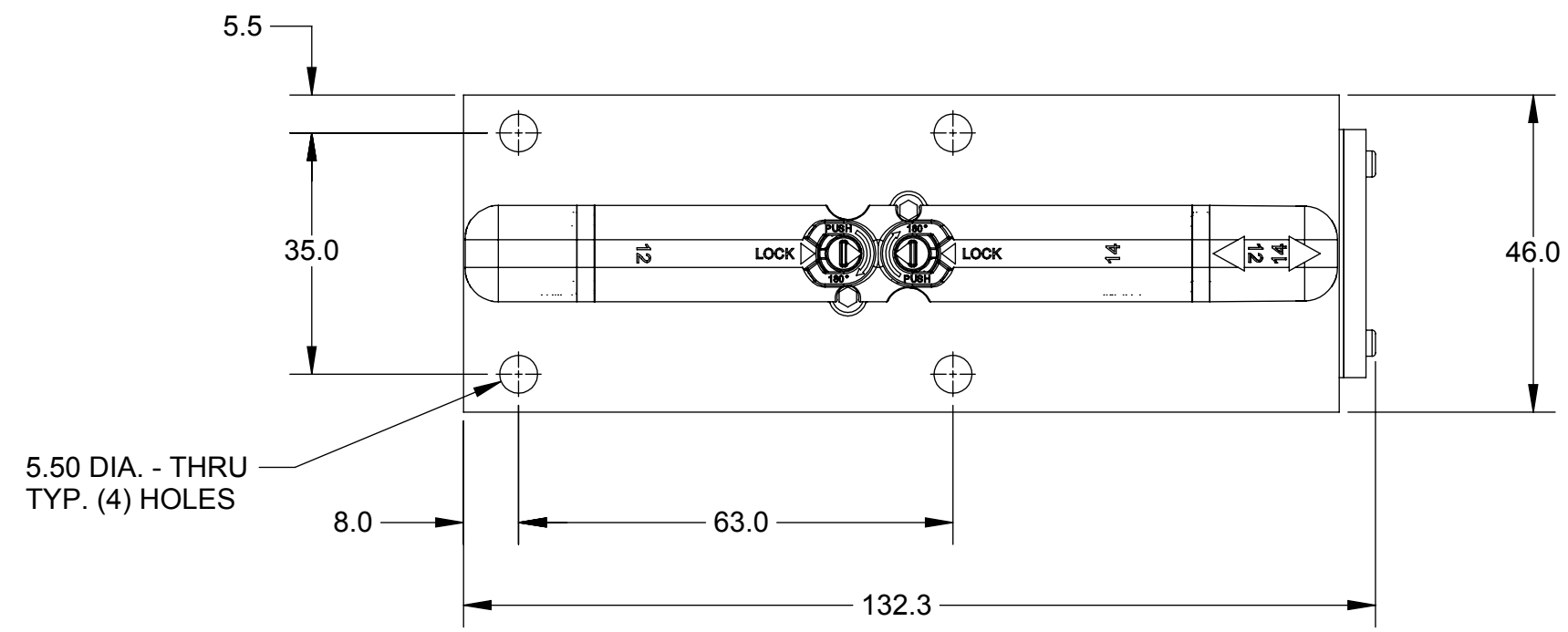
# How to Order 25 Series Plug-In Circuit Bar

**CBM 25A - XX X X X - A0 XX - 9**



Common thru ports are 3/8" inlet, 1/4" exhaust

# 25 SERIES INDIVIDUAL BASE



# 25 SERIES PLUG-IN CIRCUIT BAR

