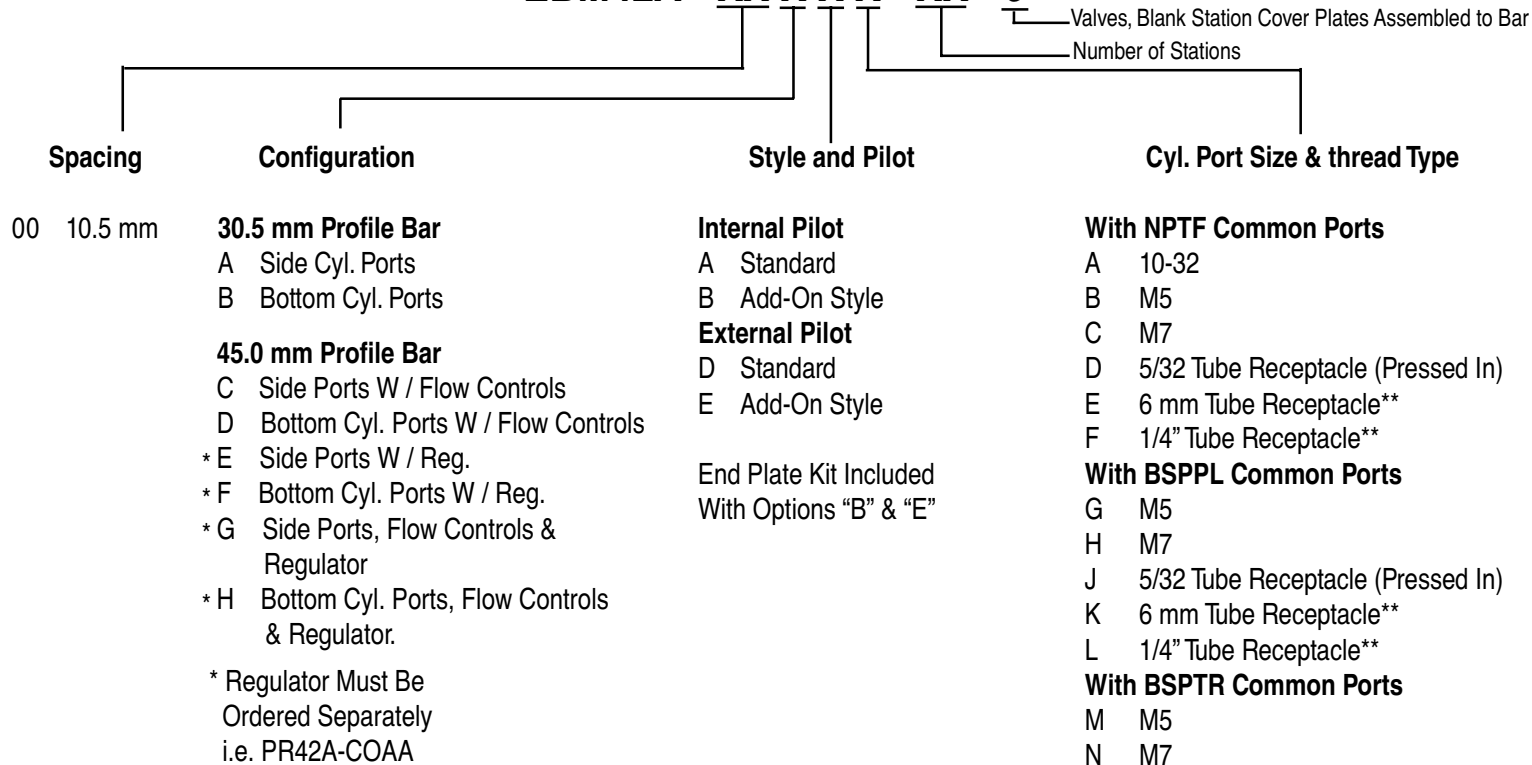


How to Order Non Plug-In Circuit Bar For 42 Series

EBM42A - XX X X X - XX - 9



End Plates & Miscellaneous Parts

M-42001-01(*)	Right Hand End Plate Kit 30.5 mm Profile Int. Pilot
M-42001-02(*)	Right Hand End Plate Kit 30.5 mm Profile Ext. Pilot
M-42004	Blank Station Cover Plate Kit
28454	Isolator Disc (Inlet and Exhaust)
28455	Isolator Disc Pilot Supply Ports
32625	6mm Tube Receptacle
32627	1/4" Tube Receptacle

(*) P= BSPPL T= BSPTR Blank= St'd NPTF

** Threaded Fitting

Note: The Add-A-Unit for an Add-On style bar is the non plug-in die cast Add-A-Unit manifold base. Option only for the 30.5mm profile.

How to Order Plug-In Circuit Bar For 42 Series

ECD42A - X X X X X - X X X X - 9

Number of Stations
Valves, Cover Plates Assembled to Manifold



00 10.5 mm

30.5 mm Low Profile Bar

- A Side Cyl. Ports
- B Bottom Cyl. Ports
- *C Bottom Cyl's. w / Reg
- D Bottom Cyl's. w / F.C.

43.75 mm Mid Profile Bar

- E Side Cyl. Ports w / Flow Controls

55.7 mm High Profile Bar

- †*J Bottom Cyl. Ports w / Flow Controls & Regulator On Same End

* Regulator Must Be Ordered Separately I.E. PR42A-COAA

† Reg. Must Be Ordered w / o Gage Port Option

Internal Pilot

- A Standard
- B Add-On Style

External Pilot

- D Standard
- E Add-On Style

Right-Hand End Plate Kit Included w / Bar For Options "B" & "E"

The Die Cast Manifold Base To Be Used As The Add-A-Unit For The Add-On Style Bars. Available For 30.5 mm Profile Bars, Options "A" & "B" Only

With NPTF Common Ports

- A 10-32
- B M5
- C M7
- D 5/32 Tube Receptacle (Pressed In)
- E 6 mm Tube Receptacle**
- F 1/4" Tube Receptacle**

With BSPPL Common Ports

- G M5
- H M7
- J 5/32 Tube Receptacle (Pressed In)
- K 6 mm Tube Receptacle**
- L 1/4" Tube Receptacle**

With BSPTR Common Ports

- M M5
- N M7
- P 5/32 Tube Receptacle (Pressed In)
- R 6 mm Tube Receptacle**
- S 1/4" Tube Receptacle**

** Screw-In Fitting

With NPTF Common Ports

- AO Plug-In, 2 Wires
- BO Plug-In, 2 Wires W / Ground
- CO Plug-In, 4 Wires (Latching)
- DO Plug-In, 4 Wires W / Ground (Latching)
- EO Plug-In, 3 Wires (Dbl. Sol. & Latching)

Note: "AO" Option Is Used For Both Standard and Latching Solenoids

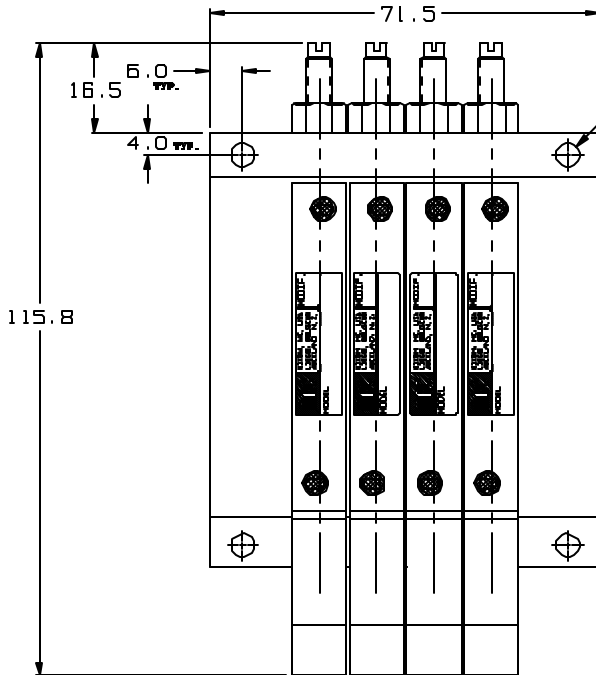
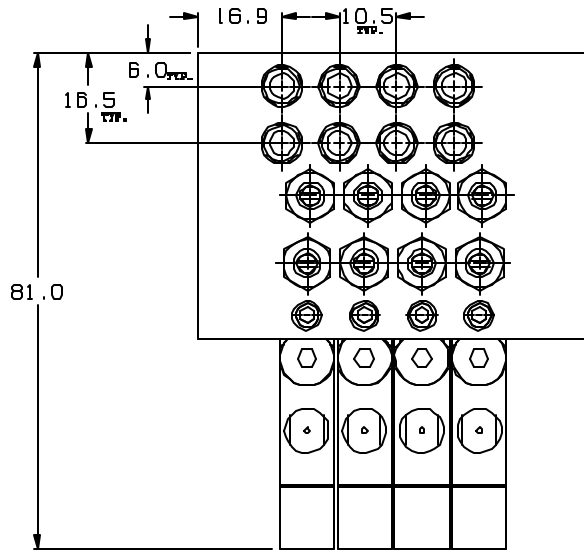
Replacement Parts & Accessories:

- M-42009-01(*) End Plate Kit - Add-On Bar Int. Pilot
- M-42009-02(*) End Plate Kit - Add-On Bar Ext. Pilot
- M-42004 Blank Station Cover Plate
- 28454 Isolator Disc, Inlet & Exhaust, Installed Between Add-A-Unit Stations
- 24180 Base Wire Plug-In Protector

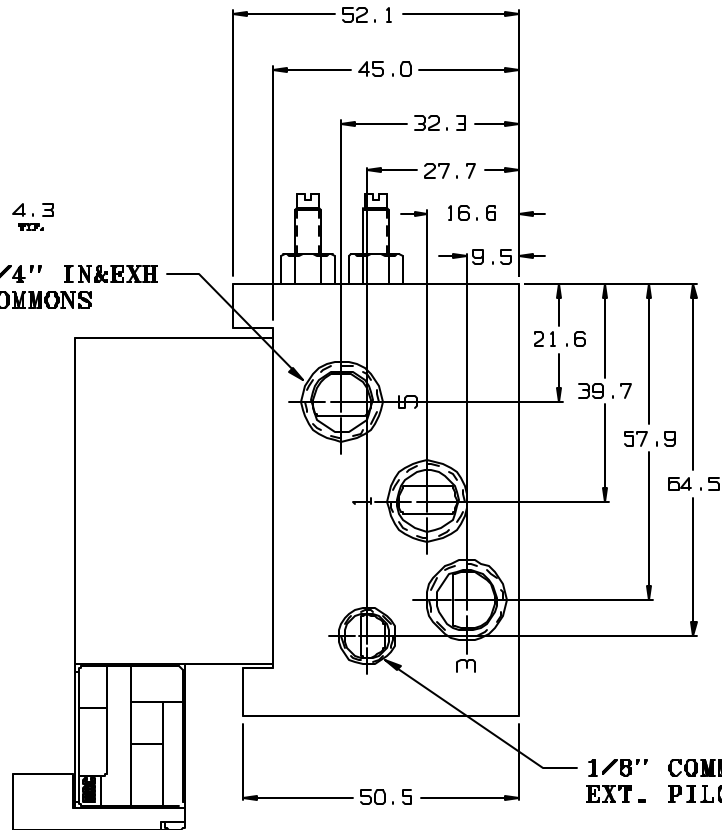
(*) P= BSPPL, T= BSPTR
Blank= ST'D NPTF

42 SERIES NON PLUG-IN BAR W/ FLOW CONTROLS

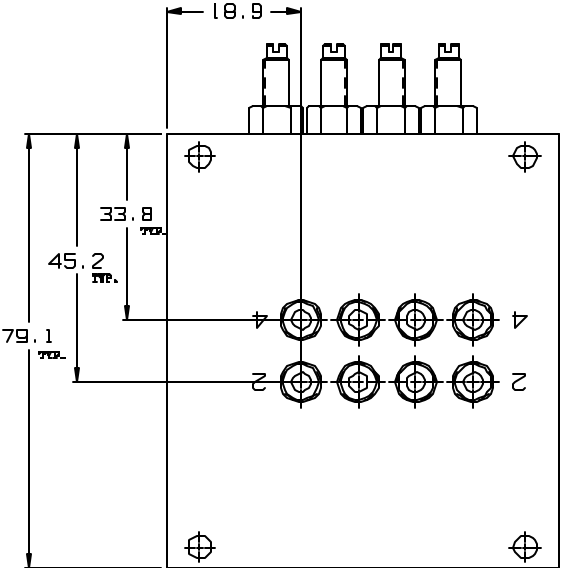
(M7 PORTS SHOWN)



$\varnothing 4.3$
1/4" IN&EXH
COMMONS



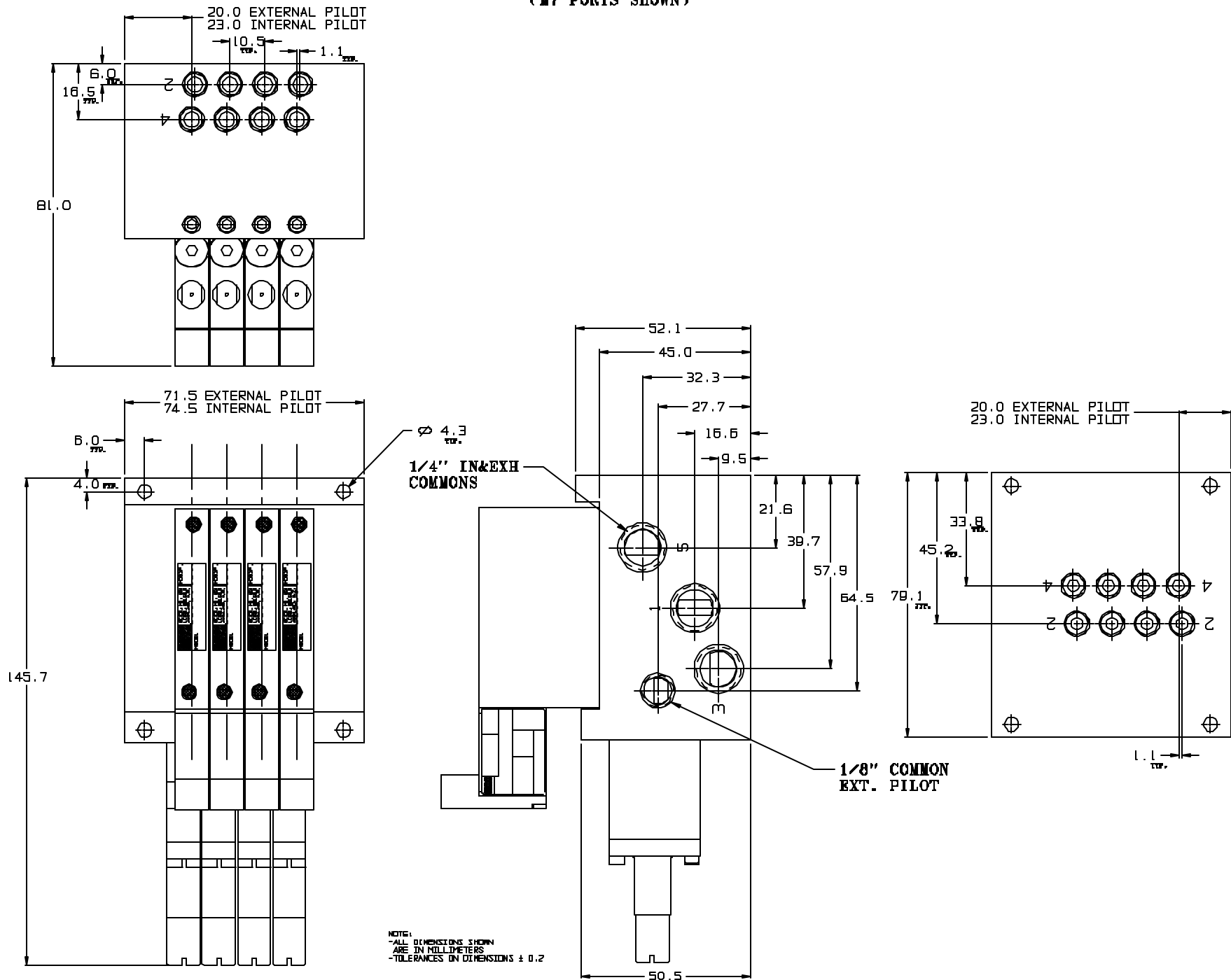
1/8" COMMON
EXT. PILOT



NOTE:
-ALL DIMENSIONS SHOWN
ARE IN MILLIMETERS
-TOLERANCES ON DIMENSIONS ± 0.2

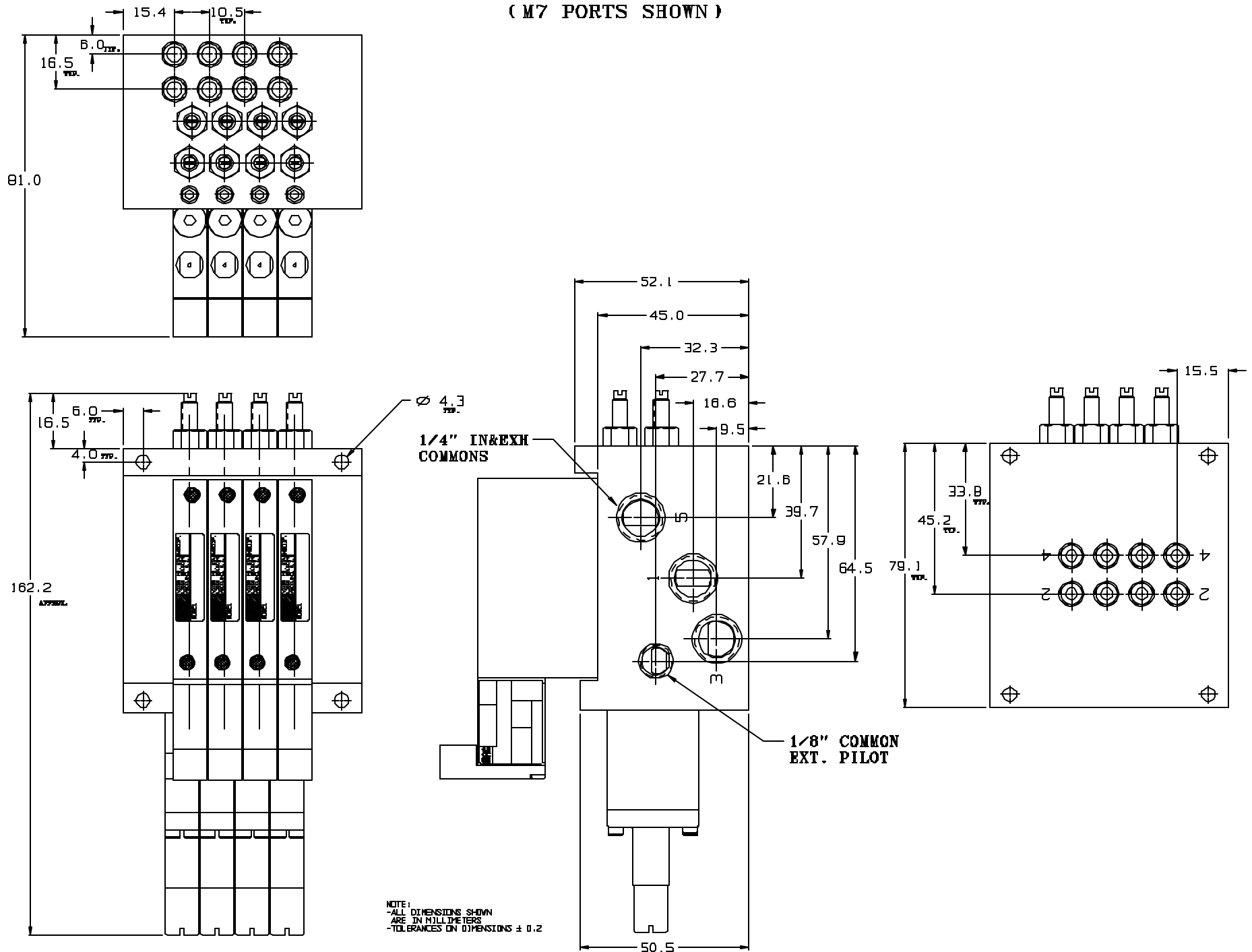
42 SERIES NON PLUG-IN BAR W/REGULATOR

(M7 PORTS SHOWN)

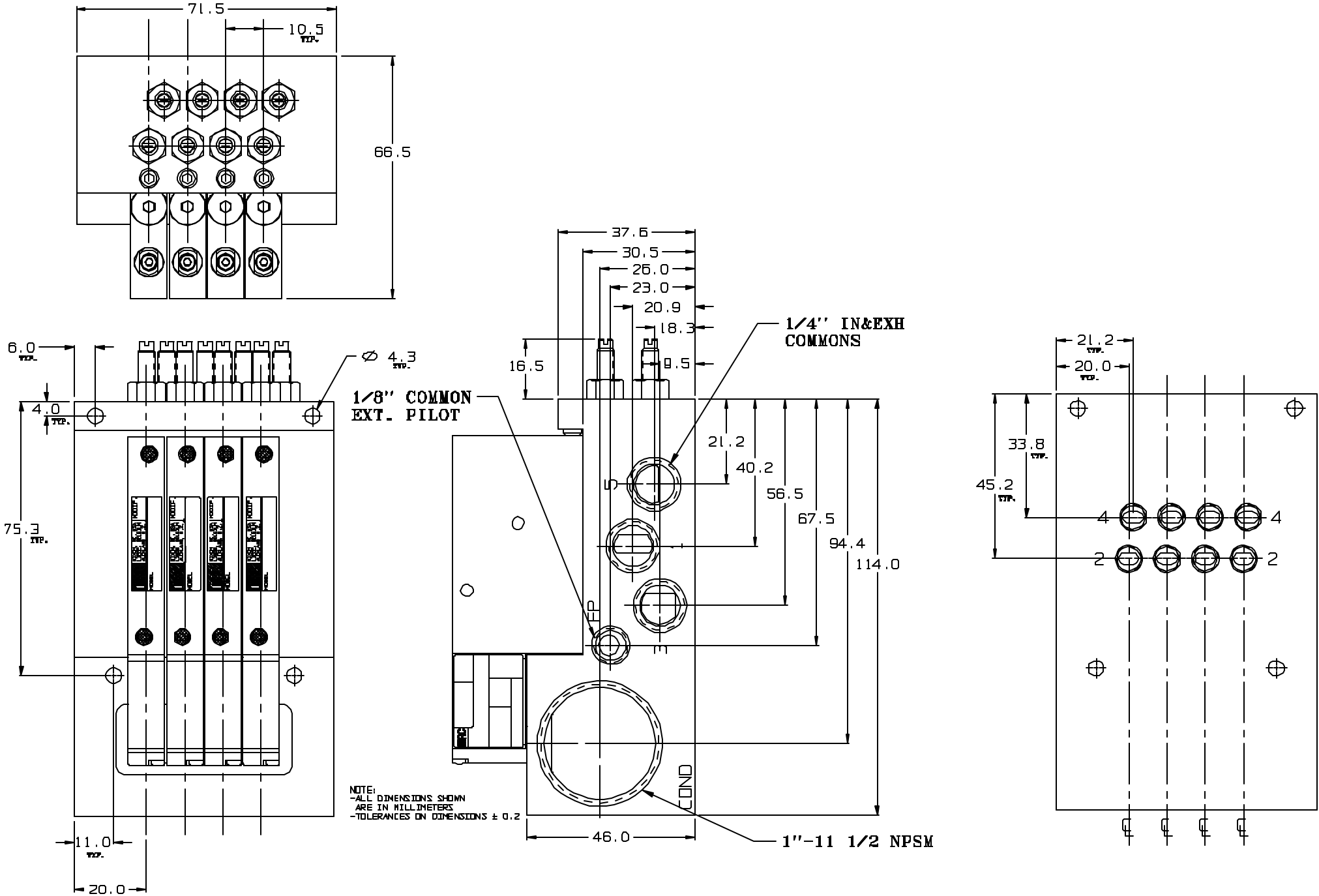


42 SERIES NON PLUG-IN BAR W/ FLOW CONTROLS AND REGULATOR

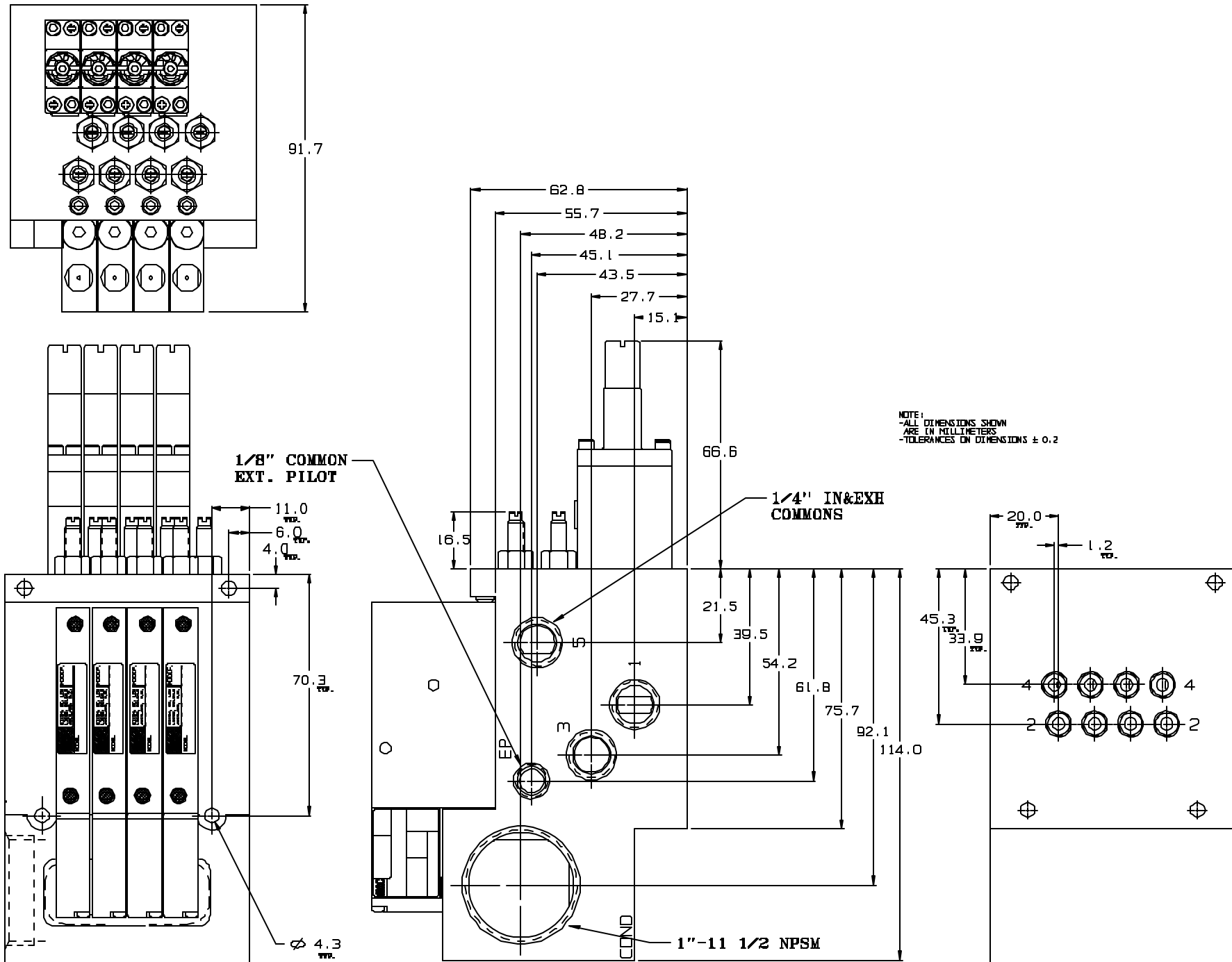
(M7 PORTS SHOWN)



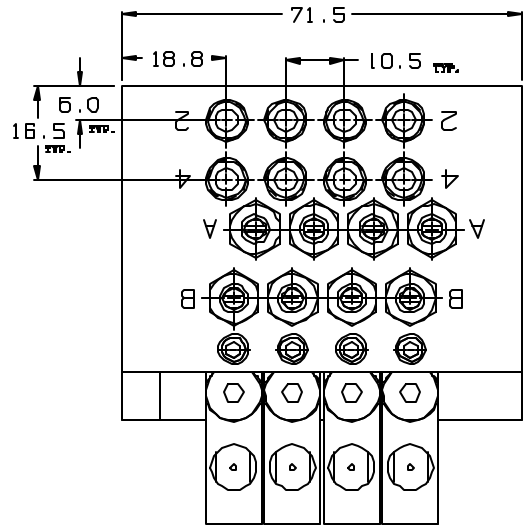
42 SERIES PLUG-IN BAR W/ FLOW CONTROLS AND BOTTOM PORTS



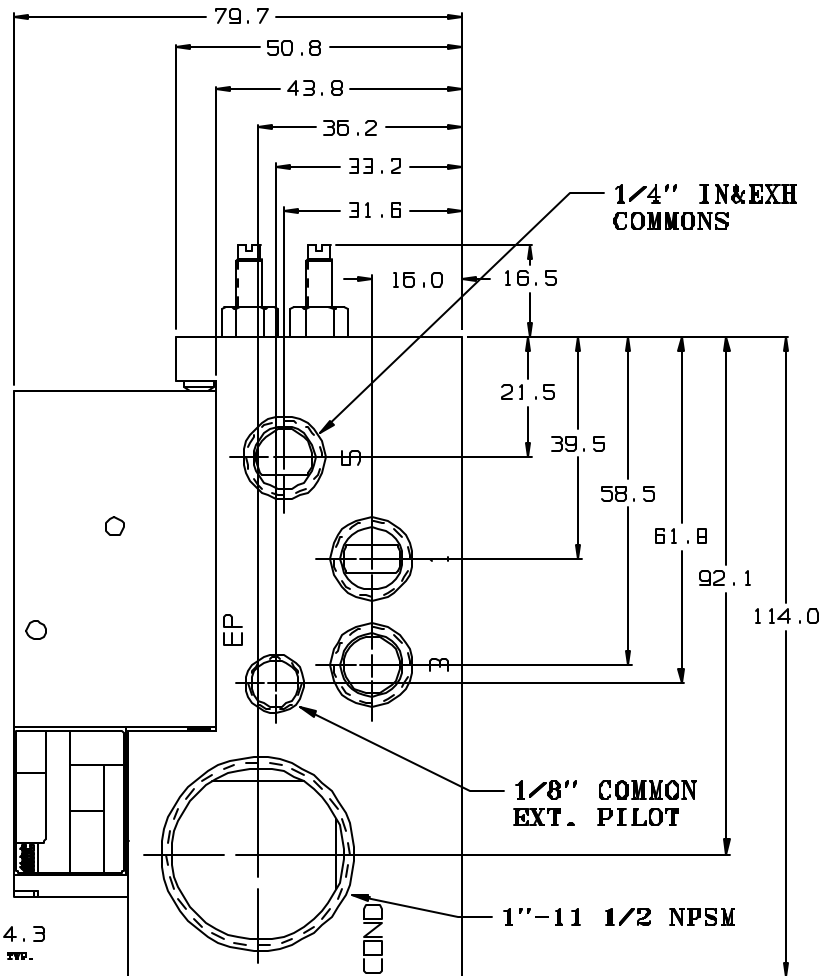
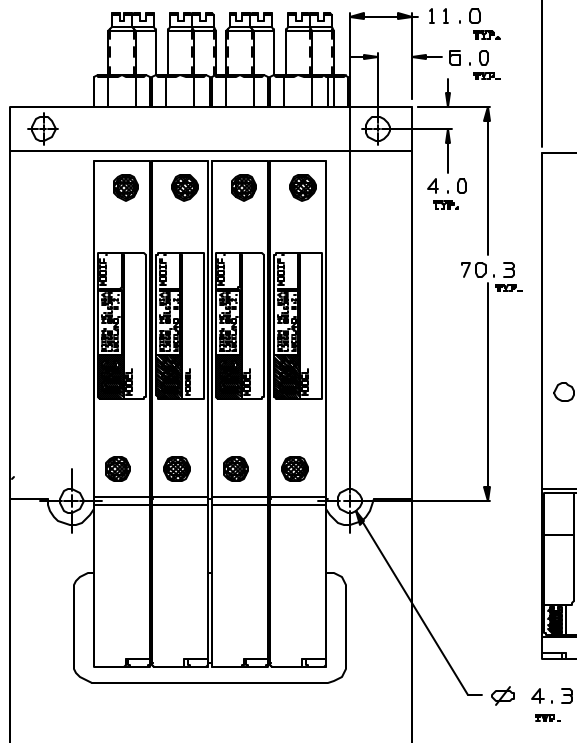
42 SERIES PLUG-IN BAR W/FLOW CONTROLS AND REGULATOR WITH BOTTOM PORTS



42 SERIES PLUG-IN BAR W/FLOW CONTROLS AND SIDE PORTS (M7 PORTS SHOWN)



NOTE:
-ALL DIMENSIONS SHOWN
ARE IN MILLIMETERS
-TOLERANCES IN DIMENSIONS ± 0.2



42 SERIES PLUG-IN BAR W/ REGULATOR AND BOTTOM PORTS

