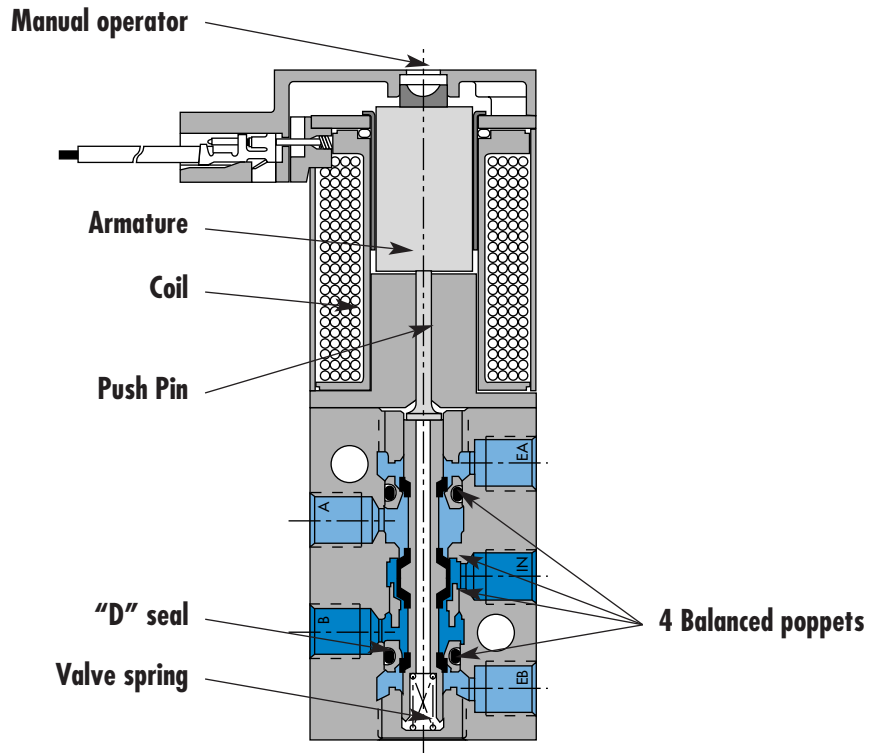


Individual mounting

Series

Inline



33

34

36

32

37

38

52

67

69

44

46

42

47

48P

48

400

92

SERIES FEATURES

- High force MACSOLENOID®.
- 10mm direct operated.
- # 10-32 or M5 ports.
- Rated for lubricated or non-lubricated service.

93

ISO 01

ISO 02

ISO 1

ISO 2

ISO 3



Direct solenoid and solenoid pilot operated valves

Function	Port size	Flow [Max]	Individual Mounting	Series
5/2	M5, # 10-32	0.1 C_v	Inline	

OPERATIONAL BENEFITS

1. 10 mm valve, direct solenoid operated.
2. Balanced poppet, immune to variations of pressure.
3. Short stroke with high flow.
4. The patented solenoid develops high shifting forces.
5. Powerful return spring.
6. Flow is specifically adjusted on each valve.
7. Manual operator standard on all valves.



33
34
36
32
37
38
52
67
69
44

HOW TO ORDER

SOLENOID OPERATOR

Port size	Universal valve	For use with external flow controls
M5	44C-ABA-G xxx-xxx	44C-BBA-G xxx-xxx
# 10-32	44C-AAA-G xxx-xxx	44C-BAA-G xxx-xxx

46
42
47
48P

LATCHING SOLENOID

Port size	Universal valve	For use with external flow controls
M5	44B-ABA-L xxx-xxx	44B-BBA-L xxx-xxx
# 10-32	44B-AAA-L xxx-xxx	44B-BAA-L xxx-xxx

48
400
92

SOLENOID OPERATOR >

G **xxx-xxx***

XX Voltage	X Wire length	X Manual operator	XX Electrical connection
AA 120 VAC (2.5W)	A 18"	1 Non-locking recessed	BA Flying leads
DC 24 VDC (1.8W)	B 24"	2 Locking recessed	BT Flying leads with light
DD 24 VDC (2.5W)			GA MAC JAC Solenoid Plug-in
DF 24 VDC (4.0W)			KA Plug-in wire assembly.
			KC Plug-in wire assembly with rectifier & light
			KT Plug-in wire assembly with light

* Other options available, see page 311.
Note : AC voltage requires connector with rectifier

93
ISO 01
ISO 02
ISO 1
ISO 2
ISO 3

LATCHING SOLENOID >

L **xxx-xxx***

XX Voltage	X Wire length	X Manual operator	XX Electrical connection
DF 24 VDC (4.0W)	A 18"	0 No operator	BA 2 Wire flying leads
HA 24 VDC (1.95W)	B 24"		BJ 4 Wire flying leads
	C 36"		KA 2 Wire plug-in assembly
			KE 4 Wire plug-in assembly
			LA 3 Wire plug-in assembly (Polarity switching cover)

* Other options available, see page 319.

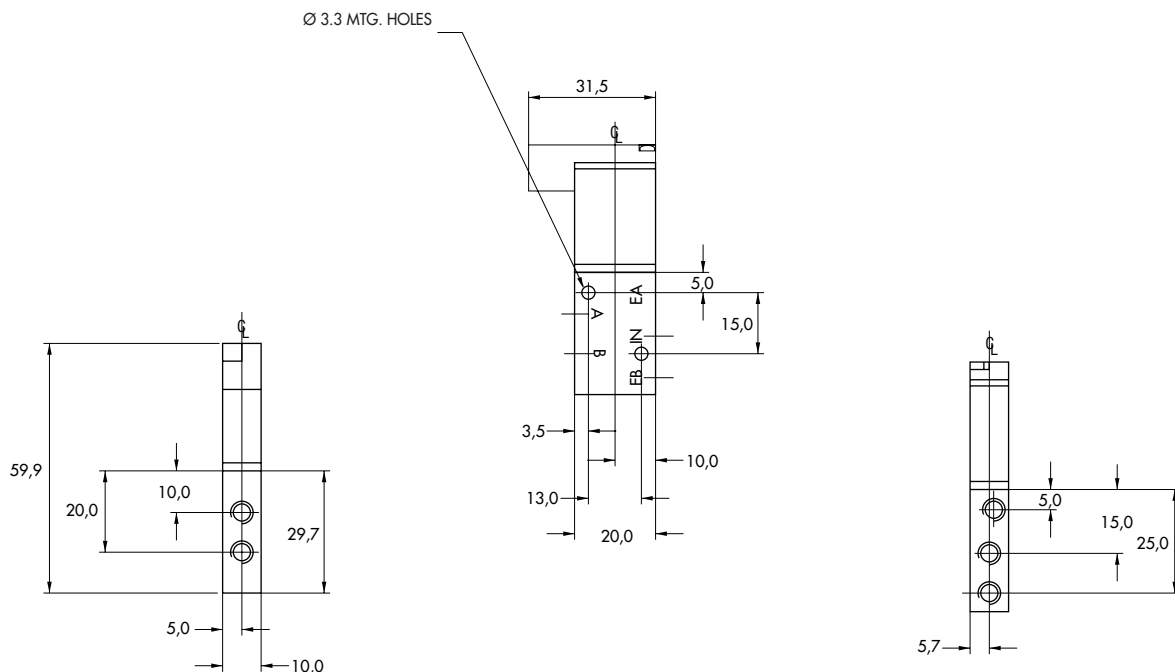
TECHNICAL DATA

Fluid :	Compressed air, vacuum, inert gases
Pressure range :	Vacuum to 120 PSI
Lubrication :	Not required, if used select a medium aniline point lubricant (between 180°F and 210°F)
Filtration :	40 µ
Temperature range :	0°F to 120°F (-18°C to +50°C)
Flow :	4 W : (0.10 C _v) – 2.5 W : (0.08 C _v) – 1.8 W : (0.06 C _v) – 1.0W : (0.05 C _v)
Coil :	Class A wire (#22 AWG x 18), continuous duty
Voltage range :	-15% to +10% of nominal voltage
Power :	4 W – 2.5 W – 1.8 W – 1.0 W
Response times : (with 4 W coil)	Energize : 3.4 ms De-energize : 1.5 ms

Note : • Valve and coil are not interchangeable.

DIMENSIONS

Dimensions shown are metric (mm)



Codification table for voltages / Manual operator / Electrical connection

VALVE CODE > **G XX X-X XX**
1 2 3 4

OPTIONS AVAILABLE FOR

- Solenoid valves 32, 34, 38, 42, 44 & 48 Series

1. VOLTAGE

G-XX X-X XX	VOLTAGE	
AA	120 VAC (2.5W)	Requires electrical connector with rectifier
AC	24 VAC (4.0W)	Requires electrical connector with rectifier
DA	24 VDC (1.0W)	
DC	24 VDC (1.8W)	
DD	24 VDC (2.5W)	
DE	24 VDC (3.0W)	
DF	24 VDC (4.0W)	
DG	12 VDC (1.0W)	
DJ	12 VDC (1.8W)	
DK	12 VDC (2.5W)	
DM	12 VDC (3.0W)	
DN	12 VDC (4.0W)	
DR	6 VDC (1.8W)	
DS	6 VDC (3.0W)	
EB	48 VDC (1.8W)	
EC	48 VDC (3.0W)	
ED	120 VDC (2.5W)	
GD	12 VDC (0.5W)	34 series only
GE	24 VDC (0.5W)	34 series only

2. WIRE LENGTH

G-XX X-X XX	WIRE LENGTH	
0	No lead wires	(used only with "KJ" & "KM" connectors)
A	18" coil leads	
B	24" coil leads	
C	36" coil leads	
D	48" coil leads	
E	72" coil leads	
F	96" coil leads	
G	120" coil leads	
H	144" coil leads	
I	18" base leads	
2	24" base leads	
3	36" base leads	
4	48" base leads	
5	72" base leads	
6	96" base leads	
7	120" base leads	

3. MANUAL OPERATOR

G-XX X-X XX	MANUAL OPERATOR	
1	Non-locking recessed	
2	Locking recessed	
3	Non-locking extended	
4	Locking extended	

4. ELECTRICAL CONNECTION

G-XX X-X XX	ELECTRICAL CONNECTION	
BA	Flying leads	
BB	BA with ground wire	
BC	BA with light	
BD	BA with light and ground wire	
BE	BA with suppression diode	
BF	BA with suppression diode and ground wire	
BG	BA with suppression diode and light	
BH	BA with suppression diode, light and ground wire	
BN	BA with suppression diode and blocking diode	
BP	BA with suppression diode, blocking diode and ground wire	
BR	BA with suppression diode, blocking diode and light	
BS	BA with suppression diode, blocking diode, light and ground wire	
GA	MAC JAC Solenoid plug-in	
GB	MAC JAC Solenoid plug-in w/Diode	
GC	MAC JAC Solenoid plug-in w/MOV	
GD	MAC JAC Solenoid plug-in w/LED	
GE	MAC JAC Solenoid plug-in w/Diode & LED	
GF	MAC JAC Solenoid plug-in w/MOV & LED	
GG	MAC JAC Solenoid plug-in w/Rectifier	
GH	MAC JAC Solenoid plug-in w/Rectifier & LED	
KA	Solenoid plug-in wire assembly	
KB	KA with ground	
KC	KA with rectifier and light	
KD	KA with rectifier, light and ground	
KE	KA with suppression diode	
KF	KA with suppression diode and ground	
KJ	Solenoid plug-in housing without wire assembly	
KM	Solenoid plug-in housing with ground pin without wire assembly	
KN	KA with suppression diode and blocking diode	
KP	KA with suppression diode, blocking diode and ground	
KT	KA with light	
KU	KA with light and ground	
KV	KA with suppression diode and light	
KW	KA with suppression diode, light and ground	
KX	KA with suppression diode, blocking diode and light	
KY	KA with suppression diode, blocking diode, light & ground	

ELECTRICAL CONNECTION FOR PLUG-IN VALVES

G-XX X-X XX	PLUG-IN OPTIONS	
SB	Base plug-in with ground	
SC	Base plug-in with suppression and blocking diode	
SD	Base plug-in with suppression and blocking diode and ground	
SE	Base plug-in with MOV	
SF	Base plug-in with MOV and ground	
SG	Base plug-in with rectifier	
SH	Base plug-in with rectifier and ground	
SK	Base plug-in with light and ground	
SL	Base plug-in with suppression and blocking diode and light	
SM	Base plug-in with suppression and blocking diode with light and ground	
SN	Base plug-in with MOV and light	
SP	Base plug-in with MOV and light with ground	
SR	Base plug-in with rectifier and light	



Codification table for voltages / Manual operators / Electrical connections

VALVE CODE > $L \frac{XX}{1} \frac{X-X}{23} \frac{XX}{4}$

OPTIONS AVAILABLE FOR

- Solenoid valves 32, 38, 42, 44, 47 & 48 Series

1. VOLTAGE (32, 38, 42, 44, 48 SERIES)		1. VOLTAGE (47 SERIES)	
L-XX X-X XX	VOLTAGE	L-XX X-X XX	VOLTAGE
DF	24VDC (4.0W)	DA	24VDC (5.2W)
DN	12VDC (4.0W)	DF	12VDC (5.2W)
HA	24VDC (1.95W)		
HE	12VDC (1.95W)		

2. WIRE LENGTH (all series)	
L-XX X-X XX	WIRE LENGTH
O	No lead wire
A	18"
B	24"
C	36"
D	48"
E	72"
F	96"
G	120"
H	144"

3. MANUAL OPERATOR (all series)	
L-XX X-X XX	MANUAL OPERATOR
O	No operator

4. ELECTRICAL CONNECTOR (32, 38, 42, 44 & 48 series)	
L-XX X-X XX	NON PLUG-IN
BA	2 wire flying leads
BB	2 wire flying leads with ground wire
BC	2 wire flying leads with light
BD	2 wire flying leads with light & ground wire
BJ	4 wire flying leads
BK	4 wire flying leads with ground
BL	4 wire flying leads with light
BM	4 wire flying leads with light & ground wire
KA	2 wire plug-in assembly
KB	2 wire plug-in assembly with ground wire
KC	2 wire plug-in assembly with light
KD	2 wire plug-in assembly with light and ground wire
KE	4 wire plug-in assembly
KF	4 wire plug-in assembly with ground wire
KG	4 wire plug-in assembly with light
KH	4 wire plug-in assembly and ground wire
LA	3 wire plug-in assembly (polarity switching cover)

L-XX X-X XX	PLUG-IN
*DA	Base plug-in
*DB	Base plug-in with ground pin
*DC	Base plug-in with light
*DD	Base plug-in with light & ground pin
**EA	Base plug-in 3 pin (Polarity switching cover)

4. ELECTRICAL CONNECTOR (47 series)	
L-XX X-X XX	NON PLUG-IN
BA	2 wire flying leads
BB	2 wire flying leads with ground wire
BC	2 wire flying leads with light
BD	2 wire flying leads with light & ground wire
BJ	4 wire flying leads
BK	4 wire flying leads with ground
BL	4 wire flying leads with light
BM	4 wire flying leads with light & ground wire
LA	3 wire plug-in assembly (Polarity switching cover)
MA	2 wire plug-in assembly
MB	2 wire plug-in assembly with ground wire
MC	2 wire plug-in assembly with light
MD	2 wire plug-in assembly with light and ground wire
ME	4 wire plug-in assembly
MF	4 wire plug-in assembly with ground wire
MG	4 wire plug-in assembly with light
MH	4 wire plug-in assembly with light and ground wire

L-XX X-X XX	PLUG-IN
EA	Base plug-in 3 pin (Polarity switching cover)
FA	Base plug-in with ground
FB	Base plug-in with ground & light
FC	Base plug-in 4 wire with ground
FD	Base plug-in 4 wire with light & ground

* Use these options for plug-in base with 2 or 4 wire assemblies

** Use this option for plug-in bases with 3 wire assemblies