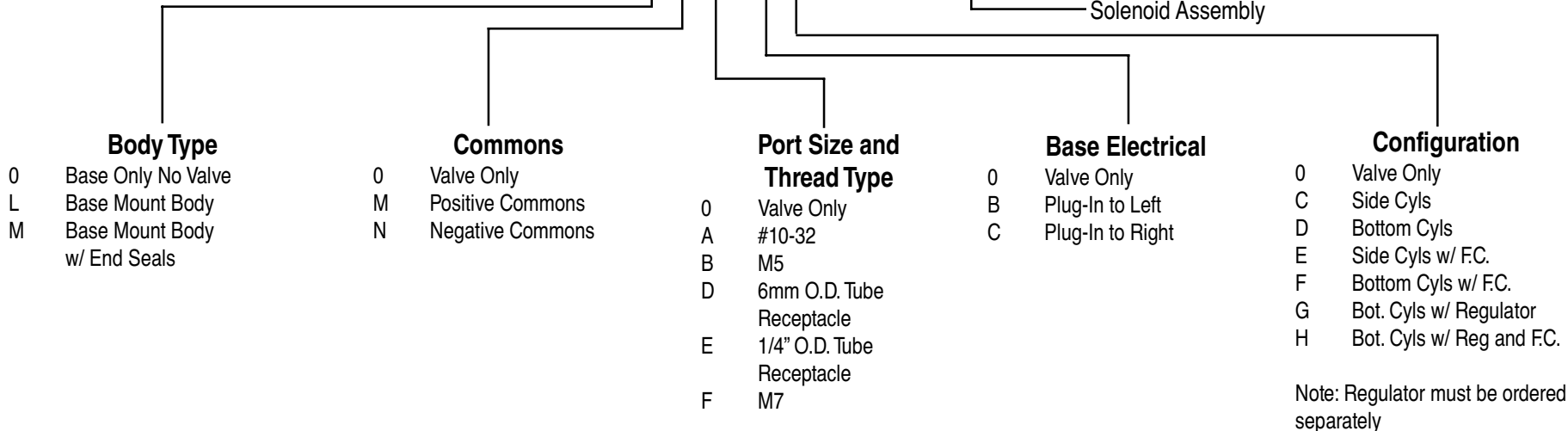


How To Order

44 Series MAConnect™

44B - X X X - X X - LXXP - X XX
 GXXP- X XX

Solenoid Assembly



Parts

28487 Exhaust Isolator
 28486 Inlet Isolator

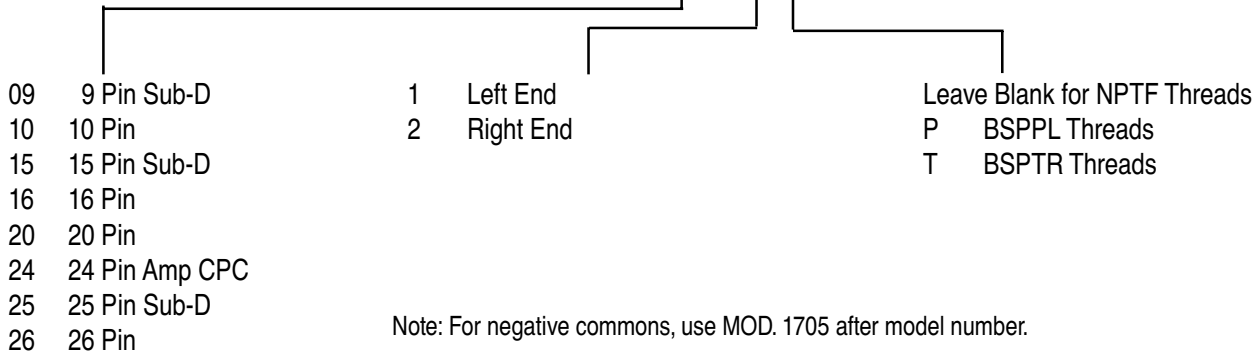
44 Series MAConnect™

How to Order

Adapters / End Plate Kit

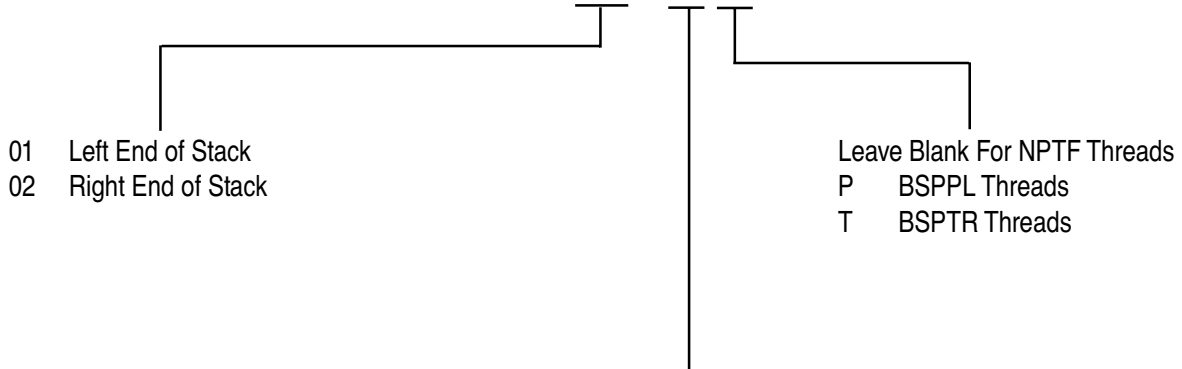
MAConnect™ Adapter Assembly

M-44005- XX - X X



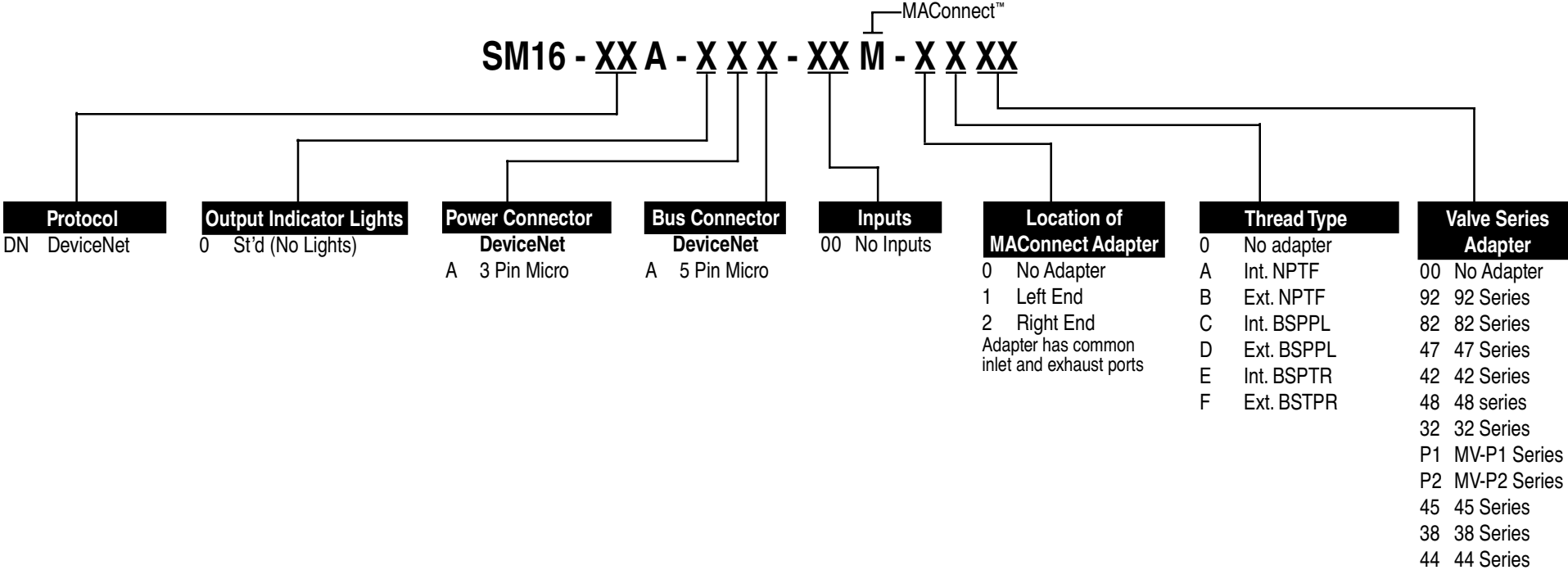
MAConnect™ Fastening End Plate Kit

M-44007- XX - 01 X



Note: "01" should be used only when the Fastening End Plate Kit is ordered separately. When the kit is ordered with an assembly this number will change to indicate the number of valves in the stack.

How to Order SM16 for MAConnect™ Serial Manifold



How to Order SM32 for MACConnect™ Serial Manifold

MACConnect™
SM32 - XX A - X X X - X X M - X X XX -9

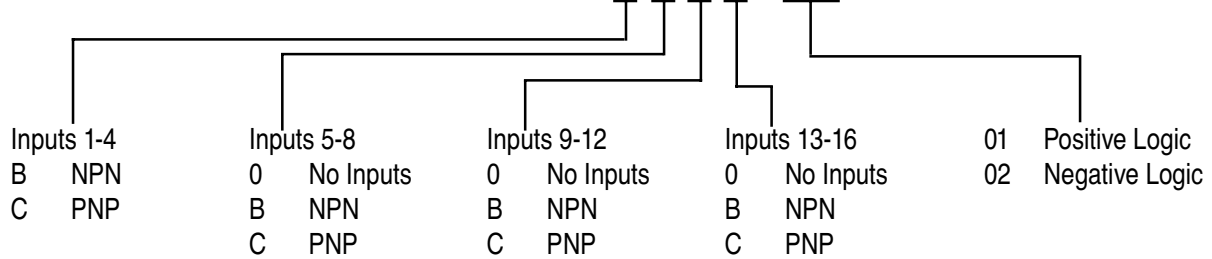
Protocol		Output Indicator Lights	Power Connector	Bus Connector	Inputs	Input Types	Location of MACConnect Adapter	Pilot and Thread Type	Valve Series Adapter	
DN	DeviceNet	Monitoring Valve Signal	DeviceNet	DeviceNet	A No Inputs	A No Inputs	0 No Adapter	A No adapter	00	No Adapter
PB	Profibus	A St'd (16)	A 3 Pin Mini	A 5 Pin Mini	B 1 Input	B NPN	1 Left End	B Int. NPTF	42	42 Series
IB	Interbus-S	Monitoring Bus Logic Signal	B 4 Pin Mini	B 5 Pin Micro	C 2 Inputs	C PNP	2 Right End	B Ext. NPTF	47	47 Series
AB	Allen Bradley Remote IO	B St'd (16)	C 3 Pin Micro	C 5 Pin Mini	D 3 Inputs			C Int. BSPPL	48	48 Series
AS	AS-I	ASI Available Only w/ (B) Monitoring Signal	E 4 Pin Mini	End Mount	E 4 Inputs			D Ext. BSPPL	82	82 Series
			Side Mount	2 Conn.	F Tethered			E Int. BSPTR	92	92 Series
			Profibus & Interbus-S	Profibus	16 Inputs			F Ext. BSTPR	32	32 Series
			F 3 Pin Mini	D 9 Pin Sub-D	8 on AS-I			** N No Pilot Port	P1	MV-P1 Series
			H 4 Pin Mini	Interbus-S				** 82 Series Only	P2	MV-P2 Series
			AB Remote IO	E 9 Pin Sub-D					45	45 Series
			G 5 Pole Term.	Male &					38	38 Series
			B 4 Pin Mini	Female					44	44 Series
			AS-I	AB Remote IO						
			D 4 Pin Micro	F 3 Pole Term.						
				G 4 Pin Micro						
				(2 4-Pin Connectors)						
				AS-I						
				G 4 Pin Micro						
				2 Conn.						
				H 4 Pin Micro						
				2 Conn. w/						
				2 Prog. Ports						

How to Order

Input and Output Modules

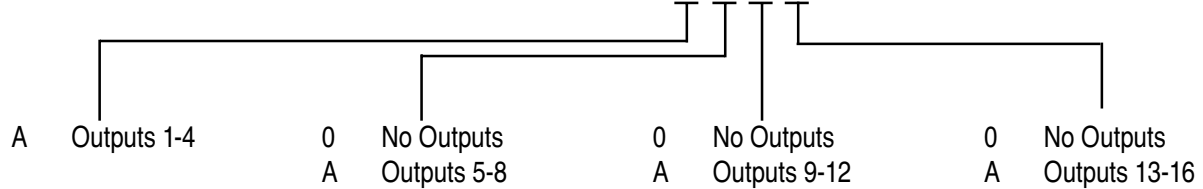
Remote Tethered Input Module (For use with SM32 only)

N-SM005 - X X X X - XX

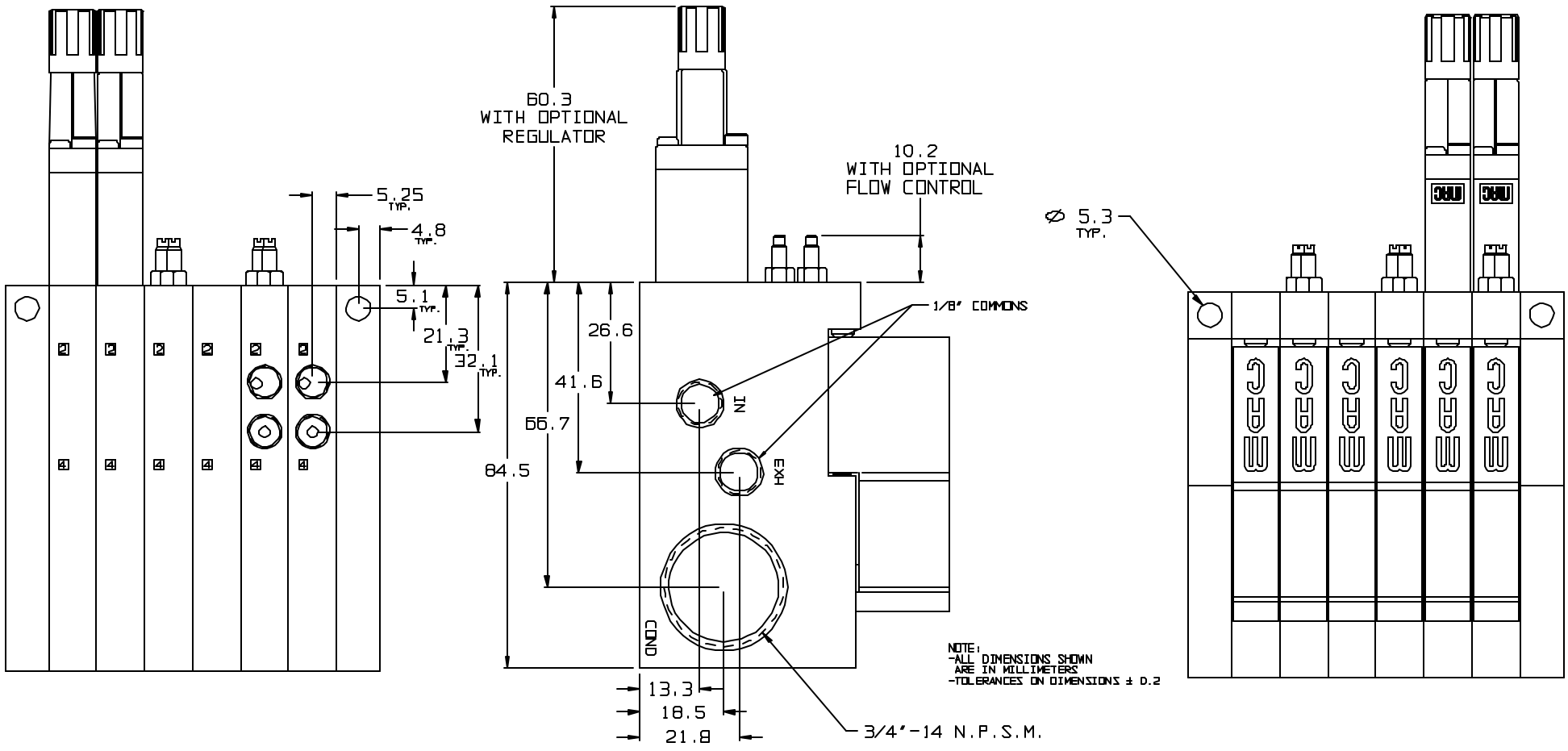
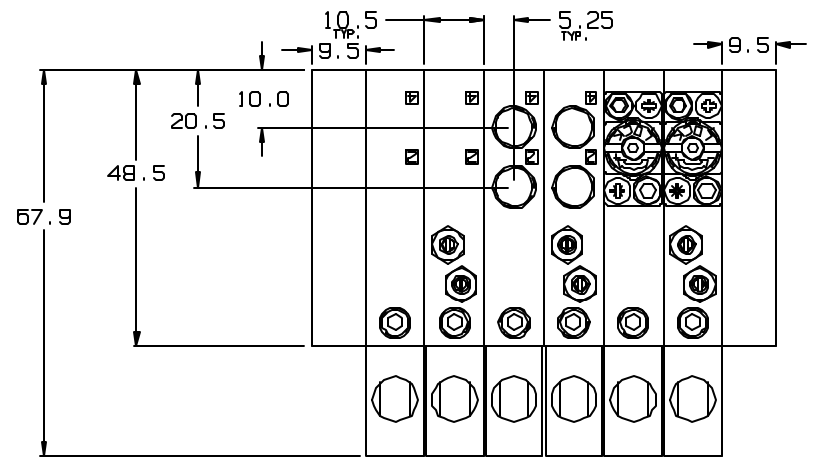


Remote Tethered Output Module (For use with SM32 only)

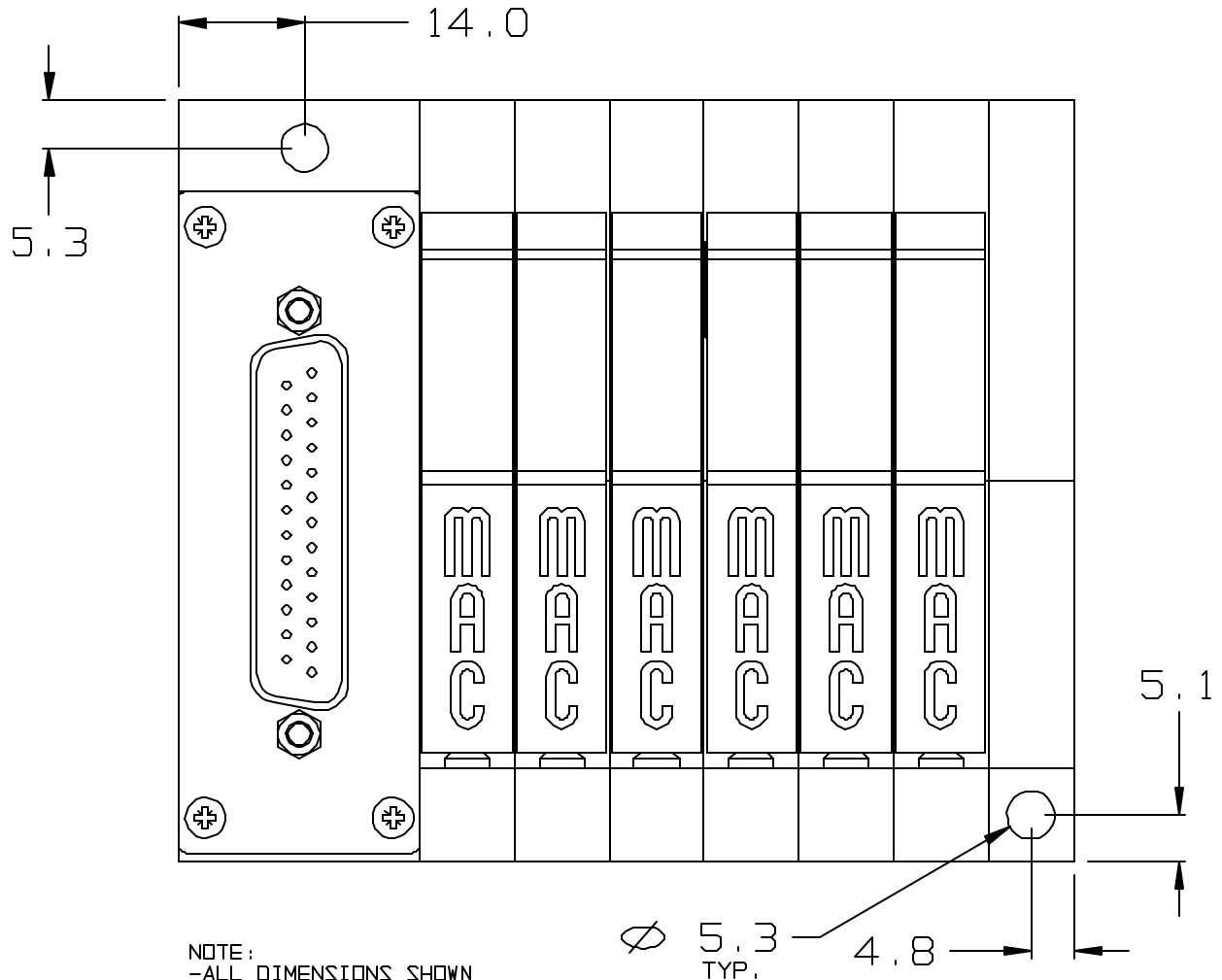
N-SM006 - X X X X



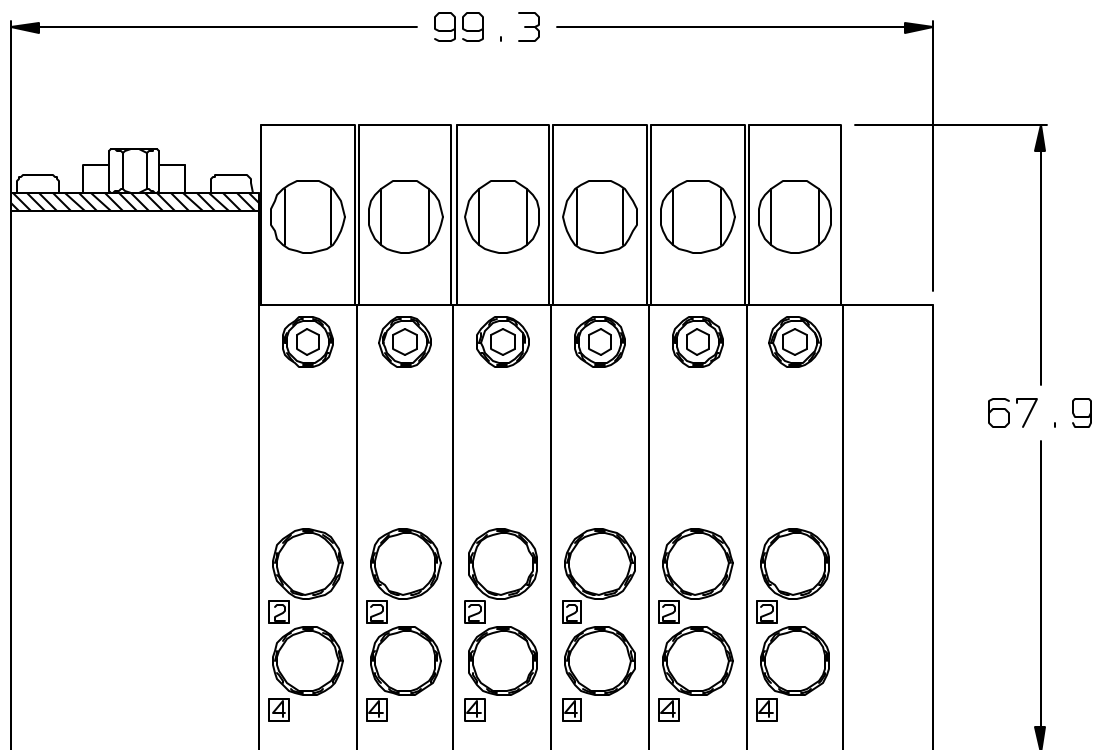
44 SERIES PLUG-IN MANIFOLD



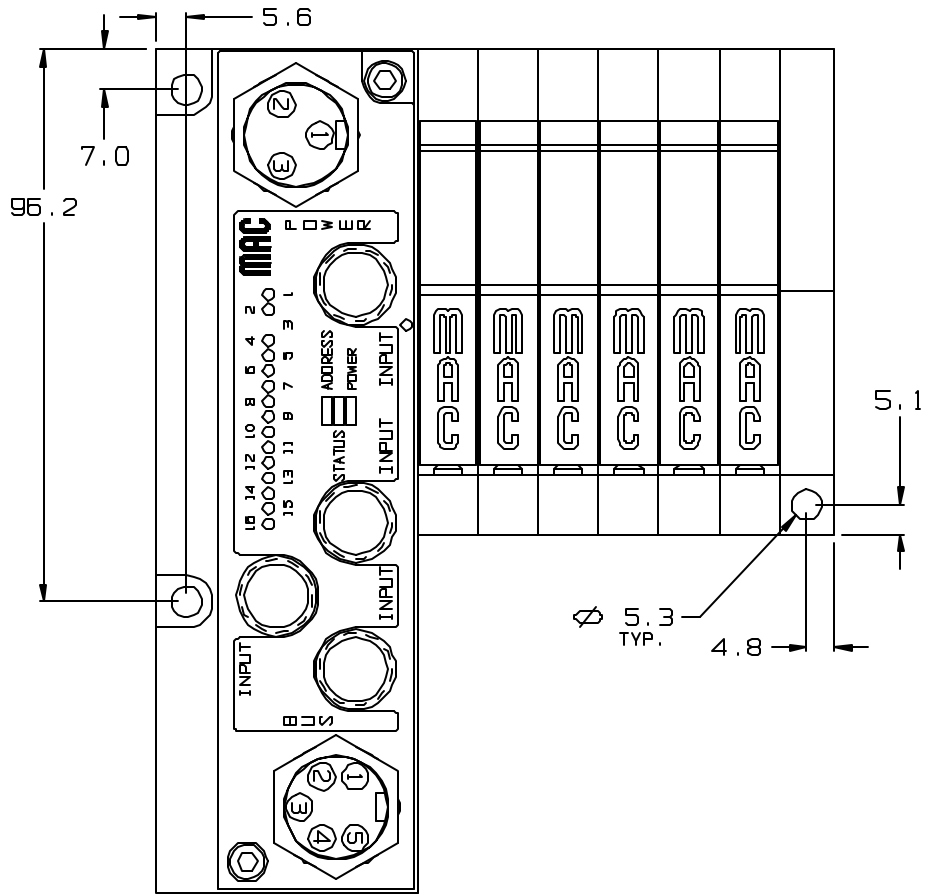
44 SERIES MACONNECT WITH MULTI PIN



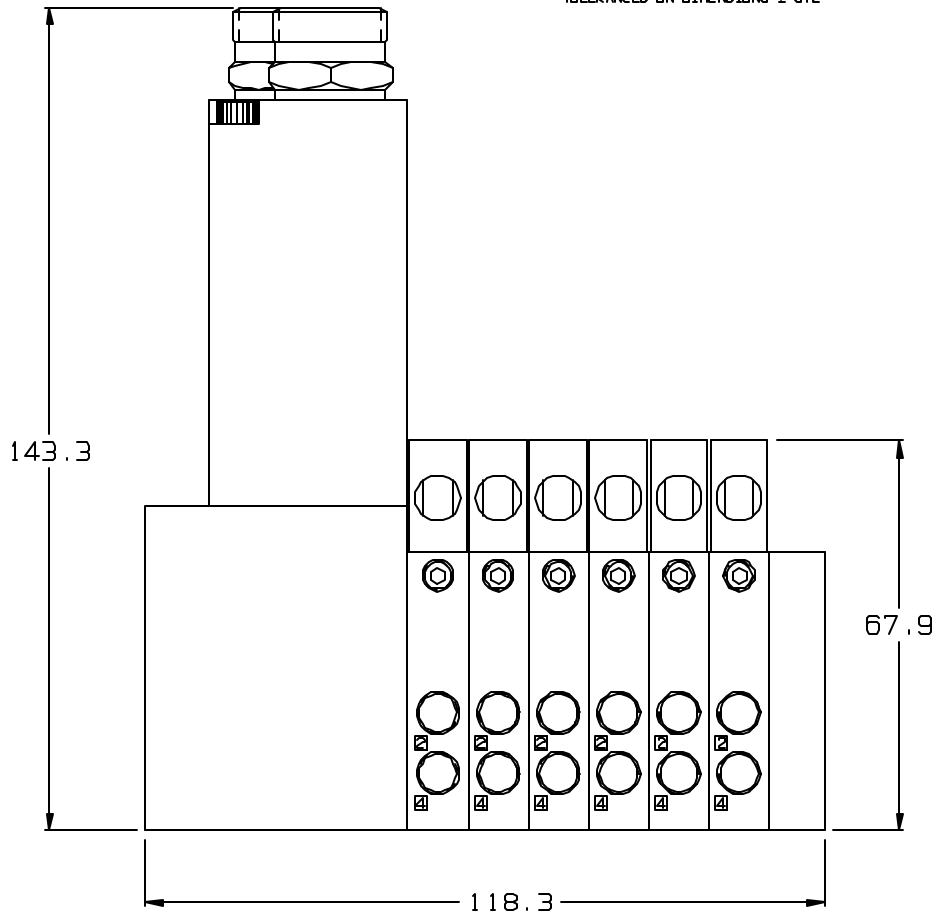
NOTE:
 -ALL DIMENSIONS SHOWN
 ARE IN MILLIMETERS
 -TOLERANCES ON DIMENSIONS ± 0.2



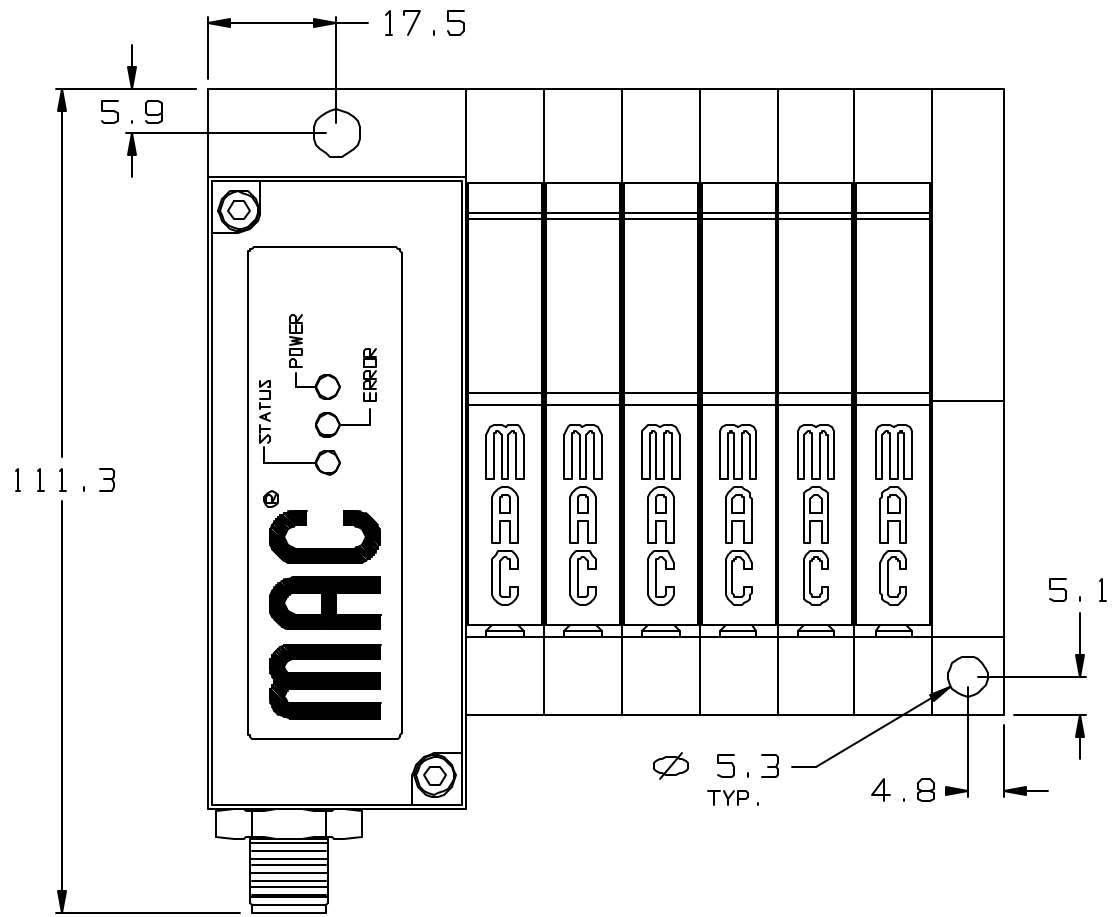
44 SERIES MACONNECT WITH SM32



NOTE:
 -ALL DIMENSIONS SHOWN
 ARE IN MILLIMETERS
 -TOLERANCES ON DIMENSIONS ± 0.2



44 SERIES MACONNECT WITH SM16



NOTE:
-ALL DIMENSIONS SHOWN
ARE IN MILLIMETERS
-TOLERANCES ON DIMENSIONS ± 0.2

