

MAC 200 Series 3 Way Valve

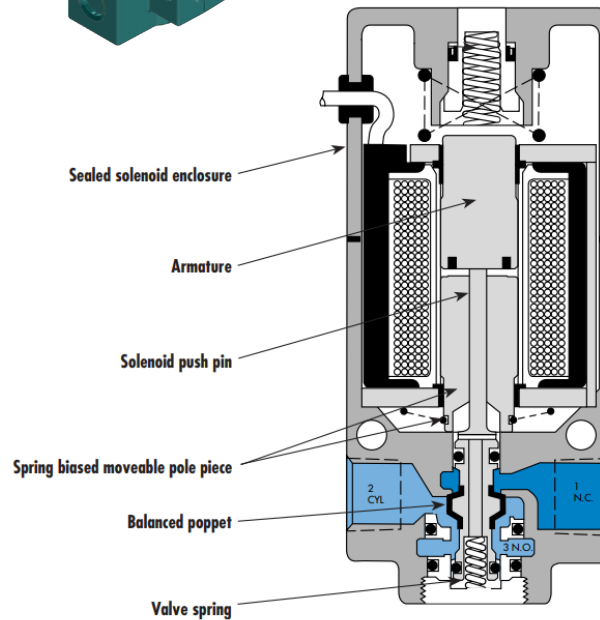
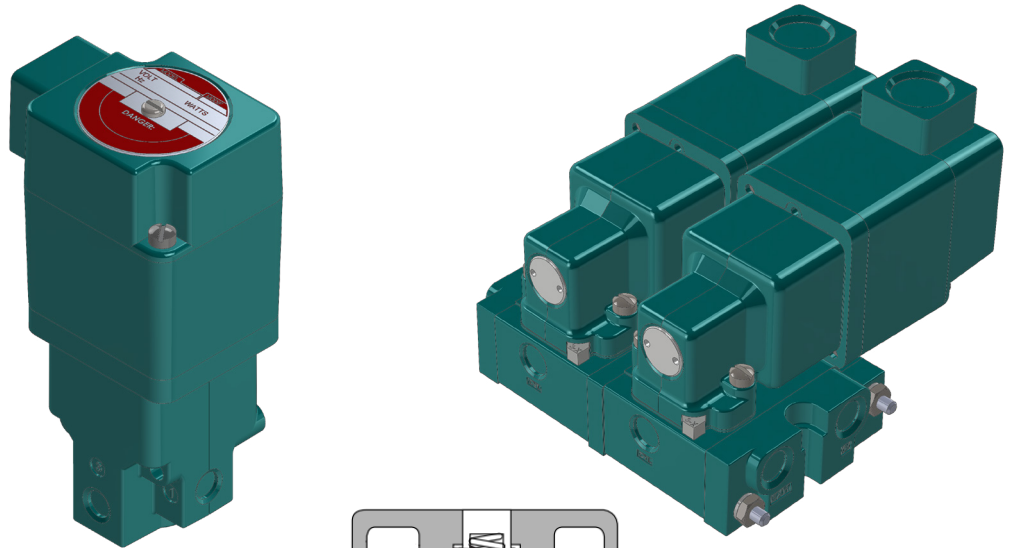
CV Max: 0.5

Port Size: 1/8" - 1/4"

Configurations: Inline, Individual & Manifold Sub-base

MAC's entry into the hazardous location market began with the 200 Series. This valve is a direct operated, high flow poppet valve. Available in a variety of form factors, the 200 Series caters well to many applications.

After 30 years in the field, the 200 series hazardous location valve is a proven solution and serves as testament to MAC quality and design through the decades.



Features and Benefits

- Balanced poppet immune to variations in pressure.
- Triple rated coil 120/60,110/50, 24 VDC (6.0 W) offering maximum versatility in a single part number.
- Short stroke with high flow.
- High shifting force solenoid allows for high force return spring to resist contamination and sticking.



MAC 57, 58 and 59 Series 3 Way Valve

CV Max: 17.4 - 60

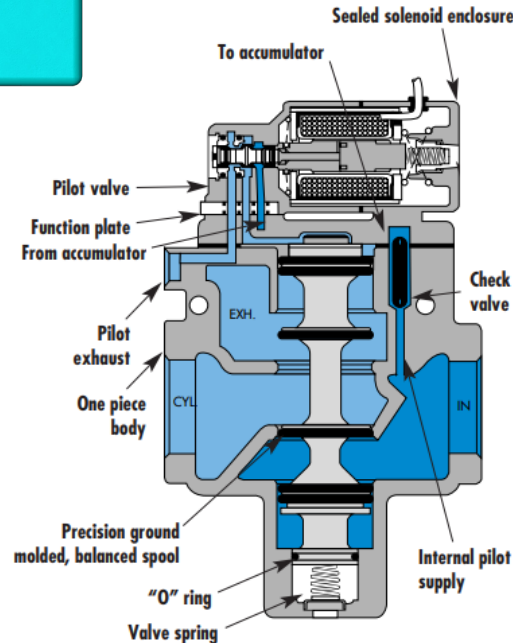
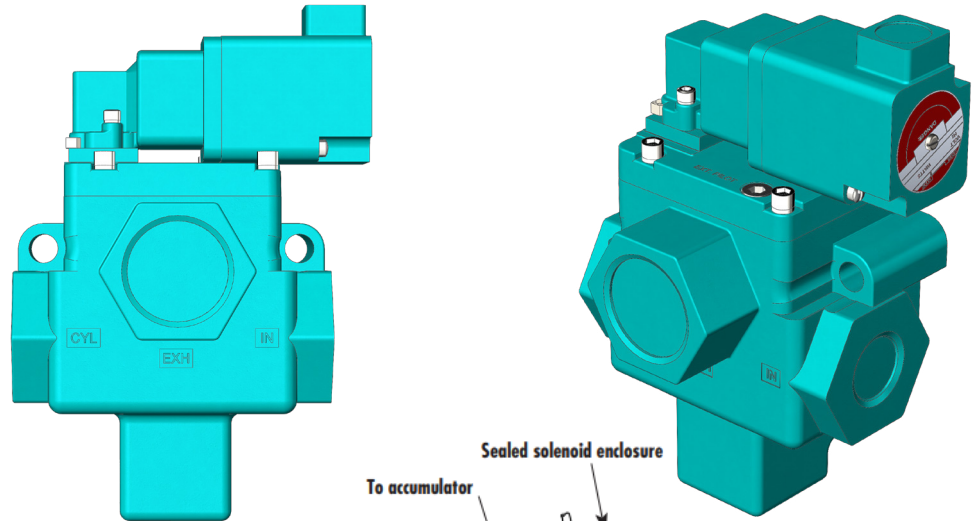
Configurations: Inline

Port Size: 1/2" - 2.5"

MAC's entry into the hazardous location market began with the 200 Series. This valve is a direct operated, high flow poppet valve. Available in a variety of form factors, the 200 Series caters well to many applications.

After 30 years in the field, the 200 series hazardous location valve is a proven solution and serves as testament to MAC quality and design through the decades.

Here the 200 Series is seen piloting the 58 Series 3 way valve.



58 Series shown

Features and Benefits

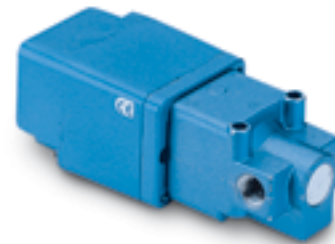
- The balanced pilot and main spool are immune to variations in pressure offering consistent performance.
- Short stroke with high flow.
- Checked accumulator guarantees maximum pilot pressure.
- Bonded spool with wiping action along with the glass like finished bore means a valve with high shifting force margins.
- Pilot valve function plate allows maximum flexibility to select between different functions (3-way Normally Closed, 3-way Normally Open, 2-way Normally Closed, 2-way Normally Open, Pressure Selector).



Function	Port size	Flow (Max)	Individual mounting	Series
3/2 NO-NC, 2/2 NO-NC	1/8" - 1/4"	0.5 C_v	inline hazardous location	

OPERATIONAL BENEFITS

1. Balanced poppet, immune to variations of pressure.
2. Short stroke with high flow.
3. The patented solenoid develops high shifting forces.
4. Powerful return spring.
5. Burn-out proof solenoid on AC service.



35

100

200

55

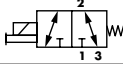
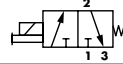
56

57

58

59

HOW TO ORDER

Port size	Universal valve	NC only valve
		
1/8" NPTF	224B-XX0EA	274B-XX0EA
1/4" NPTF	225B-XX0EA	275B-XX0EA

45

SOLENOID OPERATOR >

XX

XX	Voltage
11	120/60, 110/50, 24 VDC (6.0 W)
12	240/60, 220/50
22	24/60, 24/50
50	24 VDC (6.0 W)
55	12 VDC (6.0 W)
60	12 VDC (9.5 W)
61	24 VDC (8.5 W)

700

900

82

Notes:

The special version of the 200 Series designed for hazardous locations has been approved by CSA for Class I, Groups B, C & D; Class II, Groups E, F & G. Maximum rated fluid and ambient temperature is 40°C; maximum pressure is 150 p.s.i. Approval is limited to certain common AC & DC voltages which are those designated in the table above.

6300

These valves are supplied without manual operators. This version of the 200 Series can be supplied on the standard individual inline or the manifold valve body assemblies. It can also be supplied as a pilot for the 57, 58 and 59 Series (with special adapter plate # M-00012).

6500

6600

CHANGING FROM NORMALLY CLOSED TO NORMALLY OPEN

Individual inline valves can be changed from normally closed to normally open by connecting the inlet to port 3 instead of port 1.

1300

NORMALLY CLOSED ONLY MODELS

A single purpose Normally Closed only model is available for those applications where a greater tolerance for heavy concentrations of water, compressor products and other air line contaminants is desired. Model numbers are indicated above.

800

ISO 1

ISO 2

ISO 3

MAC 125A

MAC 250A

MAC 500A

TECHNICAL DATA	
Fluid :	Compressed air, vacuum, inert gases
Pressure range :	Vacuum to 150 PSI
Lubrication :	Not required, if used select a medium aniline point lubricant (between 180°F and 210°F)
Filtration :	40 μ
Temperature range :	0°F to 104°F (-18°C to 40°C)
Coil :	General purpose class A, continuous duty, encapsulated
Voltage range :	-15% to +10% of nominal voltage
Protection :	NEMA 7, NEMA 9; Class I Groups B, C & D; Class II Groups E, F & G.
Power :	~ Inrush : 33 VA Holding : 19.7 VA = 1 to 24 W
Response times :	24 VDC (8.5 W) Energize : 15 ms De-energize : 5 ms 120/60 Energize : 3-8 ms De-energize : 3-13 ms

Spare parts : • Solenoid operator (power ≥ 6 W) : D4-XXAAB. • Adapter plate ass'y. : A3-0506.

Options : • BSPP threads.

DIMENSIONS Dimensions shown are metric (mm)

