

Specifications

54 Series Valve

Fluids:

Compressed Air or Inert Gases

Lubrication:

Not required. If used, select a medium aniline point lubricant (between 180°F and 210°F)

Safe Operating Temperature Range:

0°F to 120°F (-18°C to 50°C)

Pressure Range:

Main Valve : Vacuum to 120 psi (External Pilot)
20 to 120 psi (Internal Pilot)

External Pilot: 20 to 120 psi

Single Remote Air: Same as Above
35 to 60 psi (Remote Pilot Single - This signal is independent of the main valve or pilot valve pressure)

Double Remote Air: 20 to 120 psi

Note: External pilot or double remote signal pressure must be equal to or greater than main valve pressure

Flow:

Up to 4.1 Cv

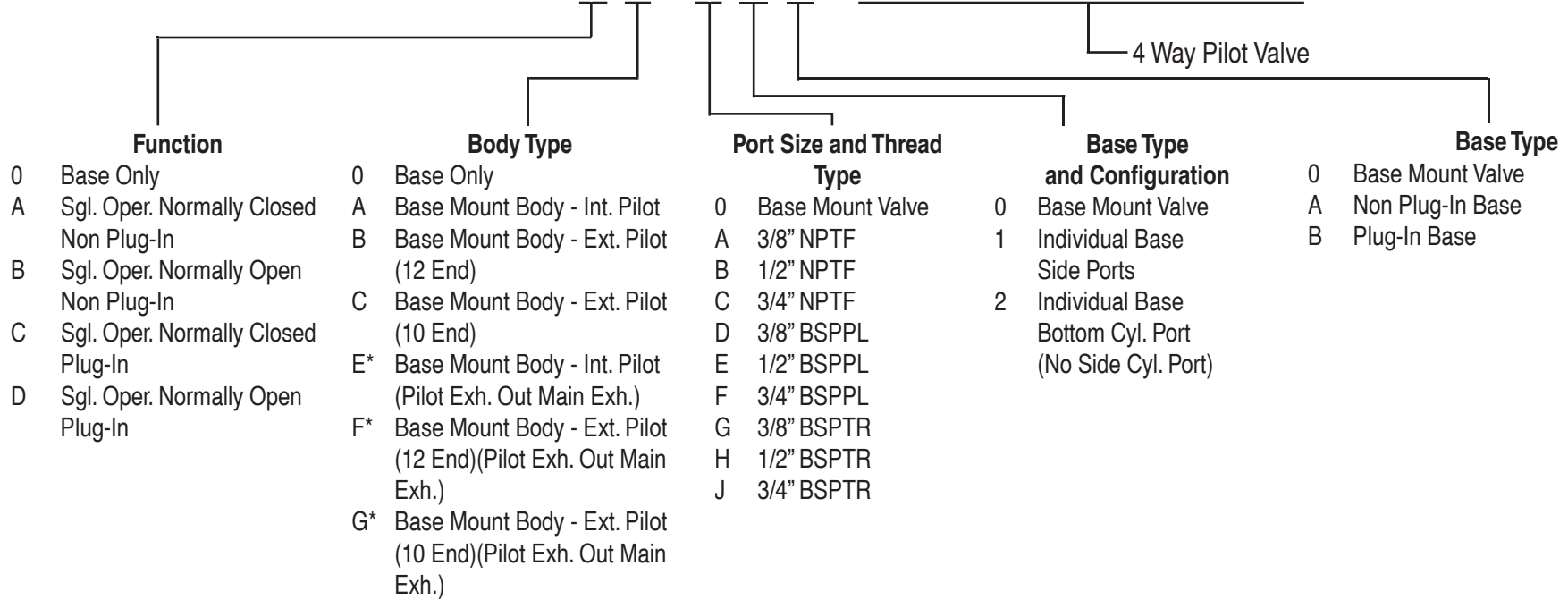
Electrical:

DC 12/24 Volt 1.0w to 5.4w (Higher Wattages Available)

AC 24, 120, 220, 240 VAC

How To Order 54 Series Valve

54A - X X - X X X - XX - X XX X - X XX



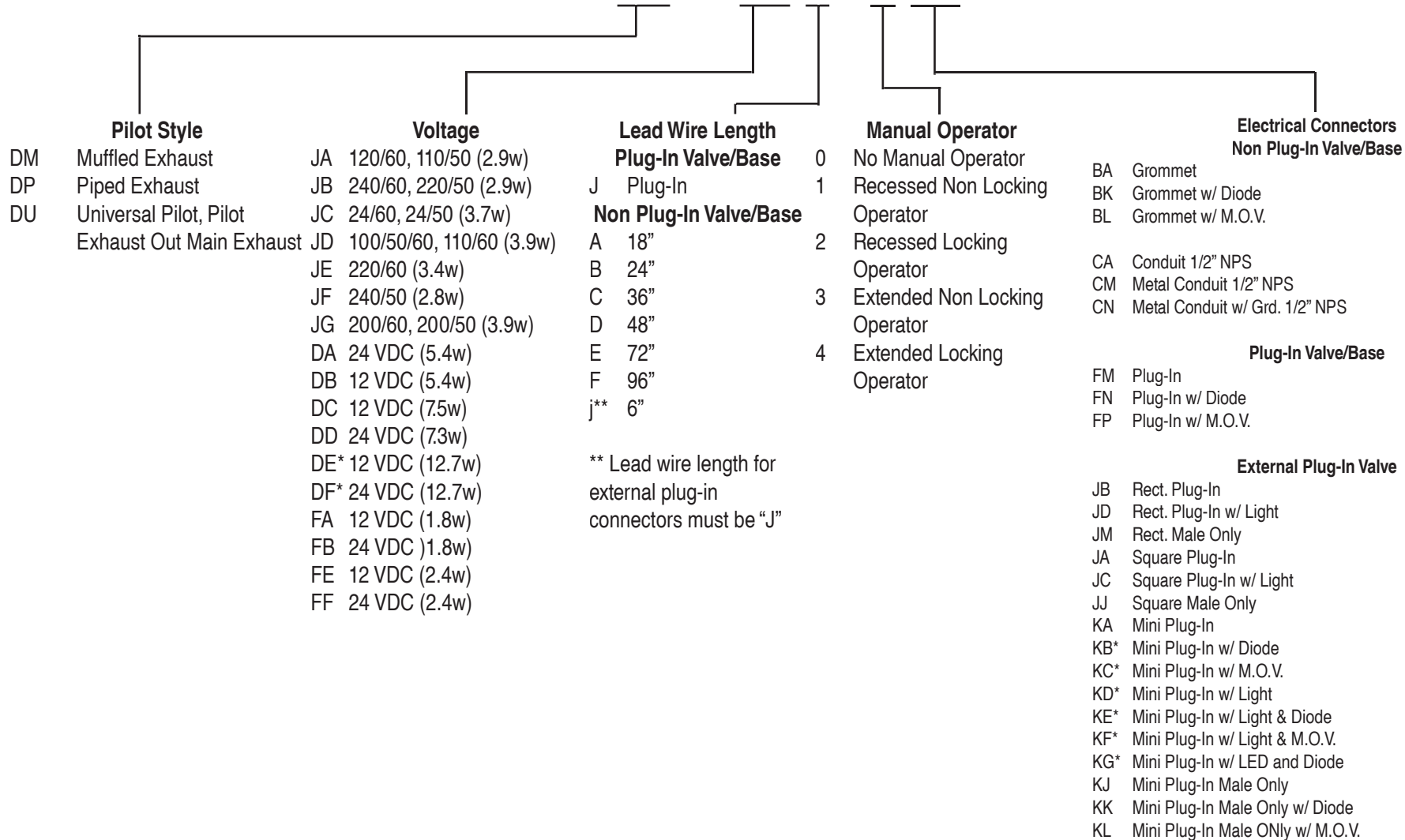
4 Way Pilot Valve

*Must use "DU" Pilot Body - Main
Exhaust Cannot Be Restricted

How To Order 4 Way Pilot Valve

- RA1 1 (Single Remote Air Pilot Operator)

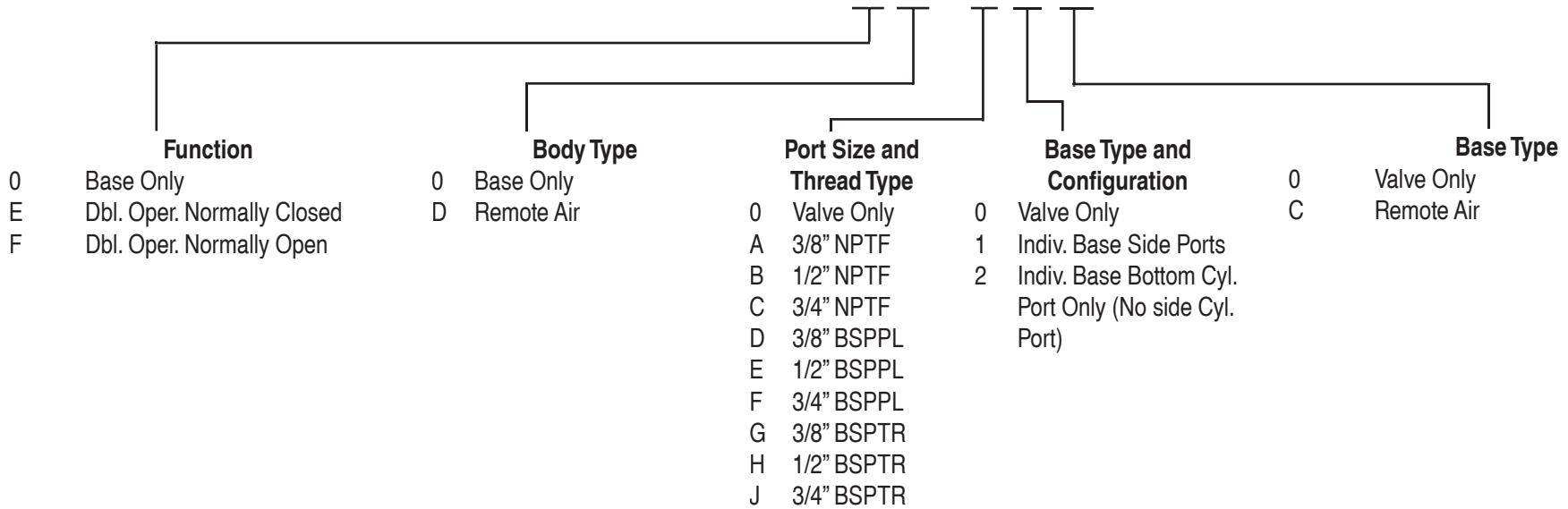
XX - DXX X - X XX

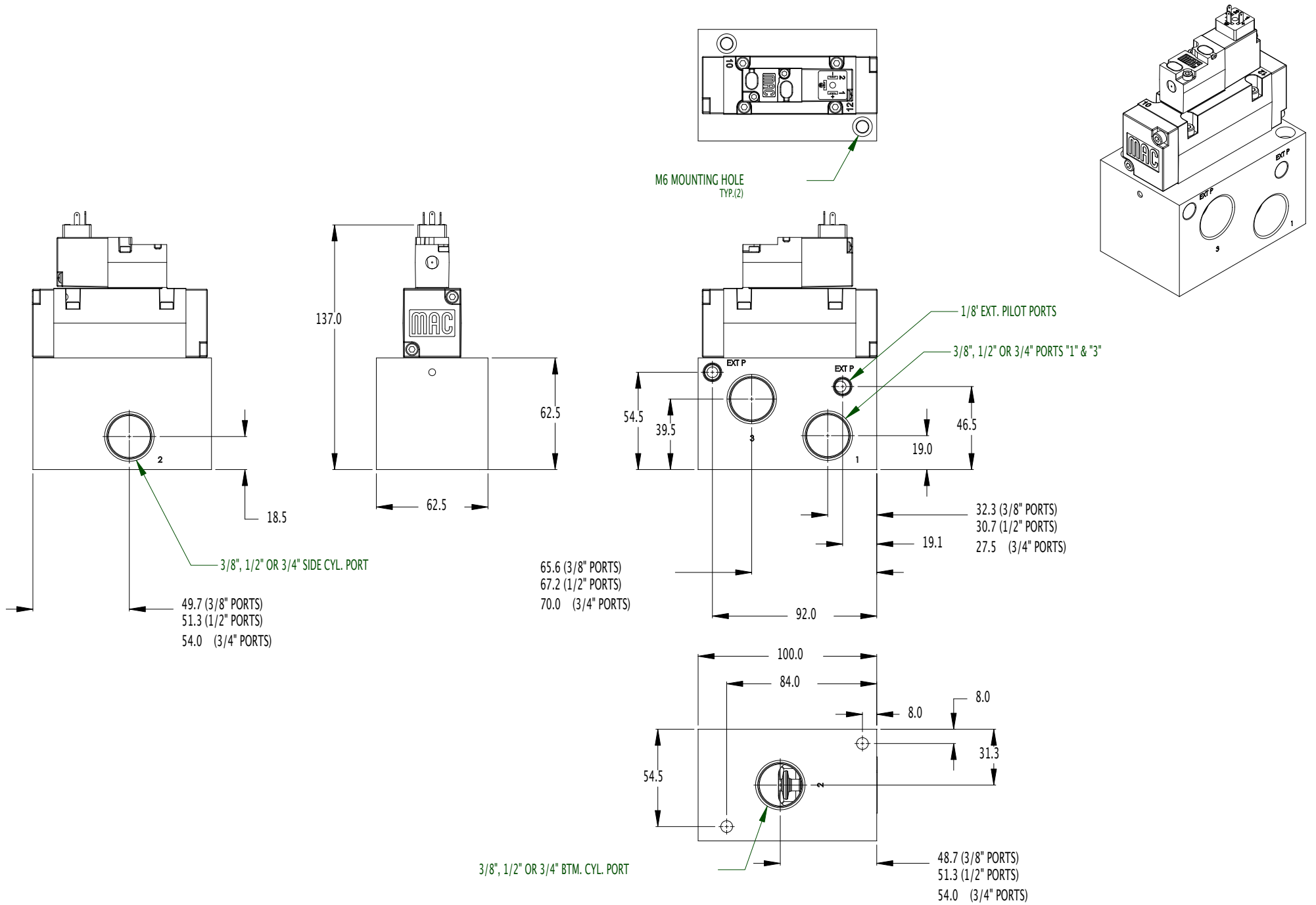


* M.O.V., Diode & Light are in female connector in these options

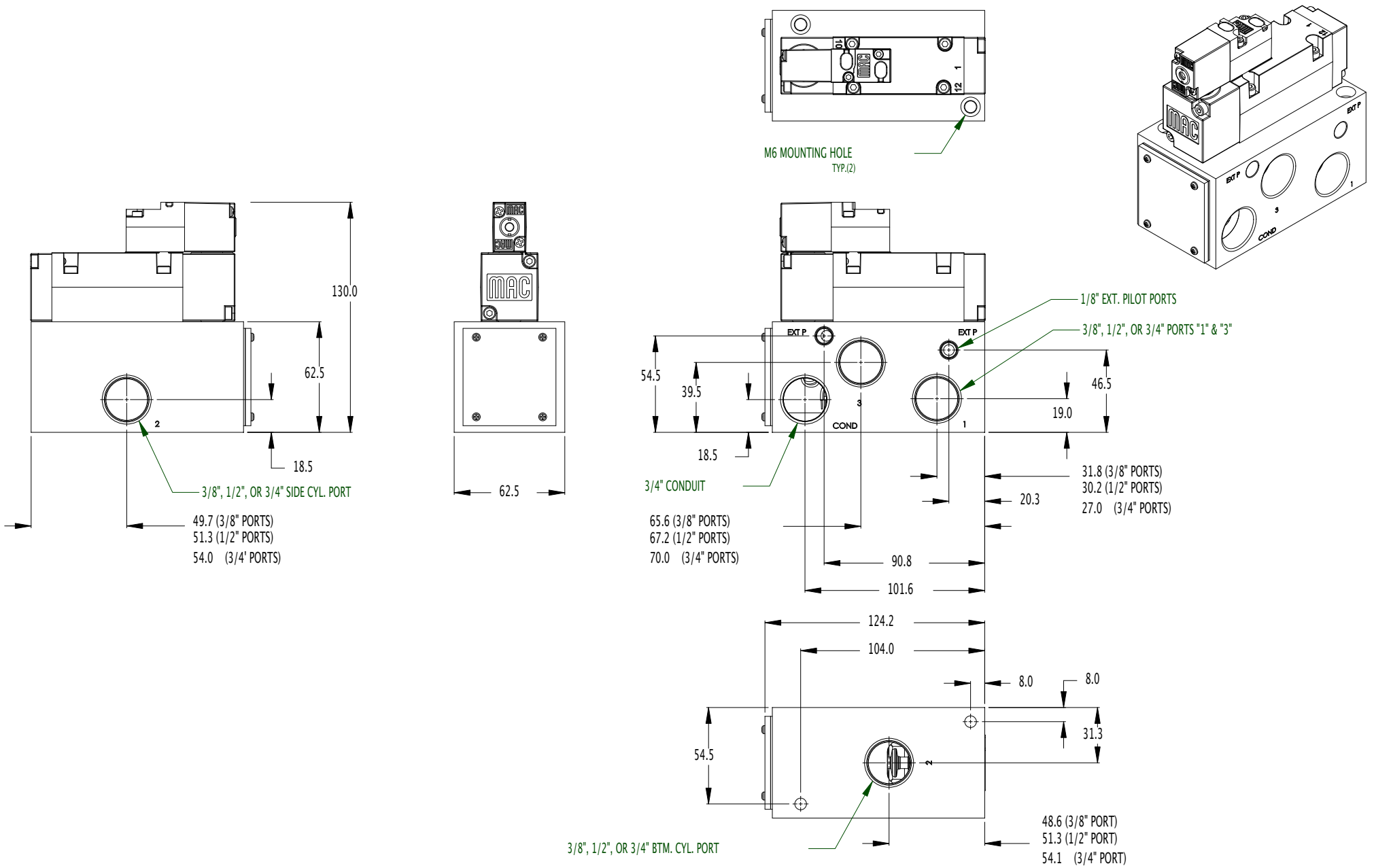
How To Order 54 Series Double Remote Air

54A - X X - X X X - RA

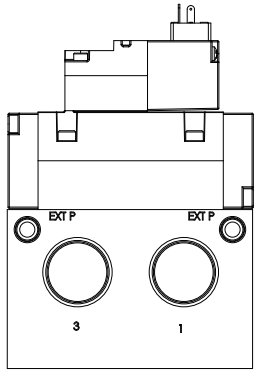
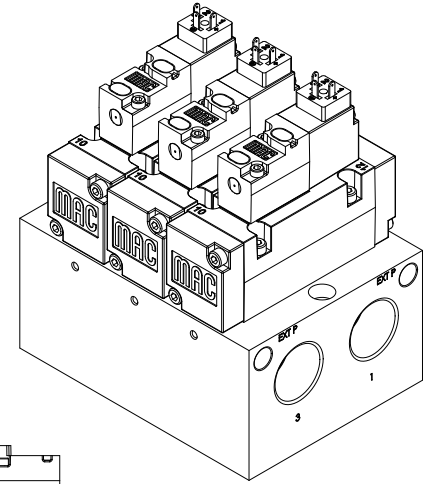
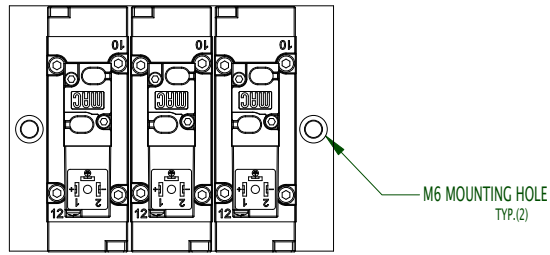




54 SERIES NON PLUG-IN INDIVIDUAL BASE

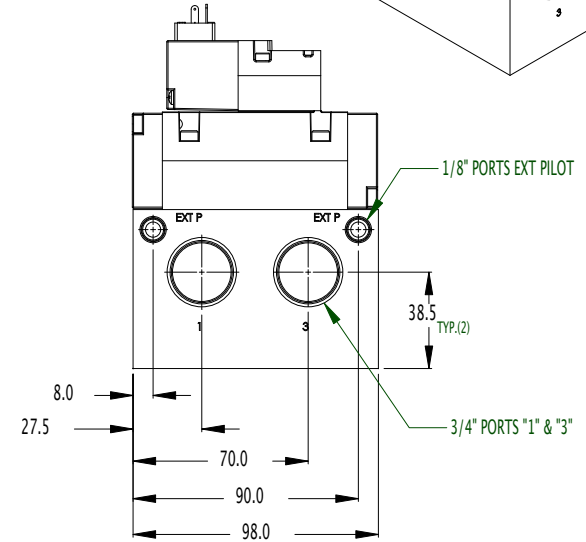
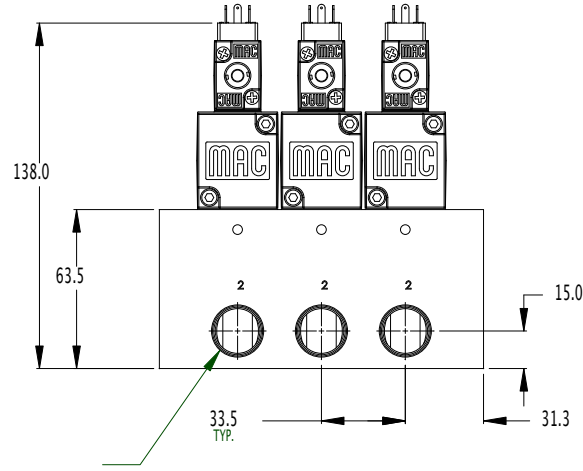


54 SERIES PLUG-IN INDIVIDUAL BASE

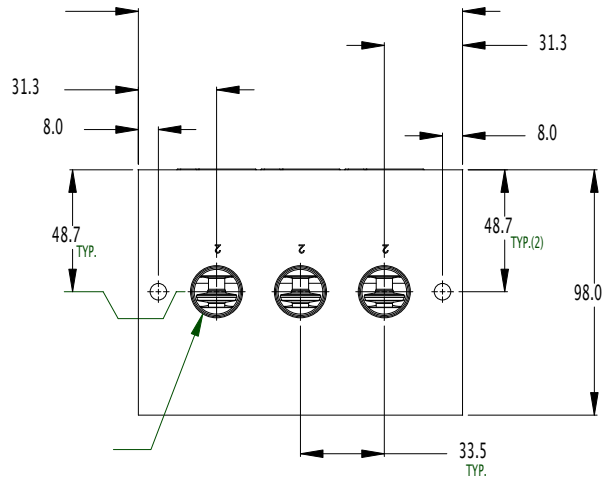


3/8" OR 1/2" SIDE CYLINDER PORTS

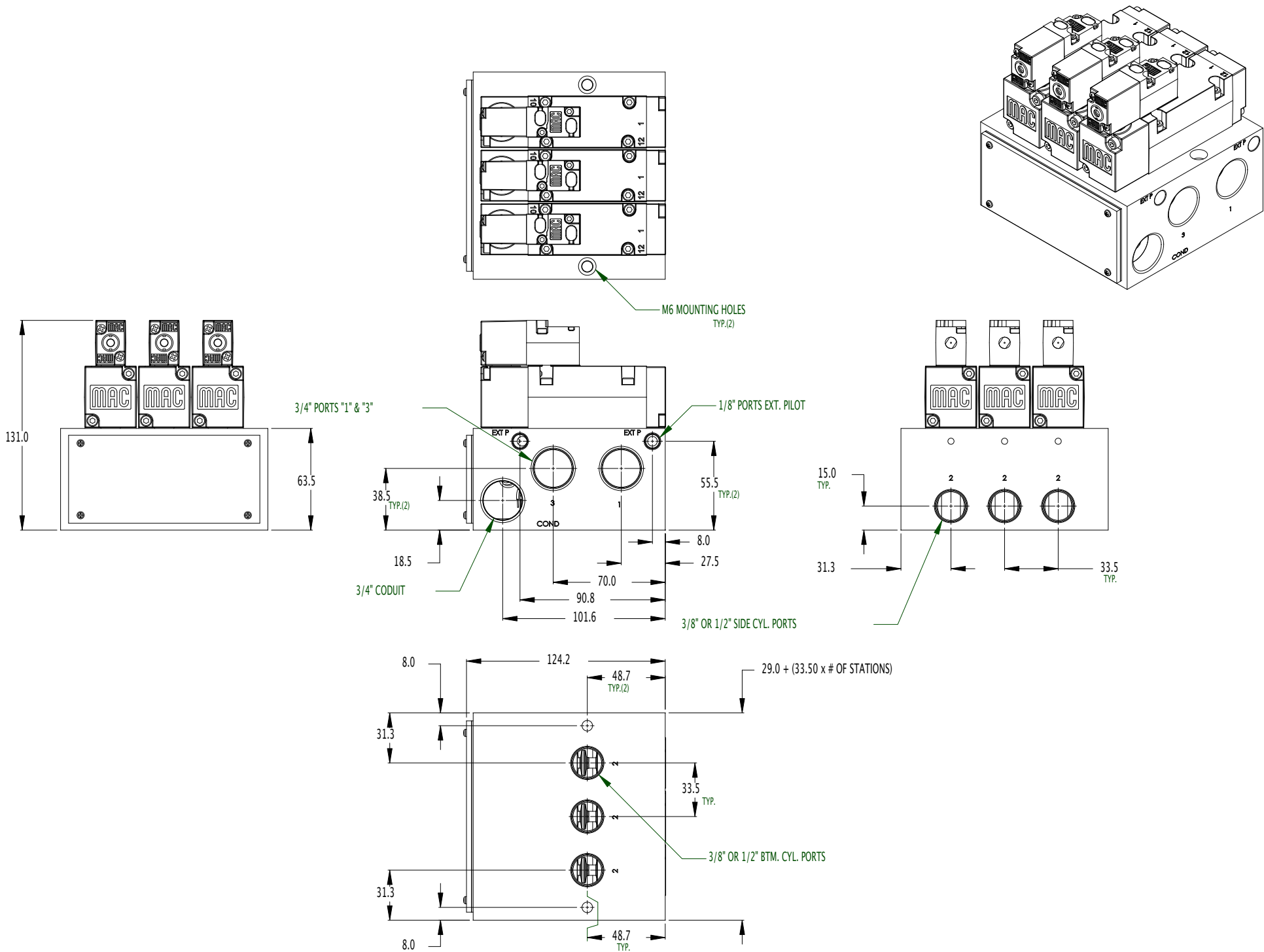
$$29.0 + (33.5 \times \# \text{ OF STATIONS})$$



3/8" OR 1/2" BTM. CYLINDER PORTS



54 SERIES NON PLUG-IN BAR MANIFOLD (EBM TYPE)



54 SERIES PLUG-IN BAR MANIFOLD (ECD TYPE)