



R e m o t e a i r v a l v e s

Individual mounting

sub-base	
----------	--

Series

Manifold mounting

sub-base	
----------	--

1100

55

56

57

58

59

700

900

82

6300

6500

6600

2700

1800

ISO 1

ISO 2

ISO 3

Function	Port size	Flow (Max)	Individual mounting	Series
4/2 - 4/3	3/8" - 1/2" - 3/4"	5.1 C_v	sub-base	

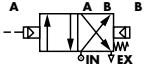
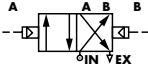
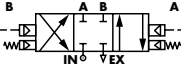
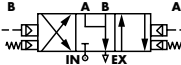

OPERATIONAL BENEFITS

1. Balanced spool, immune to variations of pressure.
2. Short stroke with high flow.
3. The piston (booster) provides maximum shifting forces.
4. Powerful return thanks to the combination of mechanical and air springs.
5. Bonded spool with minimum friction, shifting in a glass-like finished bore.
6. Wiping effect eliminates sticking.
7. Low leakage rate.



1100
55
56
57
58
59
700
900
82
6300
6500
6600
2700
1800
ISO 1
ISO 2
ISO 3

HOW TO ORDER

Port size	4/2 Single operator	4/2 Double operator	4/3 Closed center	4/3 Open center	4/3 Pressure center
					
Valve less base	6512B-000-RA	6522B-000-RA	6532B-000-RA	6542B-000-RA	6552B-000-RA
Sub-base 3/8" NPTF	6512B-131-RA	6522B-141-RA	6532B-141-RA	6542B-141-RA	6552B-141-RA
Sub-base 1/2" NPTF	6512B-231-RA	6522B-241-RA	6532B-241-RA	6542B-241-RA	6552B-241-RA
Sub-base 3/4" NPTF	6512B-331-RA	6522B-341-RA	6532B-341-RA	6542B-341-RA	6552B-341-RA

OPTIONS

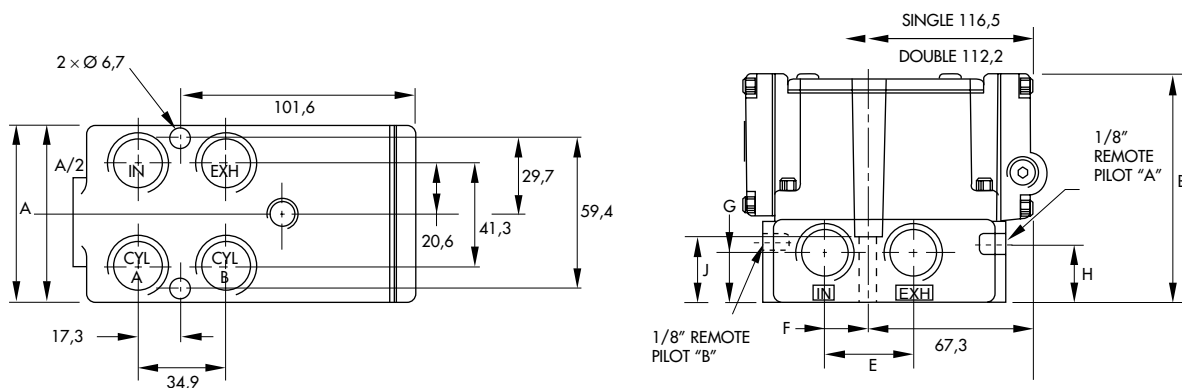
6512B-131-RA
Dual pressure valves : replace by 4. (excluding 3/4" base)

TECHNICAL DATA	
Fluid :	Compressed air, vacuum, inert gases
Pressure range :	Vacuum to 150 PSI
Air signal pressure :	Single operator and 3 positions : 25 to 150 PSI \geq main valve pressure Double operator : 10 to 150 PSI
Lubrication :	Not required, if used select a medium aniline point lubricant (between 180°F to 210°F)
Filtration :	40 μ
Temperature range :	0°F to 120°F (-18°C to 50°C)
Flow (at 6 bar, $\Delta P=1$ bar) :	3/8" : (4.5 C _v), 1/2" : (5.0 C _v), 3/4" : (5.1 C _v)

Spare parts : • Remote air operator : R-00008. • Seal between valve and base : 16246. • Mounting screw valve to base (x4) : 32201.

Options : • BSPP threads.

DIMENSIONS Dimensions shown are metric (mm)



3/8" & 1/2"	69.6	97.4	36.0	17.9	19.0	23.6	25.4
3/4"	94.5	109.3	40.1	19.2	20.8	35.9	36.6

Function	Port size	Flow (Max)	Manifold mounting	Series
4/2 - 4/3	3/8" - 1/2" - 3/4"	5.1 C_v	sub-base	

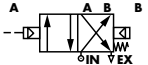
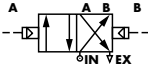
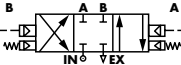
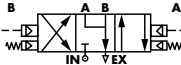
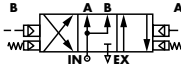
OPERATIONAL BENEFITS

1. Balanced spool, immune to variations of pressure.
2. Short stroke with high flow.
3. The piston (booster) provides maximum shifting forces.
4. Powerful return thanks to the combination of mechanical and air springs.
5. Bonded spool with minimum friction, shifting in a glass-like finished bore.
6. Wiping effect eliminates sticking.
7. Low leakage rate.



1100
55
56
57
58
59

HOW TO ORDER

Port size	4/2 Single operator	4/2 Double operator	4/3 Closed center	4/3 Open center	4/3 Pressure center
					
Valve less base	6512B-000-RA	6522B-000-RA	6532B-000-RA	6542B-000-RA	6552B-000-RA
Sub-base 3/8" NPTF	6512B-431-RA	6522B-441-RA	6532B-441-RA	6542B-441-RA	6552B-441-RA
Sub-base 1/2" NPTF	6512B-531-RA	6522B-541-RA	6532B-541-RA	6542B-541-RA	6552B-541-RA
Sub-base 3/4" NPTF	6512B-631-RA	6522B-641-RA	6532B-641-RA	6542B-641-RA	6552B-641-RA

700
900
82

OPTIONS

6512B-431-RA

For dual pressure valves, replace by 4.

Fastening kit : N-65002-01.

6300
6500
6600
2700
1800
ISO 1
ISO 2
ISO 3

TECHNICAL DATA

Fluid :	Compressed air, vacuum, inert gases
Pressure range :	Vacuum to 150 PSI
Air signal pressure :	Single operator and 3 positions : 25 to 150 PSI \geq main valve pressure Double operator : 10 to 150 PSI
Lubrication :	Not required, if used select a medium aniline point lubricant (between 180°F to 210°F)
Filtration :	40 μ
Temperature range :	0°F to 120°F (-18°C to 50°C)
Flow (at 6 bar, $\Delta P=1$bar) :	3/8" : (4.5 C _v), 1/2" : (5.0 C _v), 3/4" : (5.1 C _v)

- Spare parts :
- Remote air operator : R-00008. • Seal between valve and base : 16246.
 - Mounting screw valve to base (x4) : 32201. • Tie-rod (x2) : 19540.

- Options :
- BSPP threads.

DIMENSIONS

Dimensions shown are metric (mm)

