



Bases according to ISO STANDARDS

Series

Non plug-in individual / manifold base	Non plug-in base / manifold	Plug-in base / manifold	Series
P. 227			ISO 01
P. 229			ISO 02
	P. 231	P. 233	ISO 1
	P. 235	P. 237	ISO 2
	P. 239	P. 241	ISO 3

Non plug-in individual / manifold base



ISO 01

ISO 02

ISO 1

ISO 2

ISO 3

HOW TO ORDER

INDIVIDUAL BASE

Port size	Pilot air	Side ports	Bottom 2 & 4 ports With all side ports
1/4" NPTF	Internal	MB-A01A-121	MB-A01A-122

MANIFOLD BASE

Port size	Pilot air	Side ports	Bottom 2 & 4 ports With side 1, 3 & 5 ports
1/4" NPTF	Internal	MM-A01A-121	MM-A01A-122

Notes:

- For manifold bases external pilot is common
- A base is ordered as internal pilot and can be changed into external pilot by removing pipe plugs from the external pilot ports (individual base).
- Manifold base: same base for internal and external pilot, different end plate kits.

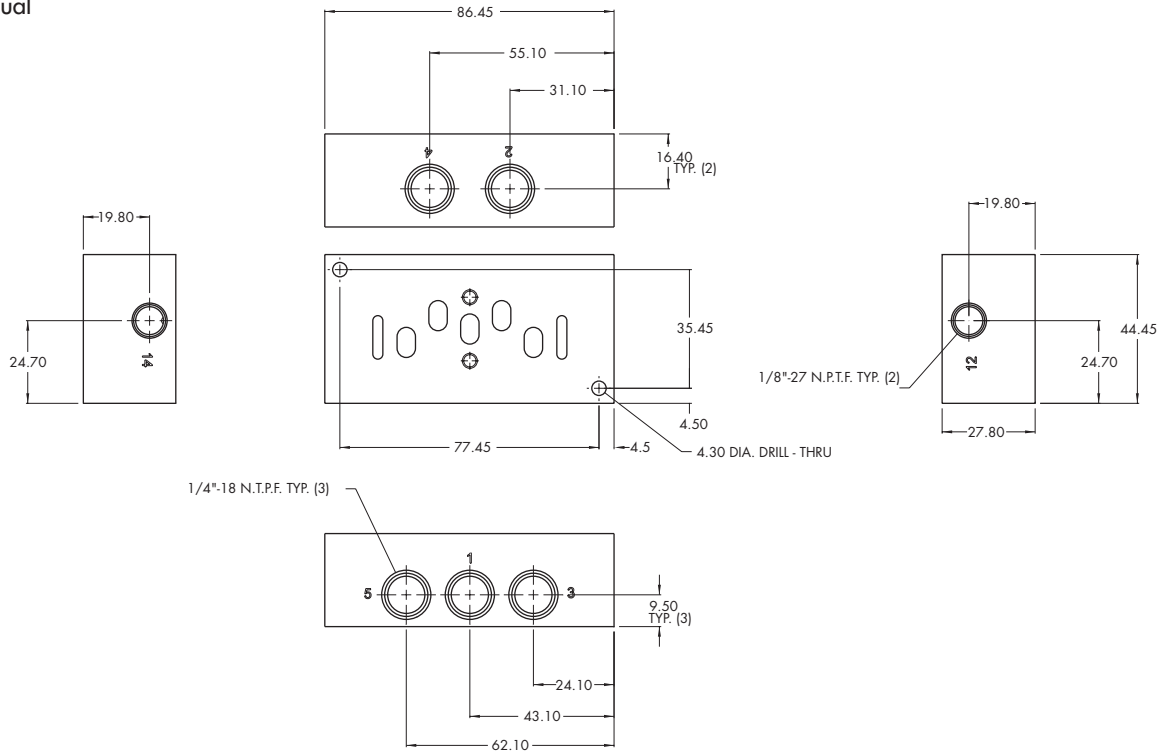
End plate kit: Internal pilot M-00017-01-01
External pilot M-00017-02-01

Inlet/exhaust isolator: 28413

DIMENSIONS

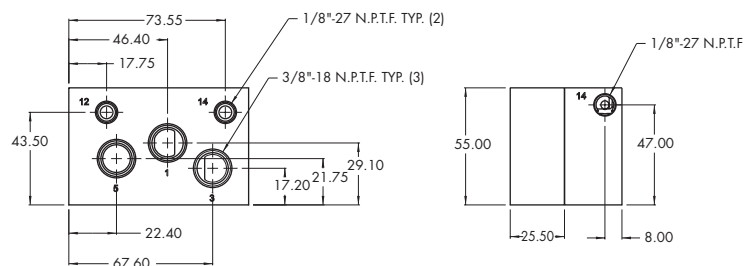
Dimensions shown are metric (mm)

Individual

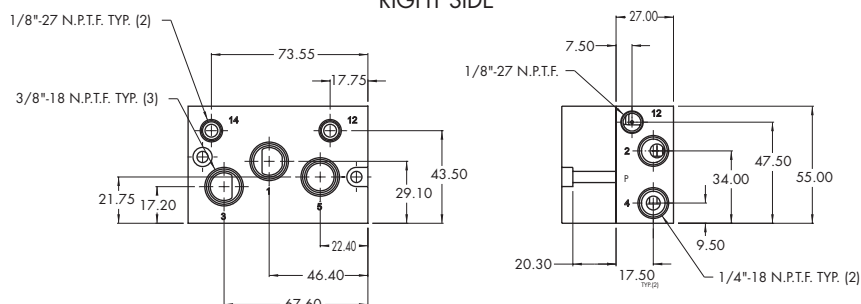


Manifold

LEFT SIDE



RIGHT SIDE



Non plug-in individual / manifold base



ISO 01
ISO 02
 ISO 1
 ISO 2
 ISO 3

HOW TO ORDER

INDIVIDUAL BASE

Port size	Pilot air	Side ports	Bottom 2 & 4 ports With all side ports
1/8" NPTF	Internal	MB-A02A-111	MB-A02A-112

MANIFOLD BASE

Port size	Pilot air	Side ports	Bottom 2 & 4 ports With side 1, 3 & 5 ports
1/8" NPTF	Internal	MM-A02A-111	MM-A02A-112

Notes:

- For manifold bases external pilot is common
- A base is ordered as internal pilot and can be changed into external pilot by removing pipe plugs from the external pilot ports (individual base).
- Manifold base: same base for internal and external pilot, different end plate kits.

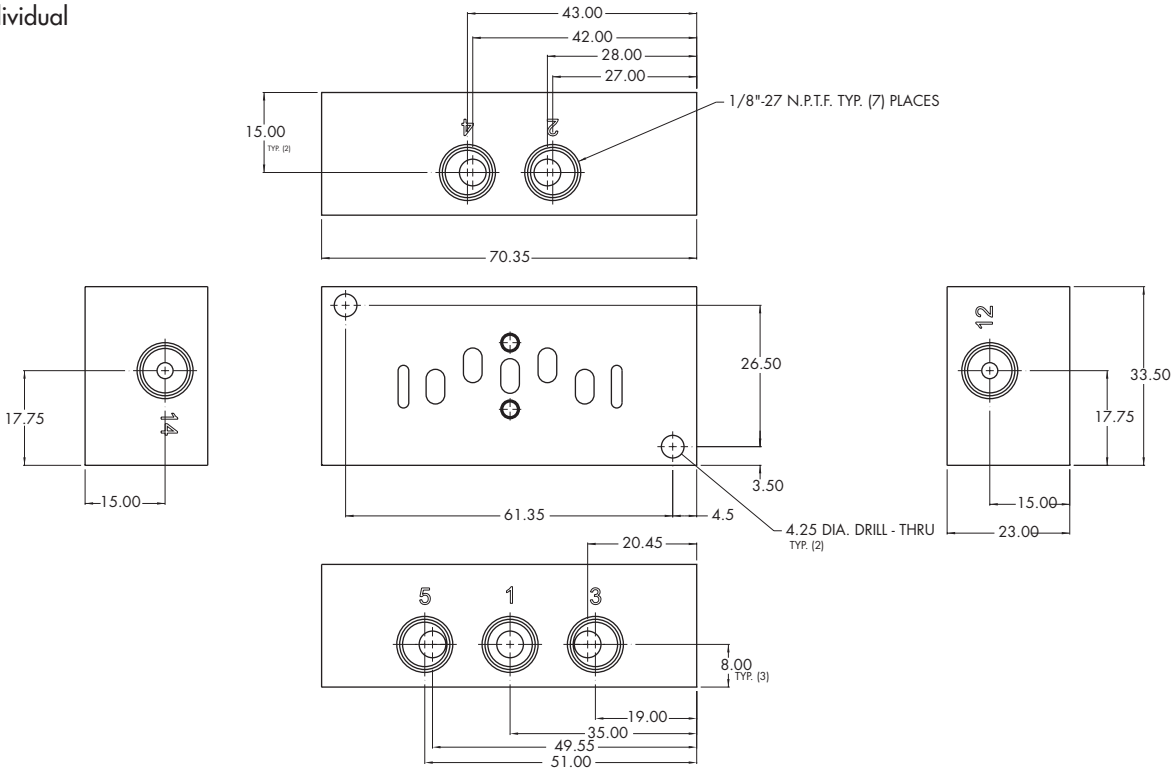
End plate kit: Internal pilot M-00018-01-01
 External pilot M-00018-02-01

Inlet/exhaust isolator: 28499

DIMENSIONS

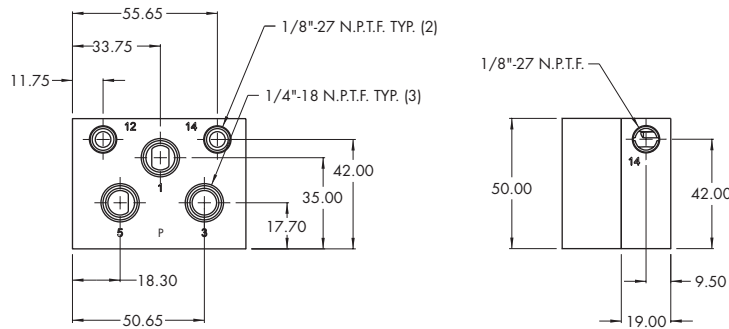
Dimensions shown are metric (mm)

Individual

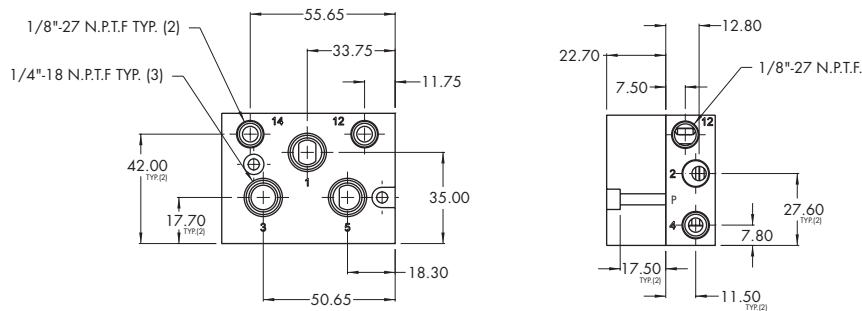


Manifold

LEFT SIDE



RIGHT SIDE



Non plug-in base / manifold

- ISO 01
- ISO 02
- ISO 1**
- ISO 2
- ISO 3



HOW TO ORDER

INDIVIDUAL BASE

Port size	Side ports	Side & bottom ports	Bottom cylinder ports 2 and 4.	Bottom inlet port 1
1/4" NPTF	MB-A1C-221	MB-A1C-223	MB-A1C-222	MB-A1C-224
3/8" NPTF	MB-A1C-231	MB-A1C-233	MB-A1C-232	MB-A1C-234

MANIFOLD BASE

Port size	Side ports	Side & bottom ports	Bottom cylinder ports 2 and 4.	Bottom inlet port 1
1/4" NPTF	MM-A1C-221	MM-A1C-223	MM-A1C-222	MM-A1C-224
3/8" NPTF	MM-A1C-231	MM-A1C-233	MM-A1C-232	MM-A1C-234

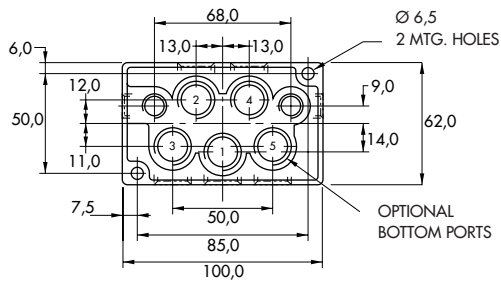
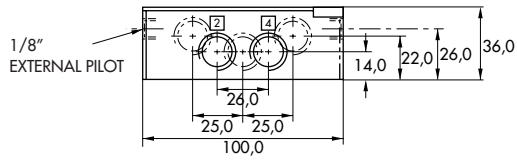
Manifold fastening kit : N-63002-01.
 Valve blanking plate: MA1003.
 Inlet/exhaust isolator plug: 32835.

DIMENSIONS

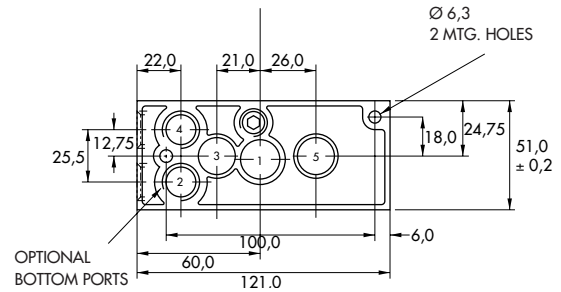
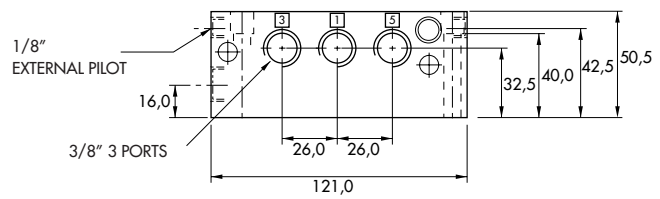
Dimensions shown are metric (mm)

Individual

DIN 5599/1



Manifold



Plug-in base / manifold

- ISO 01
- ISO 02
- ISO 1**
- ISO 2
- ISO 3



HOW TO ORDER

INDIVIDUAL BASE

Port size	Wired for	Side ports	Side ports w/ bottom 2 & 4 ports	All side & bottom ports
1/4" NPTF	Single solenoid	MB-P1A-221-A	MB-P1A-222-A	MB-P1A-223-A
	Double solenoid	MB-P1A-221-B	MB-P1A-222-B	MB-P1A-223-B
3/8" NPTF	Single solenoid	MB-P1A-231-A	MB-P1A-232-A	MB-P1A-233-A
	Double solenoid	MB-P1A-231-B	MB-P1A-232-B	MB-P1A-233-B

MANIFOLD BASE

Port size	Wired for	Side ports	Side ports w/ bottom 2 & 4 ports	All side & bottom ports (see note)
1/4" NPTF	Single solenoid	MM-P1A-221-A	MM-P1A-222-A	MM-P1A-223-A
	Double solenoid	MM-P1A-221-B	MM-P1A-222-B	MM-P1A-223-B
3/8" NPTF	Single solenoid	MM-P1A-231-A	MM-P1A-232-A	MM-P1A-233-A
	Double solenoid	MM-P1A-231-B	MM-P1A-232-B	MM-P1A-233-B

Note : Ports 1, 3 & 5 are always 3/8"

OPTIONS

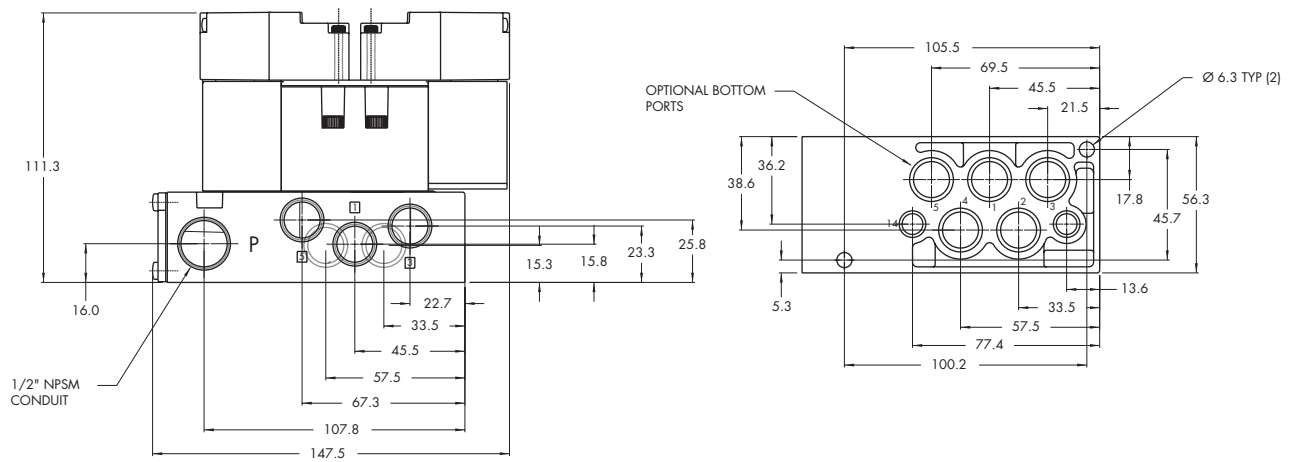
- Manifold options :
- External pilot **MM-P1A-22-x-x**
 - 25** for 1/4" port – common external pilot
 - 26** for 3/8" port – common external pilot
 - Terminal strip **MM-P1A-xxx-A** (N/A with light)
 - J** wired for sgl solenoid
 - K** wired for double solenoid
 - Base / Manifold option: light(s) **MX-P1A-xxx-xJA**
 - JA** 110/120 volt
 - JB** 220/240 volt
 - DA** 24 volt

- Accessories: M-P1001 Valve blanking plate.
N-P1007-01 Manifold fastening kit.
32835 Inlet/exhaust isolator plug.

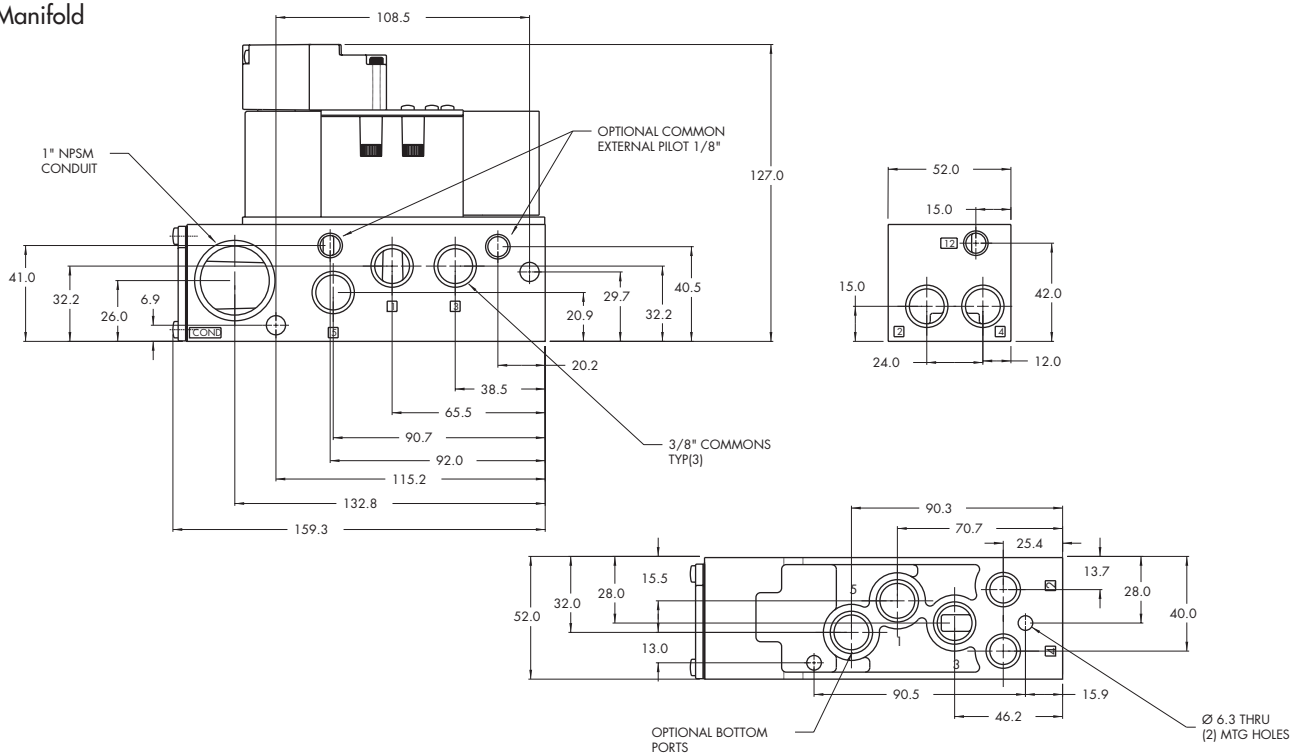
DIMENSIONS

Dimensions shown are metric (mm)

Individual



Manifold



Non plug-in base / manifold

- ISO 01
- ISO 02
- ISO 1
- ISO 2**
- ISO 3



HOW TO ORDER

INDIVIDUAL BASE

Port size	Side ports	Bottom ports	Bottom cylinder ports 2 and 4.	Bottom inlet port 1
3/8" NPTF	MB-A2B-221	MB-A2B-223	MB-A2B-222	MB-A2B-224
1/2" NPTF	MB-A2B-231	MB-A2B-233	MB-A2B-232	MB-A2B-234

MANIFOLD BASE

Port size	Side ports	Bottom ports	Bottom cylinder ports 2 and 4.	Bottom inlet port 1
3/8" NPTF	MM-A2B-221	MM-A2B-223	MM-A2B-222	MM-A2B-224
1/2" NPTF	MM-A2B-231	MM-A2B-233	MM-A2B-232	MM-A2B-234

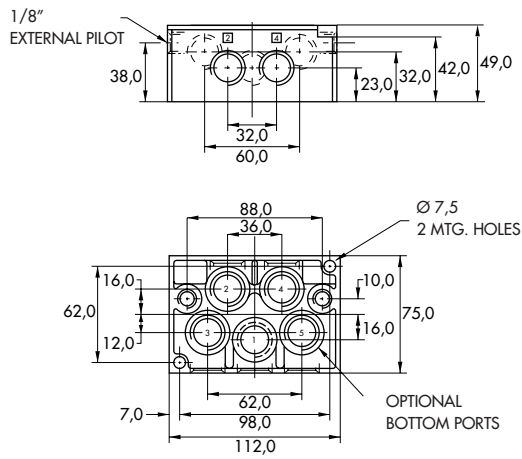
Manifold fastening kit : N-63002-01.
 Valve blanking plate: MA2003.
 Inlet/exhaust isolator plug: 32839.

DIMENSIONS

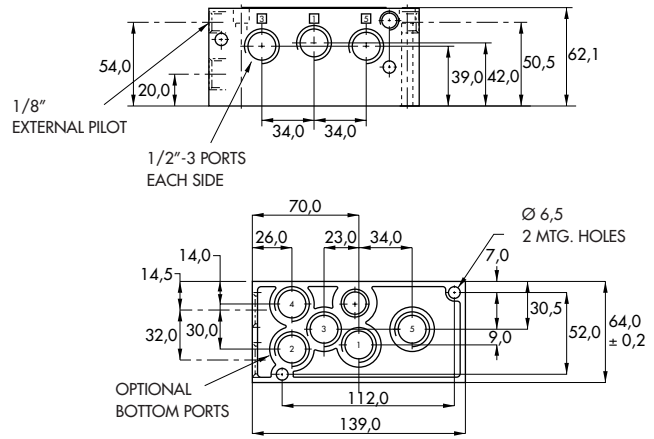
Dimensions shown are metric (mm)

Individual

DIN 5599/1



Manifold



Plug-in base / manifold

- ISO 01
- ISO 02
- ISO 1
- ISO 2**
- ISO 3



HOW TO ORDER

INDIVIDUAL BASE

Port size	Wired for	Side ports	Side ports w/ bottom 2 & 4 ports	All side & bottom ports
3/8" NPTF	Single solenoid	MB-P2A-221-A	MB-P2A-222-A	MB-P2A-223-A
	Double solenoid	MB-P2A-221-B	MB-P2A-222-B	MB-P2A-223-B
1/2" NPTF	Single solenoid	MB-P2A-231-A	MB-P2A-232-A	MB-P2A-233-A
	Double solenoid	MB-P2A-231-B	MB-P2A-232-B	MB-P2A-233-B

MANIFOLD BASE

Port size	Wired for	Side ports	Side ports w/ bottom 2 & 4 ports	All side & bottom ports (see note)
3/8" NPTF	Single solenoid	MM-P2A-221-A	MM-P2A-222-A	MM-P2A-223-A
	Double solenoid	MM-P2A-221-B	MM-P2A-222-B	MM-P2A-223-B
1/2" NPTF	Single solenoid	MM-P2A-231-A	MM-P2A-232-A	MM-P2A-233-A
	Double solenoid	MM-P2A-231-B	MM-P2A-232-B	MM-P2A-233-B

Note : Ports 1, 3 & 5 are always 1/2"

OPTIONS

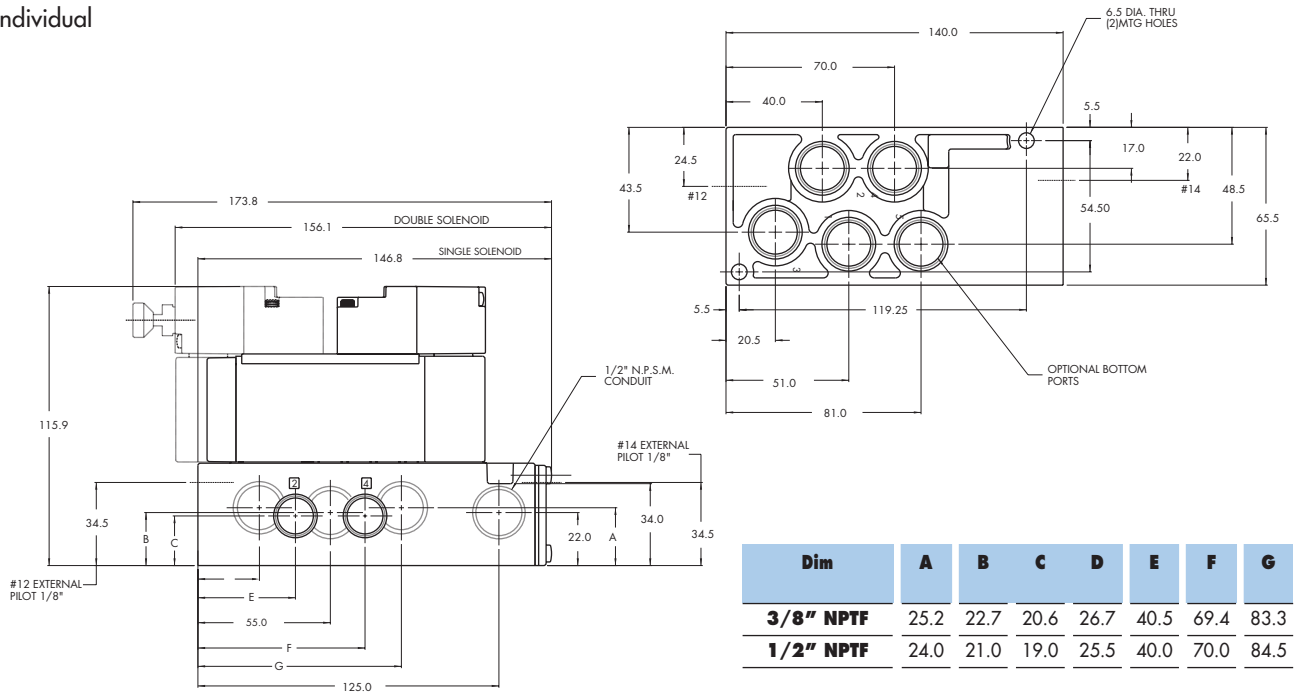
- Manifold options :
- External pilot **MM-P2A-22-x-x**
 - 25** for 3/8" port – common external pilot
 - 26** for 1/2" port – common external pilot
 - Terminal strip **MM-P2A-xxx-A** (N/A with light)
 - J** wired for sgl solenoid
 - K** wired for double solenoid
 - Base / Manifold option: light(s) **MX-P2A-xxx-xJA**
 - JA** 110/120 volt
 - JB** 220/240 volt
 - DA** 24 volt

- Accessories:
- M-P2001 Valve blanking plate.
 - N-P2004-01 Manifold fastening kit.
 - 32839 Inlet/exhaust isolator plug.

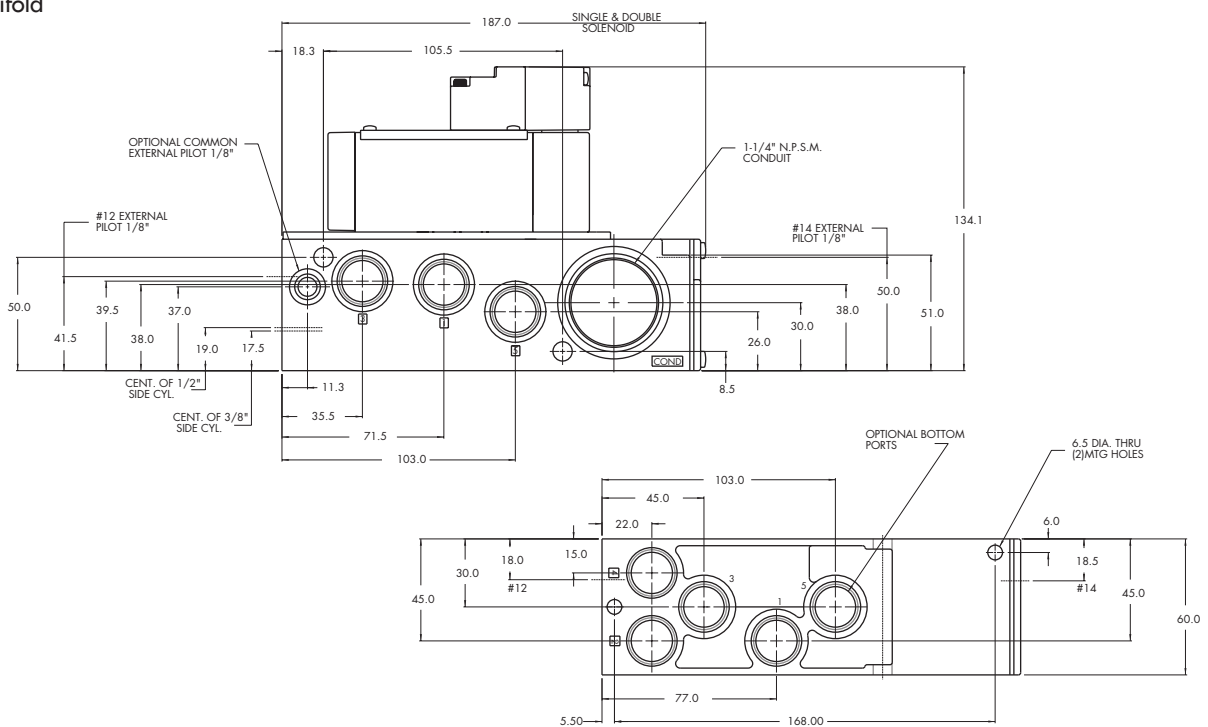
DIMENSIONS

Dimensions shown are metric (mm)

Individual



Manifold



Non plug-in base / manifold

- ISO 01
- ISO 02
- ISO 1
- ISO 2
- ISO 3**



HOW TO ORDER

INDIVIDUAL BASE

Port size	Side ports	Bottom ports	Bottom cylinder ports 2 and 4.	Bottom inlet port 1
1/2" NPTF	MB-A3B-221	MB-A3B-223	MB-A3B-222	MB-A3B-224
3/4" NPTF	MB-A3B-231	MB-A3B-233	MB-A3B-232	MB-A3B-234

MANIFOLD BASE

Port size	Side ports	Bottom ports	Bottom cylinder ports 2 and 4.	Bottom inlet port 1
1/2" NPTF	MM-B3A-221-A	MM-B3A-223-A	MM-B3A-222-A	MM-B3A-224-A
3/4" NPTF	MM-B3A-231-A	MM-B3A-233-A	MM-B3A-232-A	MM-B3A-234-A

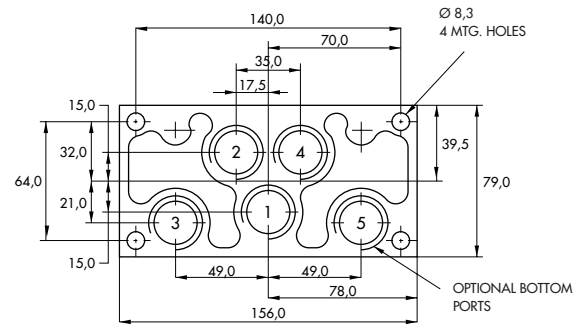
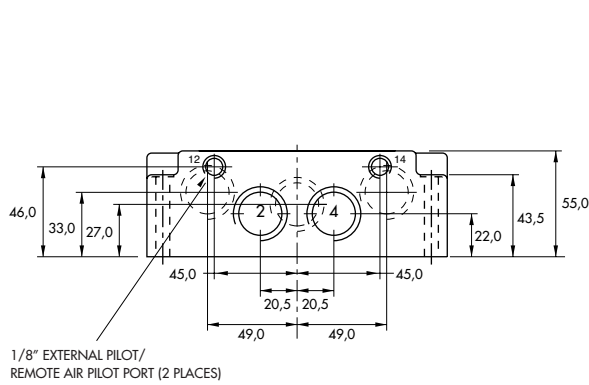
Manifold fastening kit: N-P3003-01.
 Valve blanking plate: M-P3001.
 Inlet/exhaust isolator plug: 32845.

DIMENSIONS

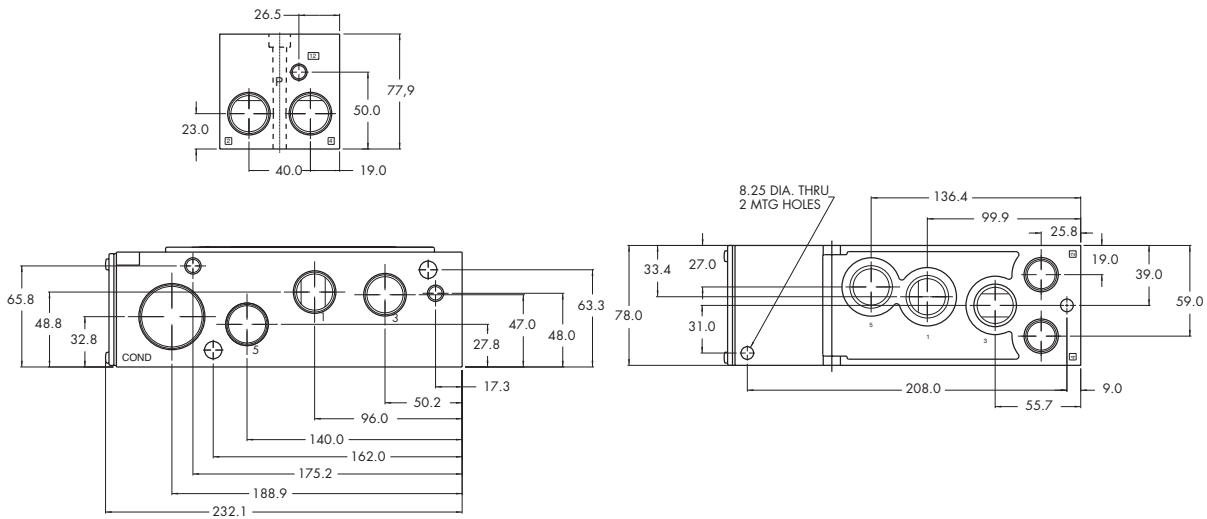
Dimensions shown are metric (mm)

Individual

ISO DIN 5599/1



Manifold



Plug-in manifold



- ISO 01
- ISO 02
- ISO 1
- ISO 2
- ISO 3**

HOW TO ORDER

MANIFOLD BASE

Port size	Wired for	Side ports	Side ports w/ bottom 2 & 4 ports	All side & bottom ports (see note)
1/2" NPTF	Single solenoid	MM-P3A-221-A	MM-P3A-222-A	MM-P3A-223-A
	Double solenoid	MM-P3A-221-B	MM-P3A-222-B	MM-P3A-223-B
3/4" NPTF	Single solenoid	MM-P3A-231-A	MM-P3A-232-A	MM-P3A-233-A
	Double solenoid	MM-P3A-231-B	MM-P3A-232-B	MM-P3A-233-B

Note : Ports 1, 3 & 5 are always 3/4"

OPTIONS

- Manifold options :
- External pilot **MM-P3A-22x-x**
 - 25** for 1/2" port – common external pilot
 - 26** for 3/4" port – common external pilot
 - Terminal strip **MM-P3A-xxx-A**
 - J** wired for sgl solenoid
 - K** wired for double solenoid
 - light(s) **MM-P3A-xxx-xJA**
 - JA** 110/120 volt
 - JB** 220/240 volt
 - DA** 24 volt

- Accessories:
- M-P3001 Valve blanking plate.
 - N-P3003-01 Manifold fastening kit.
 - 32845 Inlet/exhaust isolator plug.

DIMENSIONS

Dimensions shown are metric (mm)

