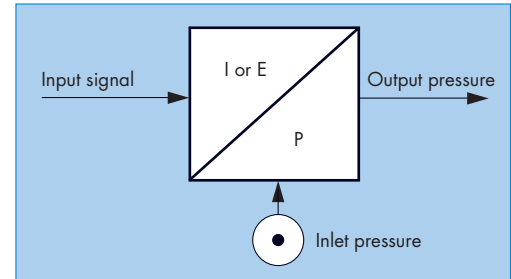


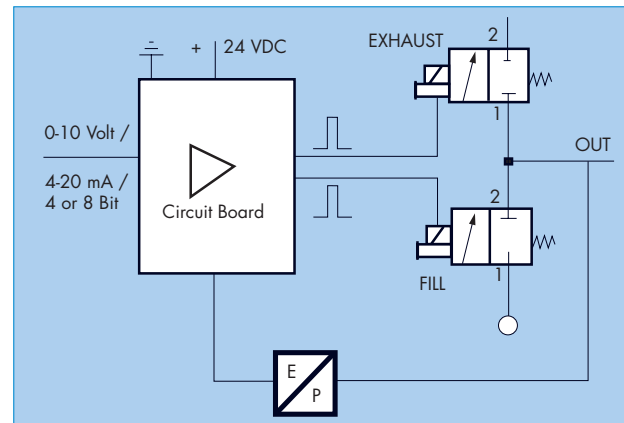
I. Introducing : Proportional Pressure Controller

The MAC Proportional Pressure Controller, (PPC) is an innovative product which converts an electrical signal into a proportional pneumatic output. The PPC is unlike conventional I/P or V/P transducers. It offers much more in terms of performance, features, and reliability.



The key to the MAC PPCs are two MAC 34, 45, 400, 47, 92 or 93 Series valves that are used to control the output pressure. The valves are operated by the PPCs closed loop electronic control circuit. Feedback is obtained from one or two transducers. The balanced poppet, fast response, and high flow of these two MAC Valves provide outstanding performance characteristics for the PPC.

The PPC controls output pressure by constantly measuring its down stream pressure and comparing it to the command signal. If a higher pressure is commanded the PPC quickly responds by actuating the MAC fill valve, increasing the output pressure until it is equal to the pressure represented by the command signal. Conversely, if a lower pressure is required, the PPC will energize the MAC exhaust valve, decreasing output pressure until the correct pressure is achieved. All of this happens very quickly to smoothly maintain the correct pressure.



This approach to pressure control provides a small, light, and cost effective unit. Unlike voice coil units, the PPC is not affected by vibration or mounting position. Unlike large direct solenoid proportional units, the PPC is small and light, drawing little power, and producing little heat. Unlike units that utilize unbalanced air valves, the PPCs balanced valves provide high flow and extremely fast and repeatable response times as well as eliminating "undershoot" and "overshoot" problems normally associated with unbalanced valve designed units. Other proportional products often incorporate valves from third party manufacturers. All MAC PPCs utilize only fast shifting, repeatable, high flow, long life MAC Valves as fill and exhaust valves.

II. Configuration

The PPC is available in many configurations.

The PPC5C can be ordered with a single or dual transducer, with an analog or digital command signal, for pressure or vacuum service. All other PPCs can be ordered with a single transducer with an analog command signal.

Single transducer PPCs can be configured with internal sensing (stand alone) or with external sensing (e.g. for Proportional Multi-Pressure Pak®). Dual transducer PPCs are available for controlling other devices such as boosters.

PPCs with analog or digital command signal are chosen following the command device available for the application.

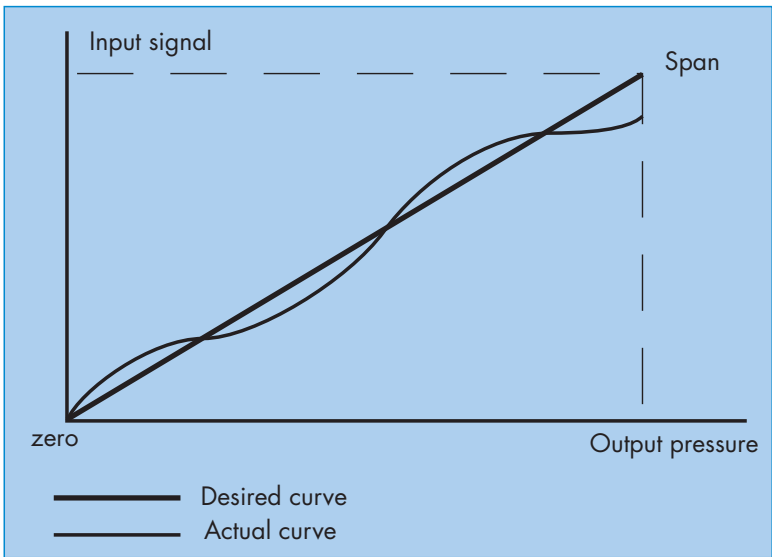
Most PPC Series are available as covered or coverless devices. Coverless PPCs are intended for use in cabinets or areas protected from moisture while covered PPCs can be used in unprotected environments (Washdown).

MAC offers a multitude of special modifications designed to meet customers specific application requirements. Please contact your local MAC distributor for consultation if our standard product options do not fulfill your requirements.

III. Specifications

LINEARITY

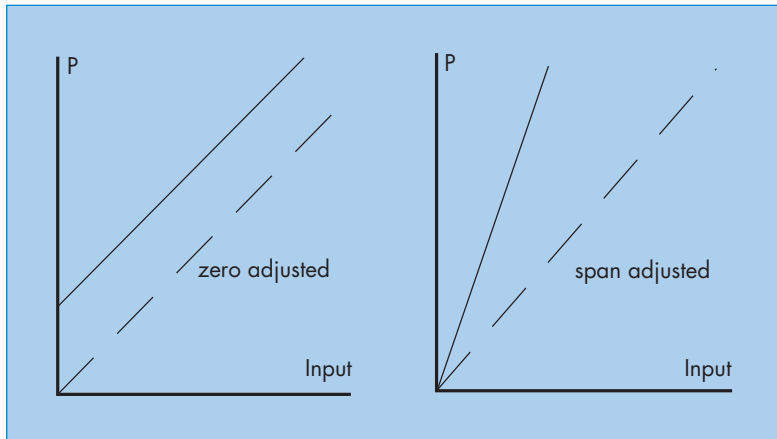
The linearity parameter shows the capability of the unit to follow the input signal according to an ideal straight line curve. MAC PPCs exhibit excellent linearity throughout the pressure range. The deviation is measured in \pm % of full scale.



LIMITS OF ADJUSTMENT

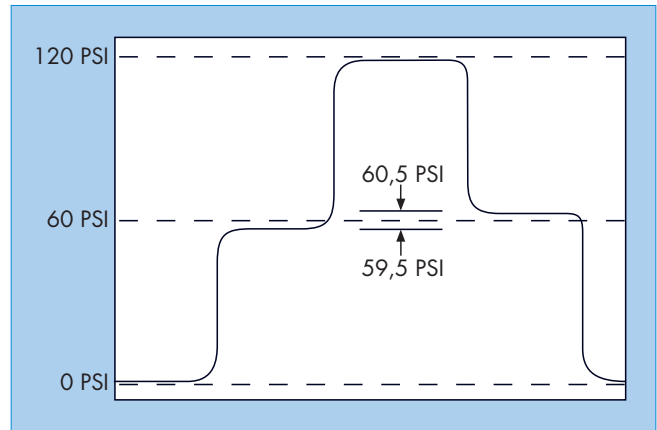
For single transducer models, two parameters can be adjusted. Primarily these should be set by the factory but can be done in the field if absolutely necessary. The first parameter is the ZERO adjust, the second is the SPAN adjust. These parameters provide the possibility of customizing the PPC according to customers needs. However these adjustments are limited due to the tolerances of the transducers. If adjustments are necessary, please consult the factory or your local distributor

Note: Dual transducer models are not field adjustable.



HYSTERESIS

The hysteresis error, sometimes called “deadband”, is the amount of output pressure variance required to cause the PPC to react, making a correction to the output pressure. It is given in percent of full scale pressure, all MAC PPC products perform with minimal hysteresis.



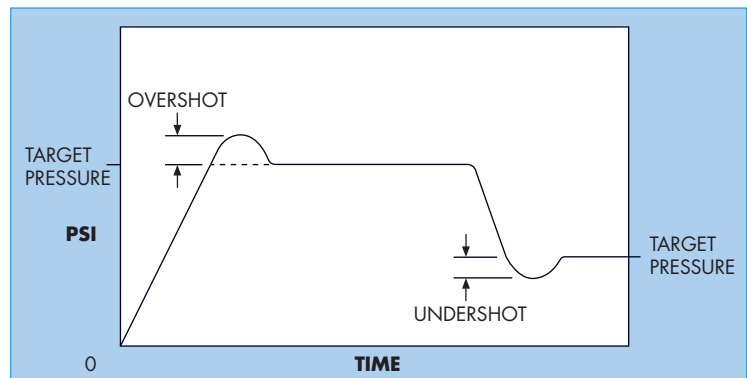
ACCURACY

MAC Valves states accuracy of the MAC PPCs as overall accuracy. Accuracy is expressed in percent of full scale, which includes hysteresis and linearity. Some suppliers give separate parameters in order to give a better impression. In this case hysteresis and linearity are added. MAC PPCs are extremely accurate and maintain excellent control of output pressure well within our stated accuracy.

OVERSHOOT – UNDERSHOOT

Two undesirable characteristics of other proportional control units available on the market are overshoot and undershoot.

Overshoot is a characteristic of the regulator to exceed the desired output pressure when the command signal is given. Undershoot is a characteristic of the regulator to fail to reach the desired output pressure.



The PPC is based on a closed loop design which combined with MACs fast responding, very repeatable, high flow, balanced 2-way valves, optimizes response and accuracy, practically eliminating overshoot and undershoot.

CLOSED END VOLUME

The closed end volume is the amount of volume needed to keep the PPC stable. If the closed volume to be filled is not appropriate for a particular PPC model (too small in comparison with the flow of air coming from the PPC), it will be very difficult to control the desired pressure inside this volume. So the PPC will be required to compensate for any small variation of pressure and the device will be unstable. This instability is sometimes referred to as “motorboating” or the continuous energizing and de-energizing of the fill and exhaust valves. Minimum volume requirements to prevent “motorboating” are listed for each PPC in this catalog for your reference.

IV. Command Signal Options

The PPC can be controlled with either an analog command signal or a digital command signal.

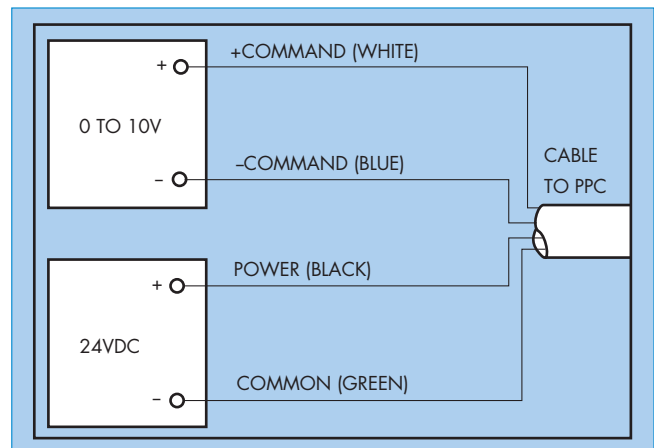
ANALOG COMMAND SIGNAL

The analog command signal can be either 0 – 10 VDC (voltage) or 4 – 20 mA (current).

Two wires are necessary to accept the command signal. The PPC measures the voltage differences between the two wires to determine the desired pressure output. Along with the command signals, a 24 VDC source must be available to operate the PPC. The return path for the 24VDC source and the return path for the command signal must not be isolated from each other. An example of how to wire the PPC with a differential command signal is shown below.

The major advantages of the command signal for the PPC are :

- Elimination of ground loop noise.
- Operation of multiple PPC's from a single power supply.
- Easy to connect to single-ended equipment.



DIGITAL COMMAND SIGNAL

The PPC, through the use of a converter board, accepts a digital command signal for 4-bit or 8-bit binary logic and converts this to an analog signal to produce a proportional pressure.

Using a 4-bit digital input, the maximum number of different pressures available at the output is 16. If an 8-bit digital input is specified, a much finer resolution (256 pressures at the output) can be obtained. For example, in a 100 PSI output system, using 4-bit logic, each bit is equal to 6.67 PSI. With an 8-bit digital, each bit is equal to .392 PSI

There are four different models available for the 4-bit and 8-bit digital PPC based on the type of input signal :

- | | |
|---|---|
| <ol style="list-style-type: none"> 1. Positive Logic/Sourcing Input 3. Positive Logic/Sinking Input | <ol style="list-style-type: none"> 2. Negative Logic/Sourcing Input 4. Negative Logic/Sinking Input |
|---|---|

Positive Logic is defined as a minimum command level (all bits are logic low) controlling a minimum pressure output. For example, in a 4-bit system, a 0000 digital signal would correspond to zero psi and a 1111 digital signal would correspond to the maximum pressure.

Negative Logic is defined as a maximum command level (all bits are logic high) controlling a minimum pressure output. For example, in a 4-bit system, a 1111 digital signal would correspond to zero psi and a 0000 digital signal would correspond to the maximum pressure.

Sinking Input requires the digital voltage to be supplied by the controller connected to the input of the PPC. A command signal must be supplied by the external controller to the digital input connections. The PLC "drives" the PPC, by which a digital input (as opposed to analog) will control the output pressure.

Sourcing Input requires the PPC to produce the digital voltage. The controller connected to the input of the PPC is required to "pull the logic level down to zero" or to "maintain the logic level at one". "Zero" is considered that level of the signal which corresponds to the minimum value of the digital input supply (logic low). "One" is considered that level of the signal which corresponds to the maximum positive value of the digital input supply (logic high). In this case, the PPC "drives" the PLC. Again, a digital input will control the output pressure.

V. Monitor Signal Options

The PPC is available with two optional monitor signals. The Analog Monitor Signal (AMS), and the Logic Monitor Signal (LMS). The PPC may be ordered with either one or both of these signals. Monitor Signals provide intelligent feedback to the controlling device.

ANALOG MONITOR SIGNAL -AMS-

The Analog Monitor Signal is a 0 to 10 VDC feedback signal that provides a voltage proportional to the pressure output of the PPC or the output of the device it is controlling. In the case of MACs Proportional Multi-Pressure Pak®, the AMS signal provides a voltage output proportional to the output pressure of the PMPP.

The AMS may be used by the controlling device to verify that the correct pressure has been achieved. Also, the AMS may be connected to a voltage meter to display the pressure output. In some applications, the AMS is fed into the analog input of a controller to provide data for Statistical Process Control. In either case, a high impedance input is required for proper operation.

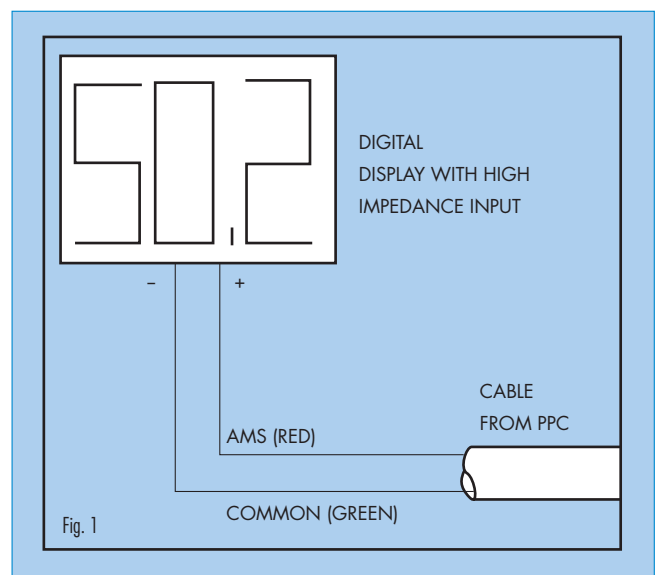


Figure 1, shows how to wire the AMS to a panel meter to display pressure output.

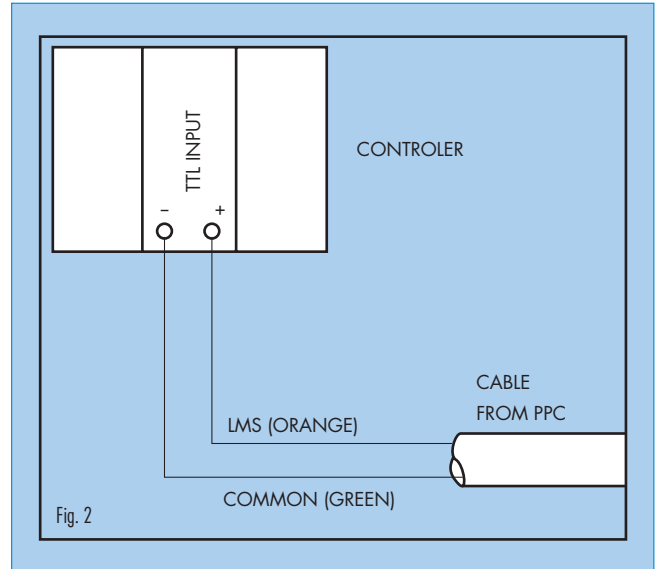
LOGIC MONITOR SIGNAL -LMS-

The Logic Monitor Signal provides digital feedback to confirm that the PPC has achieved the correct pressure. The LMS provides standard logic levels such as TTL (5V) or 24 VDC.

With the TTL option, when correct pressure is achieved, the LMS outputs a logic 1, (5 VDC). When the PPC is working, (Fill or Exhaust valve is in operation) the LMS outputs a logic 0, 0 VDC.

Figure 2 shows how to wire the LMS to a controller's TTL input.

The LMS provides a simple "go/no go" signal back to the controlling device. The LMS may also be used to turn on an L.E.D. for remote indication.



There also is a negative logic version (LMS) available. When the correct pressure is achieved, this option outputs a logic 0. When the PPC is working (fill or exhaust valve is in operation) the output is a logic 1. In either case, the LMS circuit is a sinking type of output. Thus, the PPC supplies the ground to the reading device.

COVERLESS PPC WIRING PIN OUT

AMS - Analog Monitor Signal

- 0-10 VDC feedback signal that provides a voltage proportional to the output pressure

LMS 1 - Logic Monitor Signal

- 5 VDC (TTL high), 24 VDC (high), 5 VDC (low), or 24 VDC (low) "go/no go" feedback signal (depending on requirements)

LMS 2 - Logic Monitor Signal

- 5VDC (TTL low), 24 VDC (high), or 24 VDC (low) "go/no go" feedback signal (depending on requirements)

CV+ - Positive Command Signal

- Positive lead for the 0 – 10 VDC or 4-20 MA command signal (depends on requirements)

CV- - Negative Command Signal

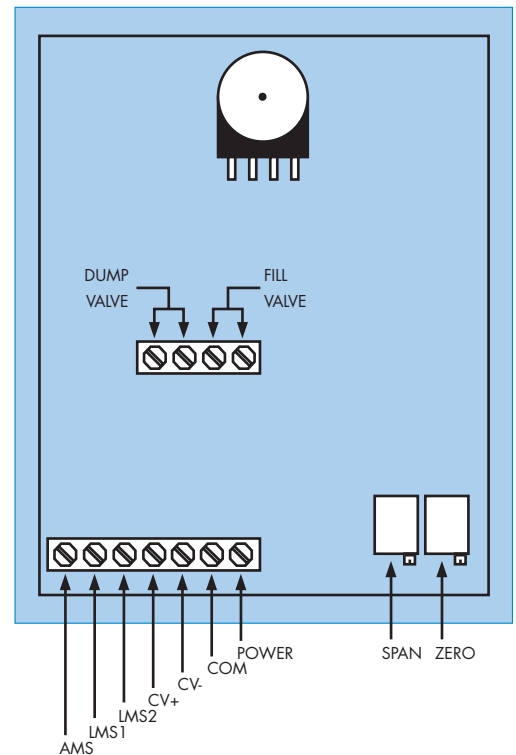
- Negative lead for the 0 – 10 VDC or 4-20 MA command signal (depends on requirements)

COM - Main Power Common

- Common lead for the 24 VDC power

PWR - Main Power

- Positive lead for the 24 VDC power



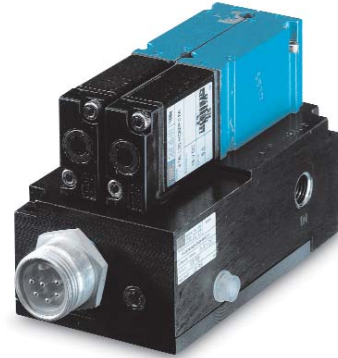


Proportional pressure controller

Port size	Flow [Max] [Cv/Nl/min]	Individual mounting	Series
1/4"	0.72/720	covered analog	

OPERATIONAL BENEFITS

1. Reliable operation, using two MAC 47 Series with balanced poppet.
2. Fast response.
3. Long life.
4. High flow.
5. Low power consumption.
6. Not affected by vibrations.
7. Accurate pressure control.
8. Analog command signal and output.



PPC5C
PPC34B
LCP35A
PPC45B

HOW TO ORDER

BASIC MODEL **PPC047A** **XXX - XXXX - (XXX - XX)** — SIGNAL & CONNECTOR OPTIONS (SEE BELOW)

Type	Type of mounting	Pressure range PSI/BAR	Pressure reference	Accuracy
A Analog	AA Base side port 1/4" NPTF AB Base side port 1/4" BSPPL AC Base side port 1/4" BSPTR AD Base side port 8mm tube receptacle 1/4" NPTF Exh. AE Base side port 8mm tube receptacle 1/4" BSPPL Exh. AF Base side port 8mm tube receptacle 1/4" BSPTR Exh.	0A 100/6.7 0B 60/4 0C 30/2 0N 10/0.66 0T 45/3	D Differential pressure G Gage pressure Caution: differential pressure must not exceed pressure range.	A ± 1.5 % F.S. E ± 2.5 % F.S.

PPC47A
PPC400A
PPC92B
PPC93A

SIGNAL & CONNECTOR OPTIONS

Command signal	AMS/LMS signal	Cover options	Electrical connector	Cable length
B 0-10V Differential D 4-20mA Differential	0 No AMS or LMS A TTL LMS 1, 2 B 24v LMS 2 High on TTL LMS 1 Press. Achieved C 24v LMS Low on TTL LMS Press. Achieved D TTL LMS 1,2 w/AMS E 24v LMS 2 High on w/AMS TTL LMS 1 Press. Achieved F 24v LMS Low on w/AMS TTL LMS 1 Press. Achieved G AMS	B Sealed Electrical & electronic components standard valves	A 3 Pin Mini B 5 Pin Mini C 6 Pin Mini D 7 Pin Mini E 3 Pin Micro F 5 Pin Micro G 6 Pin Micro J 7 Wire Grommet (cable length required)	0 No Cable B 3 Ft/0.9m D 6 Ft/1.8m E 12 Ft/3.6m

NOTE

- (Options below are AMS/LMS signals)
- 3 Pin connector for option 0
- 5 Pin connector for option G
- 6 Pin connector for options A, B, C
- 7 Pin connector for options D, E, F
- 7 Wire grommet for all AMS/LMS signals

EXAMPLE : PPC047A **AAA - OAGE - BAB - CO**

47 Series flow valves, analog, 1/4" side ports (NPTF), 100 psi pressure range, gage reference, 2.5% accuracy, 0-10v differential, TTL LMS 1,2, sealed electrical components, 6 pin mini connector, no cable.

GENERAL DATA

Ambient temperature :	32 to 120°F/0 to 50°C
LED indicators :	Red : power on - Green : pressure achieved
Enclosure :	Aluminium Barstock, sealed
Vibration :	Not affected
Port size :	1/4" (side only)
Connector :	3, 5, 6 or 7 Pin Plug-in or 7 wire grommet
Mounting :	Any plane
Washdown :	Not available at this time

ELECTRICAL DATA

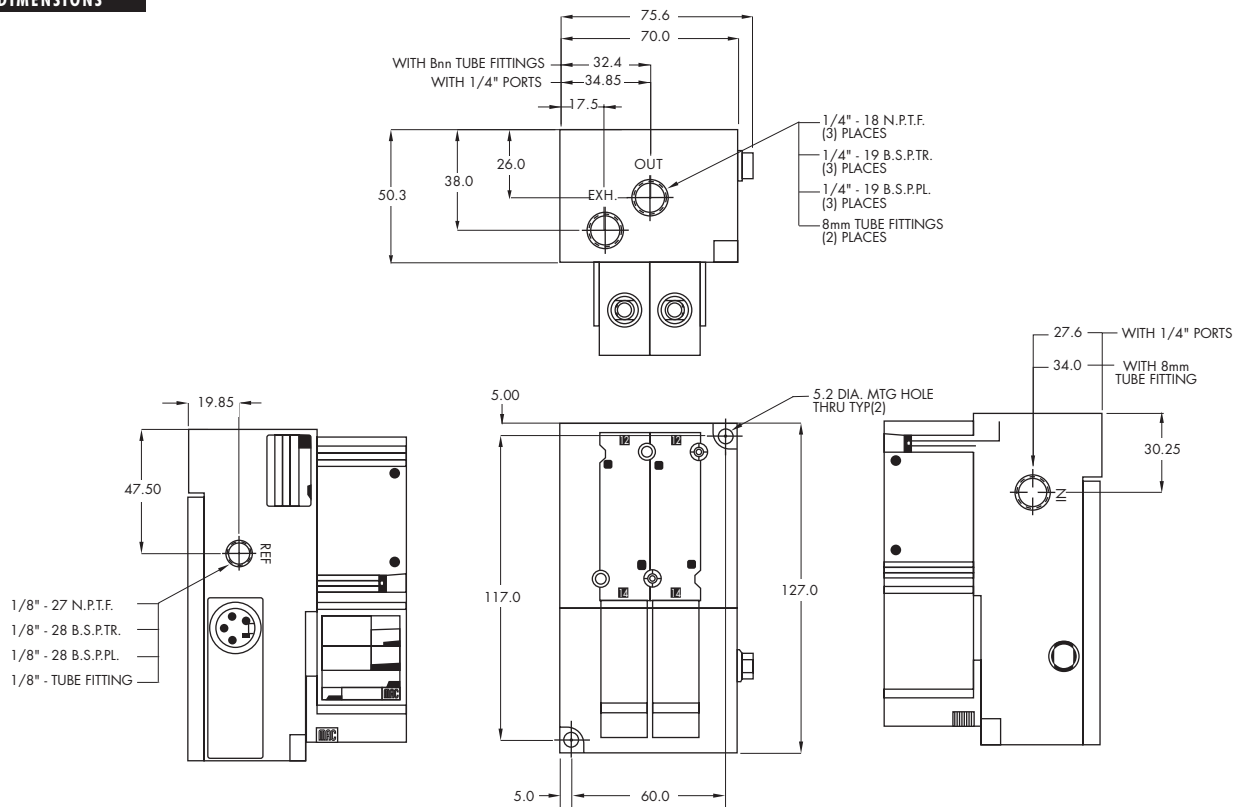
Supply voltage :	20.4 to 26.4 VDC
Supply current :	110 to 440mA
Command signal :	0 to 10V or 4 to 20mA
Command type :	Single-ended or differential
Input impedance :	4.99 kΩ ± 1.0% (voltage) 316 Ω ± 0.1% (current)
Analog Monitor Signal (AMS) :	0 to 10 Volt, single-ended
Logic Monitor Signal (LMS) :	2 types of signals (see How to order) (sinking)
EMI/RFI protection :	Common mode and high frequency noise reduction for electrical inputs

PNEUMATIC DATA

Inlet pressure* :	120 PSI max (for 10-100 PSI output pres.) 8 BAR max (for 0.66-6.6 BAR output pres.)
Fluids :	Compressed air or inert gases
Lubrication :	Not required. However, if used, a medium aniline point oil is recommended
Output pressure :	0 to 10, 30, 45, 60, 100 PSI 0 to 0.66, 2, 3, 4, 6.6 BAR
Overall accuracy :	± 1.5% full scale ± 2.5% full scale
Flow :	Cv 0.72/720 NI/min
Minimum closed end volume :	5.0 cubic inch - 82 cm ³

* 20 PSI maximum inlet for 10 PSI output pressure - 1.3 BAR maximum inlet for 0.66 BAR output pressure







DIMENSIONS



OPTIONS

STANDARD PLUG-IN - ELECTRICAL CONNECTIONS

PPC047A XXX-XXXX-(XXX-XX)- ELECTRICAL OPTIONS

	PART NO.	PIN	DESCRIPTION	MATING CORD
	- (BOB-AX) - (DOB-AX)	3	COMMON POWER +20.4 TO +26.4VDC + COMMAND	GREEN BLACK WHITE
	- (BOB-EX) - (DOB-EX)	3 MICRO	COMMON POWER +20.4 TO +26.4VDC + COMMAND	GREEN RED WITH BLACK TRACER RED WITH WHITE TRACER
	- (BGB-BX) - (DGB-BX)	5	+ COMMAND ANALOG MONITOR SIGNAL COMMON - COMMAND POWER +20.4 TO +26.4VDC	WHITE RED GREEN ORANGE BLACK
	- (BGB-FX) - (DGB-FX)	5 MICRO	+ COMMAND ANALOG MONITOR SIGNAL COMMON - COMMAND POWER +20.4 TO +26.4VDC	RED WITH WHITE TRACER RED GREEN RED WITH YELLOW TRACER RED WITH BLACK TRACER
	- (BAB-CX) - (DAB-CX)	6	LMS1: TTL (high = pressure achieved) - COMMAND POWER +20.4 TO +26.4VDC + COMMAND LMS2: TTL (low = pressure achieved) COMMON	ORANGE BLUE BLACK WHITE RED GREEN
	- (BAB-GX) - (DAB-GX)	6 MICRO	+ COMMAND LMS2: TTL (high = pressure achieved) COMMON LMS1: TTL (high = pressure achieved) POWER +20.4 TO +26.4VDC - COMMAND	RED WITH WHITE TRACER RED GREEN RED WITH YELLOW TRACER RED WITH BLACK TRACER RED WITH BLUE TRACER
	- (BBB-CX) - (DBB-CX)	6	LMS1: TTL (high = pressure achieved) - COMMAND POWER +20.4 TO +26.4VDC + COMMAND LMS2: 24V (high = pressure achieved) COMMON	ORANGE BLUE BLACK WHITE RED GREEN
	- (BBB-GX) - (DBB-GX)	6 MICRO	+ COMMAND LMS2: 24V (high = pressure achieved) COMMON LMS1: TTL (high = pressure achieved) POWER +20.4 TO +26.4VDC - COMMAND	RED WITH WHITE TRACER RED GREEN RED WITH YELLOW TRACER RED WITH BLACK TRACER RED WITH BLUE TRACER
	- (BCB-CX) - (DCB-CX)	6	LMS1: TTL (high = pressure achieved) - COMMAND POWER +20.4 TO +26.4VDC + COMMAND LMS2: 24V (low = pressure achieved) COMMON	ORANGE BLUE BLACK WHITE RED GREEN
	- (BCB-GX) - (DCB-GX)	6 MICRO	+ COMMAND LMS2: 24V (low = pressure achieved) COMMON LMS1: TTL (high = pressure achieved) POWER +20.4 TO +26.4VDC - COMMAND	RED WITH WHITE TRACER RED GREEN RED WITH YELLOW TRACER RED WITH BLACK TRACER RED WITH BLUE TRACER
	- (BDB-DX) - (DDB-DX)	7	LMS2: TTL (low = pressure achieved) POWER +20.4 TO +26.4VDC + COMMAND ANALOG MONITOR SIGNAL LMS1: TTL (high = pressure achieved) - COMMAND COMMON	WHITE WITH BLACK TRACER BLACK WHITE RED ORANGE BLUE GREEN
	- (BEB-DX) - (DEB-DX)	7	LMS2: 24V (high = pressure achieved) POWER +20.4 TO +26.4VDC + COMMAND ANALOG MONITOR SIGNAL LMS1: TTL (high = pressure achieved) - COMMAND COMMON	WHITE WITH BLACK TRACER BLACK WHITE RED ORANGE BLUE GREEN
	- (BFB-DX) - (DFB-DX)	7	LMS2: 24V (low = pressure achieved) POWER +20.4 TO +26.4VDC + COMMAND ANALOG MONITOR SIGNAL LMS1: TTL (high = pressure achieved) - COMMAND COMMON	WHITE WITH BLACK TRACER BLACK WHITE RED ORANGE BLUE GREEN

PPC5C

PPC34B

LCP35A

PPC45B

PPC47A

PPC400A

PPC92B

PPC93A

OPTIONS

STANDARD WIRE GROMMET - ELECTRICAL CONNECTIONS

PPC047A **XXX-XXXX-(XXX-XX)** - ELECTRICAL OPTIONS

PART NO.	WIRES	DESCRIPTION	WIRE COLOR
- (BOB-JX) - (DOB-JX)	4	POWER +20.4 TO +26.4VDC COMMON - COMMAND + COMMAND	BLACK GREEN BLUE WHITE * BROWN (NOT USED) * ORANGE (NOT USED) * RED (NOT USED)
- (BGB-JX) - (DGB-JX)	5	POWER +20.4 TO +26.4VDC COMMON - COMMAND + COMMAND ANALOG MONITOR SIGNAL	BLACK GREEN BLUE WHITE RED * BROWN (NOT USED) * ORANGE (NOT USED)
- (BAB-JX) - (DAB-JX)	6	POWER +20.4 TO +26.4VDC COMMON - COMMAND + COMMAND LMS2: TTL (low = pressure achieved) LMS1: TTL (high = pressure achieved)	BLACK GREEN BLUE WHITE BROWN ORANGE * RED (NOT USED)
- (BBB-JX) - (DBB-JX)	6	POWER +20.4 TO +26.4VDC COMMON - COMMAND + COMMAND LMS2: 24V (high = pressure achieved) LMS1: TTL (high = pressure achieved)	BLACK GREEN BLUE WHITE BROWN ORANGE * RED (NOT USED)
- (BCB-JX) - (DCB-JX)	6	POWER +20.4 TO +26.4VDC COMMON - COMMAND + COMMAND LMS2: 24V (low = pressure achieved) LMS1: TTL (high = pressure achieved)	BLACK GREEN BLUE WHITE BROWN ORANGE * RED (NOT USED)
- (BDB-JX) - (DDB-JX)	7	POWER +20.4 TO +26.4VDC COMMON - COMMAND + COMMAND LMS2: TTL (low = pressure achieved) LMS1: TTL (high = pressure achieved) ANALOG MONITOR SIGNAL	BLACK GREEN BLUE WHITE BROWN ORANGE RED
- (BEB-JX) - (DEB-JX)	7	POWER +20.4 TO +26.4VDC COMMON - COMMAND + COMMAND LMS2: 24V (high = pressure achieved) LMS1: TTL (high = pressure achieved) ANALOG MONITOR SIGNAL	BLACK GREEN BLUE WHITE BROWN ORANGE RED
- (BFB-JX) - (DFB-JX)	7	POWER +20.4 TO +26.4VDC COMMON - COMMAND + COMMAND LMS2: 24V (low = pressure achieved) LMS1: TTL (high = pressure achieved) ANALOG MONITOR SIGNAL	BLACK GREEN BLUE WHITE BROWN ORANGE RED

NOTES

- * 1. All units with electrical connector option "J" (listed above) are factory equipped with a 7-wire grommet and wires not used are trimmed off to ends of cable.
- 2. Variable "X" = cable length

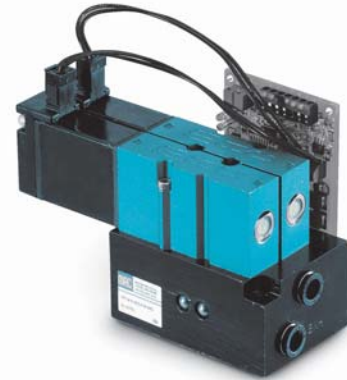


Proportional pressure controller

Port size	Flow [Max] [Cv/Nl/min]	Individual mounting	Series
1/4"	0.74/740	coverless analog base mount	

OPERATIONAL BENEFITS

1. Reliable operation, using two MAC 47 Series with balanced poppet.
2. Fast response.
3. Long life.
4. High flow.
5. Low power consumption.
6. Not affected by vibrations.
7. Accurate pressure control.
8. Analog command signal and output.



PPC5C
PPC34B
LCP35A
PPC45B

HOW TO ORDER

BASIC MODEL

PPC047A **X X X - X X X X - X X X**

Type	Type of mounting	Pressure range PSI/BAR	Pressure reference	Accuracy	Command signal	Logic monitor signal	Cover options
A Analog	AA Base side port 1/4" NPTF AB Base side port 1/4" BSPPL AC Base side port 1/4" BSPTR AD Base side 8mm tube receptacle (1/4" NPTF Exh.) AE Base side 8mm tube receptacle (1/4" BSPPL Exh.) AF Base side 8mm tube receptacle (1/4" BSPTR Exh.) <hr/> BA Base bottom port 1/4" NPTF BB Base bottom port 1/4" BSPPL BC Base bottom port 1/4" BSPTR BD Base bottom 8mm tube receptacle (1/4" NPTF Exh.) BE Base bottom 8mm tube receptacle (1/4" BSPPL Exh.) BF Base bottom 8mm tube receptacle (1/4" BSPTR Exh.)	0A 100/6.7 0B 60/4 0C 30/2 0N 10/0.66 0T 45/3	D Differential pressure G Gage pressure Caution: differential pressure must not exceed pressure range.	A ±1.5% F.S. E ±2.5% F.S.	B 0-10v differential D 4-20mA differential	A TTL LMS 1,2 B 24v LMS High on TTL LMS 1 Press. Achieved C 24v LMS Low on TTL LMS Press. Achieved	0 No Cover

PPC47A
PPC400A
PPC92B
PPC93A

EXAMPLE : PPC047A **AAA - OAGE - BAO**

47 Series flow valves, analog, base 1/4" NPTF side port, 100 psi pressure range, gage reference, 2.5% accuracy, 0-10v differential, TTL LMS 1,2, no cover.

NOTE :

Tube receptacles are normally installed in the "In" and "Out" port with the exhaust threaded. If a tube receptacle is required in the exhaust port, consult factory for MOD number.

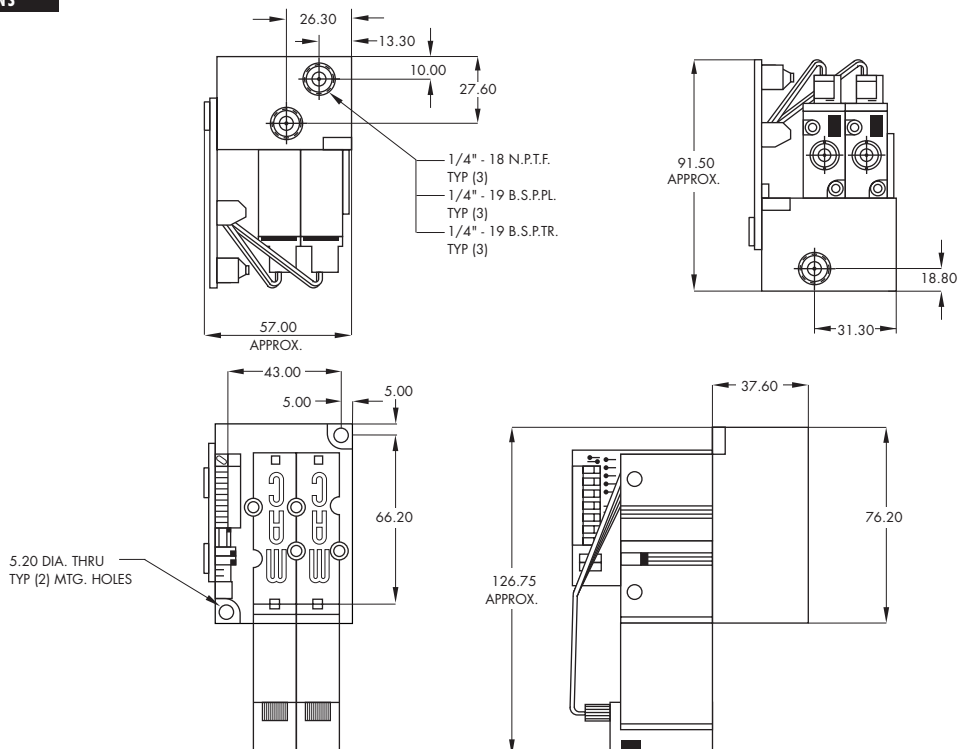
GENERAL DATA	
Ambient temperature :	32 to 120°F/0 to 50°C
LED indicators :	Red : power on - Green : pressure achieved
Vibration :	Not affected
Port size :	8mm tube receptacle, 1/4"
Connector :	7 pin terminal block
Mounting :	Any plane

ELECTRICAL DATA	
Supply voltage :	20.4 to 26.4 VDC
Supply current :	110 to 440mA
Command signal :	0 to 10V or 4 to 20mA
Command type :	Single-ended or differential
Input impedance :	4.99 kΩ ± 1.0% (voltage) 316 Ω ± 0.1% (current)
Analog Monitor Signal (AMS) :	0 to 10 Volt
Logic Monitor Signal (LMS) :	2 types of signals (see How to order) (sinking)
EMI/RFI protection :	Common mode and high frequency noise reduction for electrical inputs

PNEUMATIC DATA	
Inlet pressure* :	120 PSI max (for 10-100 PSI output pres.) 8 BAR max (for 0.66-6.6 BAR output pres.)
Fluids :	Compressed air or inert gases
Lubrication :	Not required. However, if used, a medium aniline point oil is recommended
Output pressure :	0 to 10, 30, 45, 60, 100 PSI 0 to 0.66, 2, 3, 4, 6.6 BAR
Overall accuracy :	± 1.5% full scale ± 2.5% full scale
Flow :	Cv 0.74/740 NI/min
Minimum closed end volume :	5.0 cubic inch - 82 cm ³

* 20 PSI maximum inlet for 10 PSI output pressure - 1.3 BAR maximum inlet for 0.66 BAR output pressure

DIMENSIONS



Note: for additional dimensions, see pages 92, 93.



Proportional pressure controller

Port size	Flow [Max] [Cv/Nl/min]	Circuit bar mounting	Series
1/4"	0.74/740	coverless analog base manifold mount	

OPERATIONAL BENEFITS

1. Reliable operation, using two MAC 47 Series with balanced poppet.
2. Fast response.
3. Long life.
4. High flow.
5. Low power consumption.
6. Not affected by vibrations.
7. Accurate pressure control.
8. Analog command signal and output.



PPC5C
PPC34B
LCP35A
PPC45B

HOW TO ORDER

BASIC MODEL

PPC047A **XXX-XXX-XXX-9** — Assembled to EPP bar

Type	Type of mounting	Pressure range PSI/BAR	Pressure reference	Accuracy	Command signal	Logic monitor signal	Cover options
A Analog	*CA Base manifold Mt	OA 100/6.7 OB 60/4 OC 30/2 ON 10/0.66 OT 45/3	G Gage pressure D Differential pressure Caution: differential pressure must not exceed pressure range.	A ±1.5% F.S. E ±2.5% F.S.	B 0-10v differential D 4-20mA differential	A TTL LMS 1,2 B 24v LMS High on TTL LMS 1 Press. Achieved C 24v LMS Low on TTL LMS Press. Achieved	0 No Cover

* See EPP 47A "How to order"

PPC47A
PPC400A
PPC92B
PPC93A

CIRCUIT BAR FOR MANIFOLD MOUNT

EPP47A **XXXXX-XX-9** — PPC assembled to bar
N°. of stations

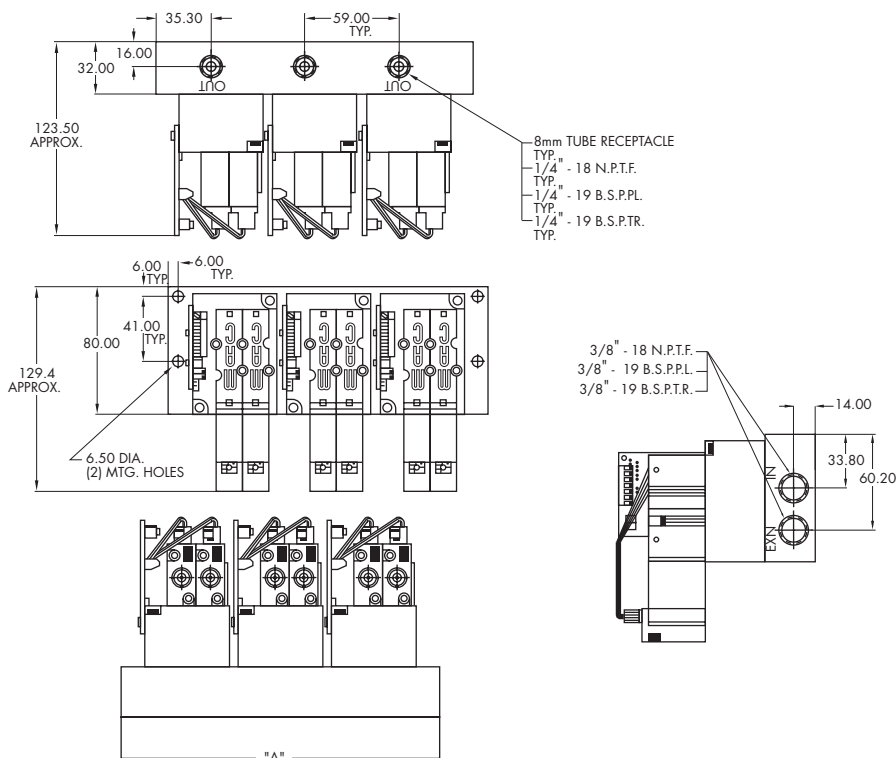
Spacing	Configuration	Style	Output port size
00 59.0mm	A Side output port B Bottom output port	A Standard	A 1/4" NPTF B 1/4" BSPPL C 1/4" BSPTR D 8mm tube receptacle (NPTF commons) E 8mm tube receptacle (BSPPL commons) F 8mm tube receptacle (BSPTR commons)

Common (through) ports on manifold are 3/8"

EXAMPLE : 5 - PPC047A - **ACA - OAGE - BAO - 9**
1 - EPP47A - **00AAA - 05 - 9**

GENERAL DATA		PNEUMATIC DATA	
Ambient temperature :	32 to 120°F/0 to 50°C	Inlet pressure* :	120 PSI max (for 10-100 PSI output pres.) 8 BAR max (for 0.66-6.6 BAR output pres.)
LED indicators :	Red : power on - Green : pressure achieved	Fluids :	Compressed air or inert gases
Vibration :	Not affected	Lubrication :	Not required. However, if used, a medium aniline point oil is recommended
Port size :	8mm tube receptacle, 1/4"	Output pressure :	0 to 10, 30, 45, 60, 100 PSI 0 to 0.66, 2, 3, 4, 6.6 BAR
Connector :	7 pin terminal block	Overall accuracy :	± 1.5% full scale ± 2.5% full scale
Mounting :	Any plane	Flow :	Cv 0.74/740 NI/min
ELECTRICAL DATA		Minimum closed end volume :	5.0 cubic inch - 82 cm ³
Supply voltage :	20.4 to 26.4 VDC	* 20 PSI maximum inlet for 10 PSI output pressure - 1.3 BAR maximum inlet for 0.66 BAR output pressure	
Supply current :	110 to 440mA		
Command signal :	0 to 10V or 4 to 20mA		
Command type :	Single-ended or differential		
Input impedance :	4.99 kΩ ± 1.0% (voltage) 316 Ω ± 0.1% (current)		
Analog Monitor Signal (AMS) :	0 to 10 Volt		
Logic Monitor Signal (LMS) :	2 types of signals (see How to order) (sinking)		
EMI/RFI protection :	Common mode and high frequency noise reduction for electrical inputs		

DIMENSIONS



Number of stations	1	2	3	4	5	6	7	8	9	10	11
"A"	83	142	201	260	319	378	437	496	555	614	673

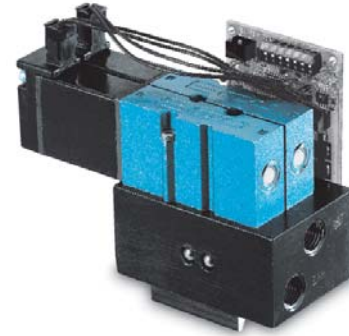


Proportional pressure controller

Port size	Flow [Max] [Cv/Nl/min]	Mounting	Series
1/4"	0.74/740	coverless analog DIN rail mount	

OPERATIONAL BENEFITS

1. Reliable operation, using two MAC 47 Series with balanced poppet.
2. Fast response.
3. Long life.
4. High flow.
5. Low power consumption.
6. Not affected by vibrations.
7. Accurate pressure control.
8. Analog command signal and output.



PPC5C
PPC34B
LCP35A
PPC45B

HOW TO ORDER

BASIC MODEL

PPC047A **X X X - X X X X - X X X**

Type	Type of mounting	Pressure range PSI/BAR	Pressure reference	Accuracy	Command signal	Logic monitor signal	Cover options
A Analog	DA Din rail base 1/4" NPTF side port DB Din rail base 1/4" BSPPL side port DC Din rail base 1/4" BSPTR side port DD Din rail base side 8mm tube receptacle (1/4" NPTF Exh.) DE Din rail base side 8mm tube receptacle (1/4" BSPPL Exh.) DF Din rail base side 8mm tube receptacle (1/4" BSPTR Exh.)	0A 100/6.7 0B 60/4 0C 30/2 0N 10/0.66 0T 45/3	D Differential pressure G Gage pressure Caution: differential pressure must not exceed pressure range.	A ±1.5% F.S. E ±2.5% F.S.	B 0-10v differential D 4-20mA differential	A TTL LMS 1,2 B 24v LMS High on TTL LMS 1 Press. Achieved C 24v LMS Low on TTL LMS Press. Achieved	0 No Cover

PPC47A
PPC400A
PPC92B
PPC93A

GENERAL DATA

Ambient temperature :	32 to 120°F/0 to 50°C
LED indicators :	Red : power on - Green : pressure achieved
Vibration :	Not affected
Port size :	8mm tube receptacle, 1/4"
Connector :	7 pin terminal block
Mounting :	Any plane

ELECTRICAL DATA

Supply voltage :	20.4 to 26.4 VDC
Supply current :	110 to 440mA
Command signal :	0 to 10V or 4 to 20mA
Command type :	Single-ended or differential
Input impedance :	4.99 kΩ ± 1.0% (voltage) 316 Ω ± 0.1% (current)
Analog Monitor Signal (AMS) :	0 to 10 Volt
Logic Monitor Signal (LMS) :	2 types of signals (see How to order) (sinking)
EMI/RFI protection :	Common mode and high frequency noise reduction for electrical inputs

PNEUMATIC DATA

Inlet pressure* :	120 PSI max (for 10-100 PSI output pres.) 8 BAR max (for 0.66-6.6 BAR output pres.)
Fluids :	Compressed air or inert gases
Lubrication :	Not required. However, if used, a medium aniline point oil is recommended
Output pressure :	0 to 10, 30, 45, 60, 100 PSI 0 to 0.66, 2, 3, 4, 6.6 BAR
Overall accuracy :	± 1.5% full scale ± 2.5% full scale
Flow :	Cv 0.74/740 NI/min
Minimum closed end volume :	5.0 cubic inch - 82 cm ³

* 20 PSI maximum inlet for 10 PSI output pressure - 1.3 BAR maximum inlet for 0.66 BAR output pressure

DIMENSIONS

