



# R e m o t e a i r v a l v e s

## Individual mounting

## Series

Inline	Sub-base non "plug-in"
--------	------------------------

**400**

**67**

**69**

**ISO 2**

**ISO 3**



# R e m o t e a i r v a l v e s

Function	Port size	Flow (Max)	Individual mounting	Series
<b>5/2 - 5/3</b>	<b>1/8" - 1/4"</b>	<b>1.0 C<sub>v</sub></b>	Inline	

### OPERATIONAL BENEFITS

1. Balanced spool, immune to variations of pressure, also provides high flow.
2. Bonded spool with minimum friction, shifting in a glass-like finished bore.
3. Wiping effect eliminates sticking.
4. Long service life.
5. Short stroke with high flow.



**400**

**67**

**69**

**ISO 2**

**ISO 3**

### HOW TO ORDER

#### SINGLE PRESSURE VALVES

Pilot air	5/2 Single operator	5/2 Double operator	5/3 Closed center	5/3 Open center	5/3 Pressure center
<b>1/8" NPTF</b>	411A-AOH-RA Mod 1493	421A-AOH-RA	451A-AOH-RA	461A-AOH-RA	471A-AOH-RA
<b>1/4" NPTF</b>	411A-BOH-RA Mod 1493	421A-BOH-RA	451A-BOH-RA	461A-BOH-RA	471A-BOH-RA

#### DUAL PRESSURE VALVES

Port size	5/2 Double operator
<b>1/8" NPTF</b>	441A-AOH-RA
<b>1/4" NPTF</b>	441A-BOH-RA

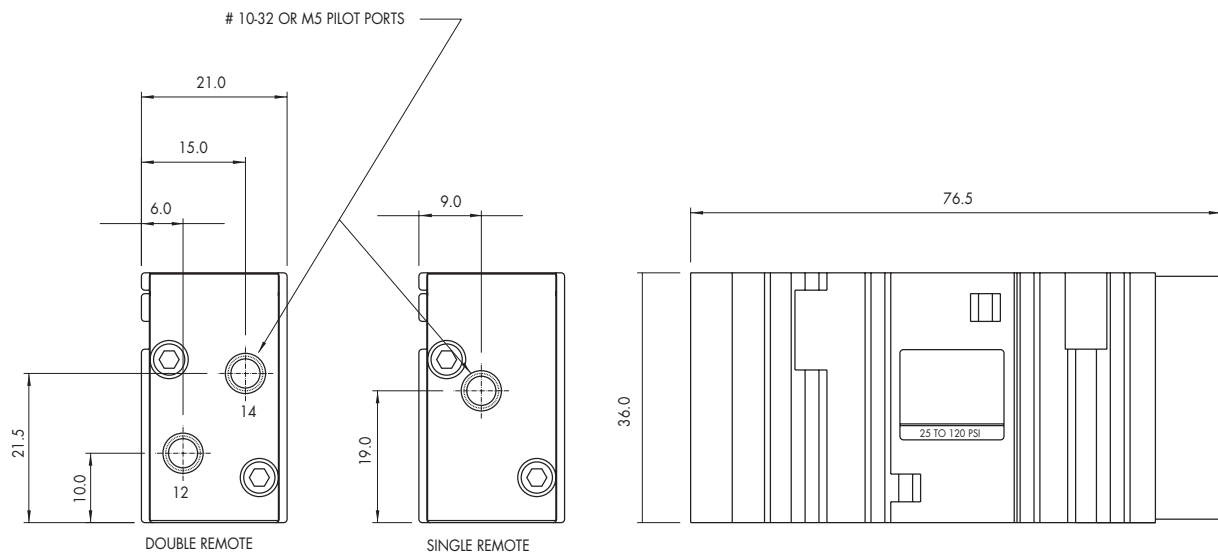
**TECHNICAL DATA**

<b>Fluid :</b>	Compressed air, vacuum, inert gases
<b>Pressure range :</b>	Single operator: vacuum to 100 PSI Double operator: vacuum to 150 PSI
<b>Air signal pressure :</b>	Single oper.: 40 to 150 PSI Double oper., 2 pos.: 20 to 150 PSI, 3 pos.: 35 to 150 PSI
<b>Lubrication :</b>	Not required, if used select a medium aniline point lubricant (between 180°F and 210°F)
<b>Filtration :</b>	40 $\mu$
<b>Temperature range :</b>	0°F to 120°F (-18°C to 50°C)
<b>Flow :</b>	1.0 C <sub>v</sub>
<b>Note :</b>	Air signal must be $\geq$ main valve pressure

Option : • BSPP threads

**DIMENSIONS**

Dimensions shown are metric (mm)





# R e m o t e a i r v a l v e s

Function	Port size	Flow [Max]	Individual mounting	Series
<b>5/2 - 5/3</b>	<b>1/8" - 1/4"</b>	<b>1.0 C<sub>v</sub></b>	Sub-base non "plug-in"	

### OPERATIONAL BENEFITS

1. Balanced spool, immune to variations of pressure, also provides high flow.
2. Bonded spool with minimum friction, shifting in a glass-like finished bore.
3. Wiping effect eliminates sticking.
4. Long service life.
5. Short stroke with high flow.



**400**

**67**

**69**

**ISO 2**

**ISO 3**

### HOW TO ORDER

#### SINGLE PRESSURE VALVES

Port size	5/2 Single operator	5/2 Double operator	5/3 Closed center	5/3 Open center	5/3 Pressure center
<b>Valve less base</b>	413A-00H-RA	423A-00H-RA	453A-00H-RA	463A-00H-RA	473A-00H-RA
<b>1/8" NPTF</b>	413A-AAH-RA Mod 1493	423A-AAH-RA	453A-AAH-RA	463A-AAH-RA	473A-AAH-RA
<b>1/4" NPTF</b>	413A-BAH-RA Mod 1493	423A-BAH-RA	453A-BAH-RA	463A-BAH-RA	473A-BAH-RA

#### DUAL PRESSURE VALVES

Port size	5/2 Double operator
<b>1/8" NPTF</b>	443A-AAH-RA
<b>1/4" NPTF</b>	443A-BAH-RA

### OPTIONS

423A-AAH-RA

**B** for base with flow controls

**TECHNICAL DATA**

<b>Fluid :</b>	Compressed air, vacuum, inert gases
<b>Pressure range :</b>	Single operator: vacuum to 100 PSI Double operator: vacuum to 150 PSI
<b>Air signal pressure :</b>	Single oper.: 40 to 150 PSI Double oper., 2 pos.: 20 to 150 PSI, 3 pos.: 35 to 150 PSI
<b>Lubrication :</b>	Not required, if used select a medium aniline point lubricant (between 180°F and 210°F)
<b>Filtration :</b>	40 $\mu$
<b>Temperature range :</b>	0°F to 120°F (-18°C to 50°C)
<b>Flow :</b>	1.0 C <sub>v</sub>
<b>Note :</b>	Air signal must be $\geq$ main valve pressure

- Options :
- BSPP threads
- Spare parts :
- Valve to base pressure seal: 16525
  - Valve mounting screw (x2): 35043
  - Flow control assembly (x2): N-04001

**DIMENSIONS**

Dimensions shown are metric (mm)

